

Figure 1, Pump Assembly

Repair Parts List for Figure 1

Item	Part Number	Qty.	Description	Item	Part Number	Qty.	Description
1	Pump unit Assembly (see Fig. 2) Not sold separately—order complete pump.			6	★B1246503	1	O-ring
2	★B1135517	1	Square Ring Seal	7	U010201020	1	End Cap (anodized)
3	★DA3729900SR	1	Filter Assembly	8	★B1009503	1	O-ring
4	U010201025	1	Reservoir	9	★DA10722108	1	Washer
5	DA9159107	1	Tie Rod	10	U042072055	1	Acorn Nut
				11	CT2588900	1	Filler Plug Assembly

★ Items included in and available only as part of Repair Kit P392ALSSK.

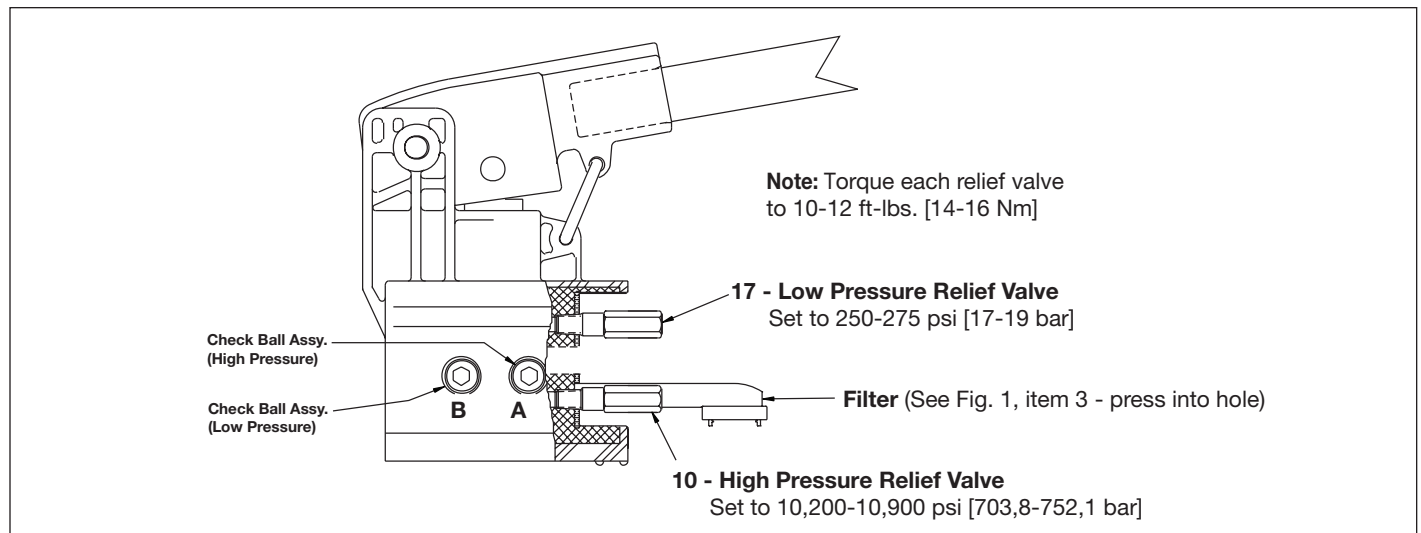


Figure 2, Pumping Unit Assembly (See parts list on page 2)

Enerpac Worldwide Locations

Australia and New Zealand

Actuant Australia Ltd.
P.O. Box 6887, Wertheim Park, NSW 1851
Block V Unit 3, Regents Park Estate
391 Park Road, Regents Park NSW 2143
Australia
T +61 287 177 200
F +61 297 438 648
sales-au@enerpac.com

Brazil

Power Packer do Brasil Ltda.
Rua Luiz Lawrie Reid, 548
0930-760 - Diadema (SP) - Brazil
T +55 11 5687 2211
F +571 (0)4 8872687
vendabrasil@enerpac.com

China (Taicang)

Actuant (China) Industries Co. Ltd.
No.6 Nanjing East Road,
Taicang Economic Dep Zone
Jiangsu, China
T +86 0512 5328 7500
F +86 0512 5335 9690
Toll Free: +86 400 885 0369
sales-cn@enerpac.com

France, Switzerland, North Africa and French speaking African countries

ENERPAC
Une division d'Actuant France S.A.S.
Zone Orlytech Bâtiment 516
1 allée du commandant Mouchotte
CS 40351
91550 Paray-Vieille-Poste
France
T +33 1 60 13 68 68
F +33 1 69 20 37 50
sales-fr@enerpac.com

Germany and Austria

Actuant GmbH
P.O. Box 300113
D-40401 Düsseldorf
Willstätterstrasse 13
D-40549 Düsseldorf, Germany
T +49 211 471 490
F +49 211 471 49 28
sales-de@enerpac.com

India

Actuant India Private Limited
No. 10, Bellary Road, Sedashivanagar,
Bangalore, Karnataka 560 080
India
T +91 80 3928 9000
info@enerpac.co.in

Italy

ENERPAC S.p.A.
Via Canova 4
20094 Corsico (Milano)
T +39 02 4861 111
F +39 02 4860 1288
sales-it@enerpac.com

Japan

Applied Power Japan LTD KK
Besshocho 85-7
Kita-ku, Saitama-shi 331-0821, Japan
T +81 48 662 4911
F +81 48 662 4955
sales-jp@enerpac.com

Middle East, Egypt and Libya

ENERPAC Middle East FZE
Office 423, LOB 15
P.O. Box 18004, Jebel Ali, Dubai
United Arab Emirates
T +971 (0)4 8872686
F +971 (0)4 8872687
sales-uae@enerpac.com

Norway

Sales Office Norway
Unit 524, Nidalsveien 28, 0484 Oslo
P.O. Box 4814, Nydalen 0422 Oslo
Norway
Tel: +47 91 578 300
insidesalesnorway@enerpac.com

Russia

Rep. office Enerpac
Russian Federation
Admiral Makarova Street 8
125212 Moscow, Russia
T +7 495 98090 91
F +7 495 98090 92
sales-ru@enerpac.com

Southeast Asia, Hong Kong and Taiwan

Actuant Asia Pte Ltd.
83, Joo Koon Circle
Singapore 629109
T +65 68 63 0611
F +65 64 84 5669
Toll Free: +1800 363 7722
sales-sg@enerpac.com

South Korea

Actuant Korea Ltd.
3Ba 717, Shihwa Industrial Complex
Jungwang-Dong, Shihung-Shi,
Kyunggi-Do
Republic of Korea 429-450
T +82 31 434 4506
F +82 31 434 4507
sales-kr@enerpac.com

Spain and Portugal

ENERPAC SPAIN, S.L.
Avda. Valdeaparra N° 27, 3° -L8
28108 Alcobendas (Madrid), Spain
T +34 91 884 86 06
F +34 91 884 86 11
sales-es@enerpac.com

Sweden, Denmark, Finland and Iceland

Enerpac Scandinavia AB
Kopparlundsvägen 14,
721 30 Västerås
Sweden
T +46 (0) 771 41 50 00
scandinavianinquiries@enerpac.com

◆ internet: www.enerpac.com

◆ e-mail: info@enerpac.com

The Netherlands, Belgium, Luxembourg,

Central and Eastern Europe, Baltic States, Greece, Turkey and CIS countries
ENERPAC B.V.
Galvanstraat 115, 6716 AE Ede
P.O. Box 8097, 6710 AB Ede
The Netherlands
T +31 318 535 9111
F +31 318 535 848
sales-nl@enerpac.com

Enerpac Integrated Solutions B.V.

Spinelstraat 15, 7554 TS Hengelo
P.O. Box 421, 7550 AK Hengelo
The Netherlands
T +31 74 242 20 45
F +31 74 243 03 38
integratedsolutions@enerpac.com

South Africa and other English speaking African countries

Enerpac Africa Pty Ltd.
No. 5 Baurhinia Avenue
Cambridge Office Park
Block E
Highveld Techno Park
Centurion 0157
Republic of South Africa
T: +27 12 940 0656
sales-za@enerpac.com

United Kingdom and Ireland

ENERPAC UK Ltd.
5 Coopers Field
Morpeth, Northumberland
NE1 5JR, England
T +44 1670 5010 00
sales-uk@enerpac.com

USA, Latin America and Caribbean

ENERPAC World Headquarters +27 12
P.O. Box 3241
Milwaukee WI 53201-3241 USA
N86 W12500 Westbrook Crossing
Menomonee Falls, Wisconsin 53051
T +1 262 293 1600
F +1 262 293 7036
User inquiries:
T +1 800 433 2766
Distributor inquiries/orders:
T +1 800 558 0530
F +1 800 628 0490

Technical inquiries:

techservices@enerpac.com
sales-us@enerpac.com

All Enerpac products are guaranteed against defects in workmanship and materials for as long as you own them.

For the location of your nearest authorized Enerpac Service Center, visit us at www.enerpac.com

053116

Repair Parts List for Figures 2 and 3

Item	Part Number	Qty.	Description
1	Not available as service part		Pump Base
2	F370245-1	2	Pipe Plug
3	★ DA1176210	2	Conical Spring
4	★ B1009016	2	5/16" Ball
5	★ B1006016	3	7/32" Ball
6	U042072902	1	Release Valve Spindle
7	★ U042072028	1	Button Head Cap Screw
8	★ B1007503	1	O-ring
9	CR333040SR	1	Plunger Assembly
10	DA8802900SR	1	High Pressure Relief Valve Assy.
11	★ U042072108	1	Washer, Stainless Steel
12	★ B1011803(+)	1	O-ring
13	★ B1011564(+)	1	Back-Up Washer
14	★ B1119803	1	O-ring
15	★ CR188564	1	Back-up Washer
17	DA5493900SR	1	Low Pressure Relief Valve Assy.
19	CL918900	1	Beam/Handle
20	DC5655061(+)	1	Beam Pin (stainless)
21	★ DC5658349(+)	2	Retaining Ring (stainless)
22	DC5657061	1	Beam Pin (stainless)
23	DC5659061	1	Locking Pin (stainless)
24	★ DC5656110	1	Spring (stainless)
25	★ DC5660044	1	Push-on Ring (stainless)
50	★ DA3702020	2	Spring Cap
52	★ DA4896446(+)	1	Sleeve Protector
53	★ DC7364776	1	Wiper

★ Items included in and available only as part of Repair Kit P392ALSSK.

(+) Items included as part of the plunger assembly (Item 9).

Note: Item 52 is not shown.

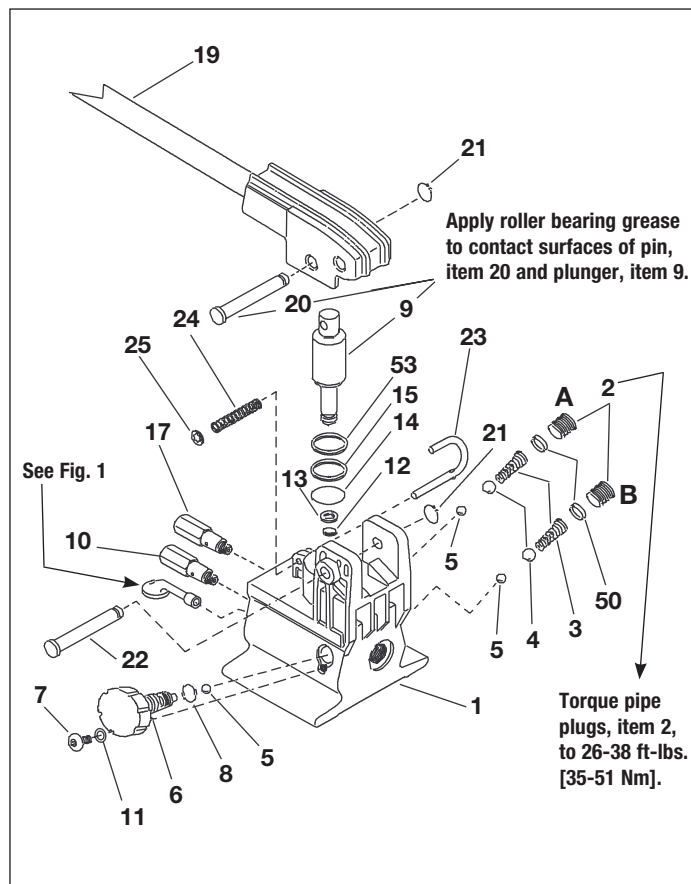


Figure 3, Exploded View, Pumping Unit Assembly