

▼ Shown: P392FP



P Series

Reservoir Capacity:

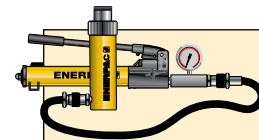
38 in³

Flow at Rated Pressure:

0.151 in³/stroke

Maximum Operating Pressure:

10,000 psi



Pump and Cylinder Sets

The P392FP is available as **sets** (pump, cylinder, gauge, couplers and hose) for your ordering convenience.

Page: 92

- Robust, durable and compact
 - Steel frame for maximum stability
 - Steel pumping handle
 - Aluminum reservoir
- Foot pedal lock and lightweight construction for portability
- Two-speed operation reduces foot pedal strokes
- Large foot-pad release valve for controlling load descent
- Internal pressure relief valve for overload protection

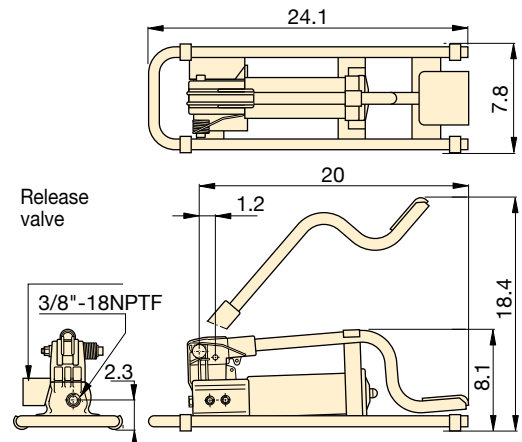


Hoses

Enerpac offers a complete line of high-quality hydraulic hoses. To ensure the integrity of your system, specify only genuine Enerpac hydraulic hoses.

Page: 148

▼ P392FP offers the advantage of hands-free operation to handle and control the tool or cylinder.



Usable Oil Capacity (in ³)	Model Number	Pressure Rating (psi)		Oil Displacement per Stroke (in ³)		Max. Handle Effort (lbs)	Piston Stroke (in)	Weight (lbs)
		1st stage	2nd stage	1st stage	2nd stage			
30	P392FP *	200	10,000	0.687	0.151	125	1	16

* Available as set, see note on this page.