

Specifications

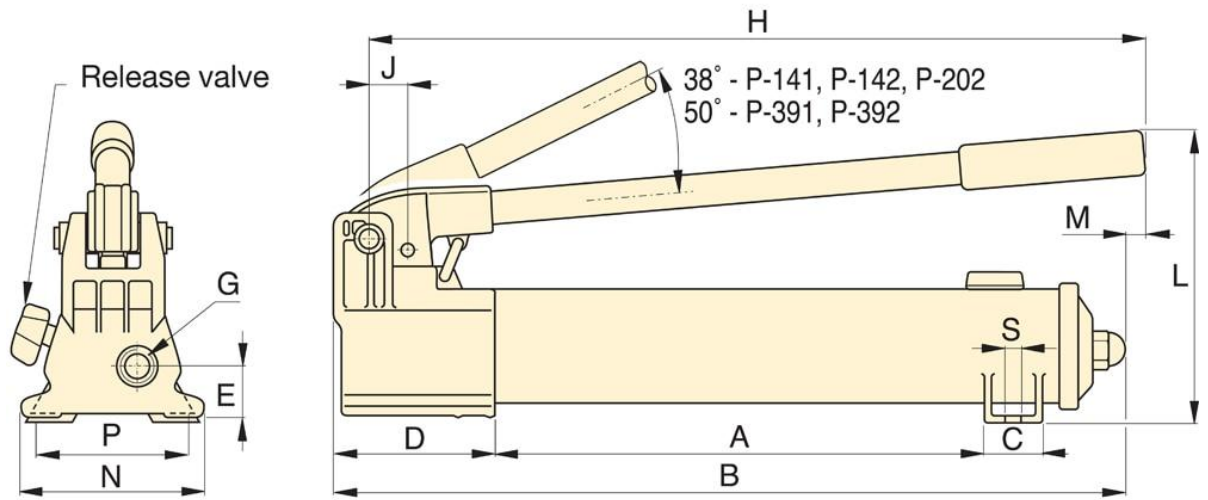
Units: Imperial Metric

Maximum Operating Pressure (psi)	10,000
Pressure Rating (psi) 1st Stage	200
Pressure Rating (psi) 2nd Stage	10,000
Cylinder Compatability	Single-acting
Pump Type	Two Speed
Reservoir Capacity (in ³)	55
Usable Oil Capacity (in ³)	55
Maximum Flow at Rated Pressure	.151 in ³ /stroke
Oil Displacement per Stroke (in ³) 1st Stage	0.687
Oil Displacement per Stroke (in ³) 2nd Stage	0.151
Maximum Handle Effort (lbs)	93
Piston Stroke (in)	1
Valve Operation	Manual
Power Source	Manual
Weight (lbs)	9

Dimensions

Units: Imperial Metric

Dimension A (in)	13.56
Dimension B (in)	21
Dimension C (in)	1.44
Dimension D (in)	3.93
Dimension E (in)	1.31
Dimension G (in)	3/8" - 18 NPTF
Dimension H (in)	20.56
Dimension J (in)	1.19
Dimension L (in)	7
Dimension M (in)	0.63



P-141, P-142, P-202, P-391, P-392