

IMPORTANT RECEIVING INSTRUCTIONS

Visually inspect all components for shipping damage. If any shipping damage is found, notify carrier at once. Shipping damage is NOT covered by warranty. The carrier is responsible for all repair or replacement costs resulting from damage in shipment.

SAFETY INFORMATION

To avoid personal injury or property damage during system operation, read and follow all CAUTIONS, WARNINGS, and INSTRUCTIONS, included with or attached to each product. ENERPAC CANNOT BE RESPONSIBLE FOR DAMAGE OR INJURY RESULTING FROM UNSAFE USE OF PRODUCT, LACK OF MAINTENANCE, OR INCORRECT PRODUCT AND SYSTEM APPLICATION. Contact Enerpac when in doubt as to safety precautions or applications.

DESCRIPTION

PC Series tank return kits contain the items required to adapt selected ENERPAC hand pumps to a system using 3-way valves, 4-way valves, or relief valves. The added items allow an oil return line to be connected from the valve to the pump reservoir.

- Each kit consists of :
- 1 New Slotted Tie Rod
 - 1 Pipe Adapter
 - 1 New Copper Gasket
 - 1 Pipe Plug (with O-Ring)

Note: The pipe plug is used only if the pump is operated with the oil return line disconnected.

MODEL AND KIT INFORMATION

| Hand Pump Model: | Tank Return Kit Number: |
|----------------------------|--------------------------------|
| P-18 (Ultima) | PC-19 |
| P-141, P-142 | PC-20 |
| P-39 (Ultima) | PC-21 |
| P-77 (Ultima) | PC-22 |
| P-80, P-801, P-84 (Ultima) | PC-25 |
| P-391, P-392 | PC-25 |

Notes:

- Kits PC-19, PC-21, PC-22 and PC-25 can be used only with *Ultima* P-Series steel hand pumps. These kits will not fit earlier P-Series pumps.
- *Ultima* P-80 and P-801 pumps include a built-in tank return port. However, if desired, the PC-25 tank return kit can be installed on these pump models.

INSTALLATION

Note: Refer to Figure 1 for pump models P-141, P-142, P-391 and P-392.
Refer to Figure 2 for Ultima pump models P-18, P-39, P-77, P-80, P-801 and P-84.

1. Remove fill cap and drain oil from reservoir.
2. Remove end cap acorn nut (not shown) and copper gasket. Discard copper gasket.
3. Pull end cap from reservoir. Use caution to avoid damaging reservoir and end cap gaskets. If possible, leave reservoir and pump base together.
4. Unthread the existing tie rod from the pump base.
5. Position the new slotted tie rod into the base center hole. The slot faces the rear of the pump. Thread the rod three full turns into the base. Use caution to avoid damaging the pump filter which extends from the base into the reservoir.
6. Be sure the end cap gasket is in the cap. Slide the end cap over the tie rod and secure by installing the new copper gasket and the pipe adapter.

Note: Tie rod end of pipe adapter is a 7/16-14 UNC, SAE straight thread.
Return line end of pipe adapter is a 7/16-20 UNF, SAE straight thread.
7. Tighten pipe adapter to 15-20 ft-lbs [20-27 Nm].
8. Connect the valve return line. If the pump is to be used without a return line, install the pipe plug (with O-ring) into the pipe adapter.
9. Refill reservoir with oil and reinstall fill cap. Be sure there are no oil leaks.

Figure 1

P-141, P-142, P-391, P-392

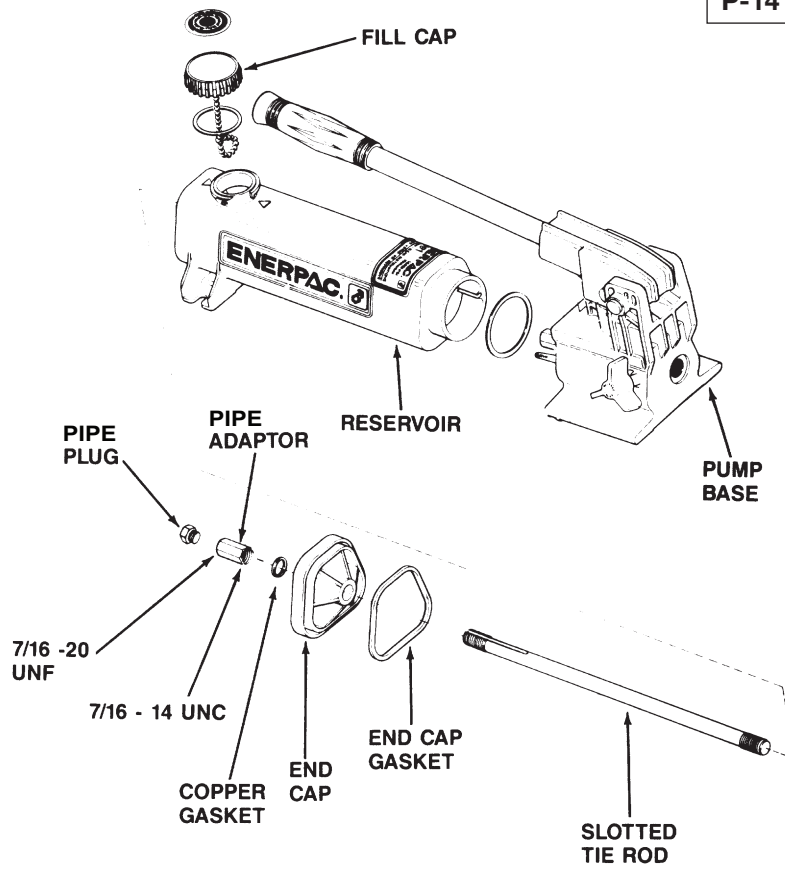
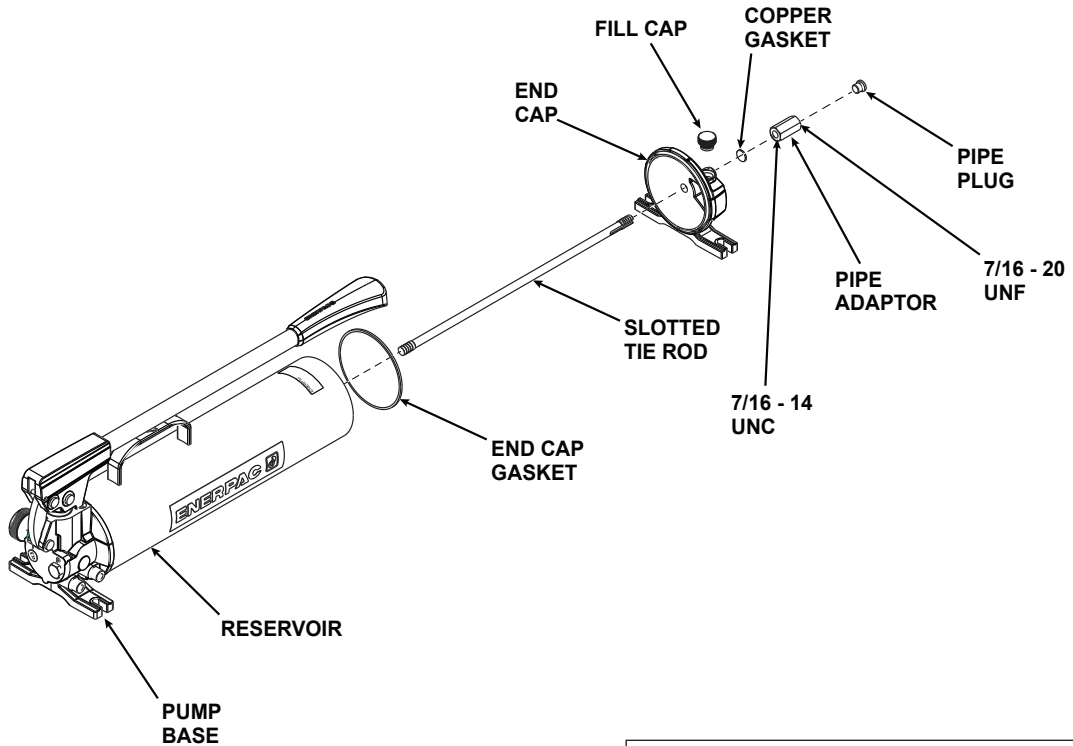


Figure 2



Ultima P-18, P-39, P-77, P-80, P-801, P-84

Enerpac Worldwide Locations

◆ e-mail: info@enerpac.com

◆ internet: www.enerpac.com

Australia and New Zealand

Actuant Australia Ltd.
Block V Unit 3
Regents Park Estate
391 Park Road
Regents Park NSW 2143
(P.O. Box 261) Australia
T +61 (0)2 9743 8988
F +61 (0)2 9743 8648
sales-au@enerpac.com

Brazil

Power Packer do Brasil Ltda.
Rua Luiz Lawrie Reid, 548
09930-760 - Diadema (SP) - Brazil
T +55 11 5525 2311
Toll Free: 0800 891 5770
ventasbrasil@enerpac.com

Canada

Actuant Canada Corporation
6615 Ordan Drive, Unit 14-15
Mississauga, Ontario L5T 1X2
T +1 905 564 5749
F +1 905 564 0305
Toll Free:
T +1 800 268 4987
F +1 800 461 2456
customer.service@actuant.com

China

Actuant (China) Industries Co. Ltd.
No. 6 Nanjing East Road,
Taicang Economic Dep Zone
Jiangsu, China
T +86 0512 5328 7500
F +86 0512 5335 9690
Toll Free: +86 400 885 0369
sales-cn@enerpac.com

France, Switzerland, North Africa and French speaking African countries

ENERPAC
Une division d'ACTUANT France S.A.
ZA de Courtaboeuf
32, avenue de la Baltique
91140 VILLEBON /YVETTE
France
T +33 1 60 13 68 68
F +33 1 69 20 37 50
sales-fr@enerpac.com

Germany and Austria

ENERPAC GmbH
P.O. Box 300113
D-40401 Düsseldorf
Willstätterstrasse 13
D-40549 Düsseldorf, Germany
T +49 211 471 490
F +49 211 471 49 28
sales-de@enerpac.com

India

ENERPAC Hydraulics Pvt. Ltd.
No. 1A, Peenya Industrial Area
IInd Phase, Bangalore, 560 058, India
T +91 80 40 792 777
F +91 80 40 792 792
sales-in@enerpac.com

Italy

ENERPAC S.p.A.
Via Canova 4
20094 Corsico (Milano)
T +39 02 4861 111
F +39 02 4860 1288
sales-it@enerpac.com

Japan

Applied Power Japan LTD KK
Besshocho 85-7
Kita-ku, Saitama-shi 331-0821, Japan
T +81 48 662 4911
F +81 48 662 4955
sales-jp@enerpac.com

Middle East, Egypt and Libya

ENERPAC Middle East FZE
Office 423, LOB 15
P.O. Box 18004, Jebel Ali, Dubai
United Arab Emirates
T +971 (0)4 8872686
F +971 (0)4 8872687
sales-ua@enerpac.com

Russia

Rep. office Enerpac
Russian Federation
Admirala Makarova Street 8
125212 Moscow, Russia
T +7 495 98090 91
F +7 495 98090 92
sales-ru@enerpac.com

Southeast Asia, Hong Kong and Taiwan

Actuant Asia Pte Ltd.
83 Joo Koon Circle
Singapore 629109
T +65 68 63 0611
F +65 64 84 5669
Toll Free: +1800 363 7722
sales-sg@enerpac.com

South Korea

Actuant Korea Ltd.
3Ba 717, Shihwa Industrial Complex
Jungwang-Dong, Shihung-Shi,
Kyunggi-Do
Republic of Korea 429-450
T +82 31 434 4506
F +82 31 434 4507
sales-kr@enerpac.com

Spain and Portugal

ENERPAC SPAIN, S.L.
Avda. Los Frailes, 40 – Nave C & D
Pol. Ind. Los Frailes
28814 Daganzo de Arriba
(Madrid) Spain
T +34 91 884 86 06
F +34 91 884 86 11
sales-es@enerpac.com

Sweden, Denmark, Norway, Finland and Iceland

Enerpac Scandinavia AB
Fabriksgatan 7
412 50 Gothenburg
Sweden
T +46 (0) 31 799 0281
F +46 (0) 31 799 0010
scandinavianinquiries@enerpac.com

The Netherlands, Belgium, Luxembourg, Central and Eastern Europe, Baltic States, Greece, Turkey and CIS countries

ENERPAC B.V.
Galvanistraat 115
6716 AE Ede
P.O. Box 8097
6710 AB Ede
The Netherlands
T +31 318 535 911
F +31 318 535 848
sales-nl@enerpac.com

Enerpac Integrated Solutions B.V.

Opaalstraat 44
7554 TS Hengelo
P.O. Box 421
7550 AK Hengelo
The Netherlands
T +31 74 242 20 45
F +31 74 243 03 38
integratedsolutions@enerpac.com

South Africa and other English speaking African countries

Enerpac Africa Pty Ltd.
No. 5 Bauhinia Avenue
Cambridge Office Park
Block E
Highveld Techno Park
Centurion 0157
South Africa
T: +27 12 940 0656

United Kingdom and Ireland

ENERPAC UK Ltd.
5 Coopies Field
Morpeth, Northumberland
NE61 6JR, England
T +44 (0)121 50 50 787
F +44 (0)121 50 50 799
sales-uk@enerpac.com

USA, Latin America and Caribbean

ENERPAC
P.O. Box 3241
Milwaukee WI 53201 USA
T +1 262 293 1600
F +1 262 293 7036
User inquiries:
T +1 800 433 2766
Distributor inquiries/orders:
T +1 800 558 0530
F +1 800 628 0490
Technical inquiries:
techservices@enerpac.com
sales-us@enerpac.com

All Enerpac products are guaranteed
against defects in workmanship and
materials for as long as you own them.

For the location of your nearest authorized
Enerpac Service Center, visit us at
www.enerpac.com

121313