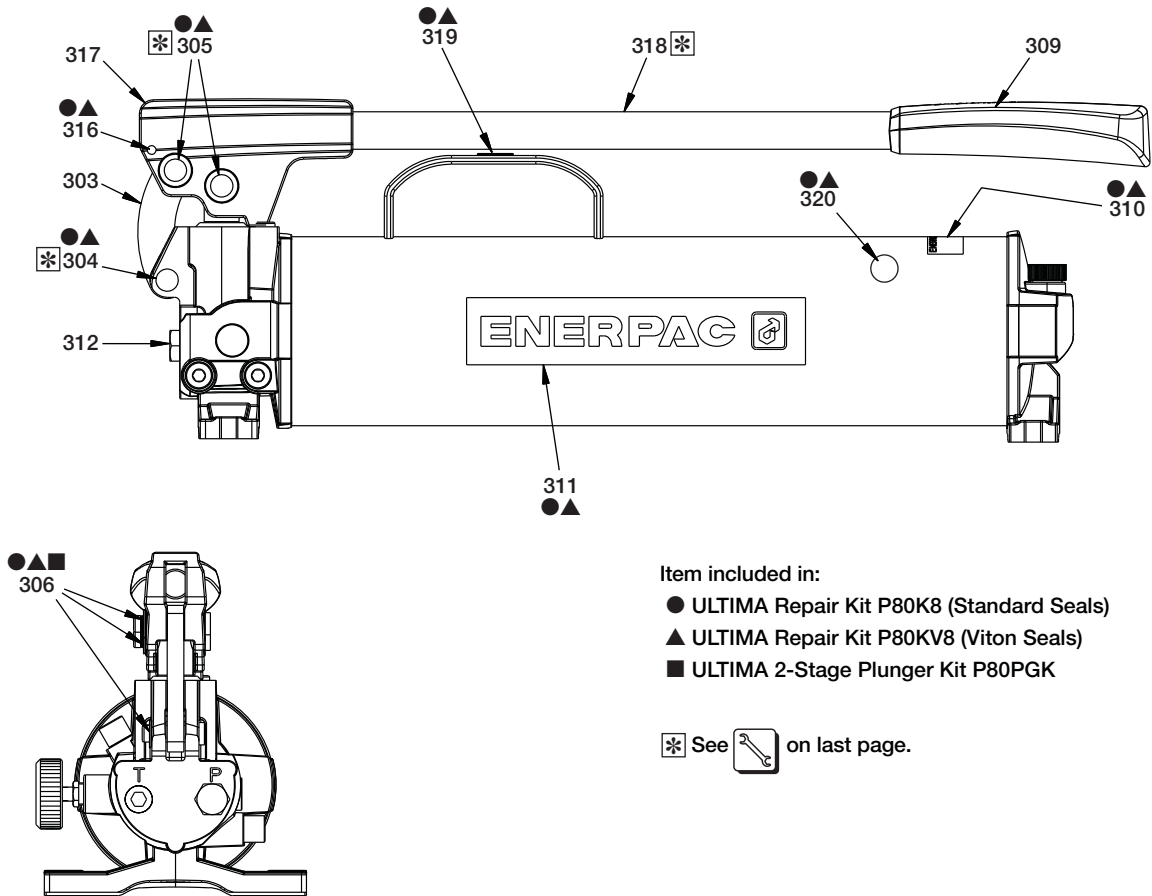


Repair Parts Sheet	Revision	Revision Date	Product Code Beginning
L3073	F	06/2015	J

Fig. 1, Beam, Handle and Labels



Item included in:

- ULTIMA Repair Kit P80K8 (Standard Seals)
- ▲ ULTIMA Repair Kit P80KV8 (Viton Seals)
- ULTIMA 2-Stage Plunger Kit P80PGK

* See  on last page.

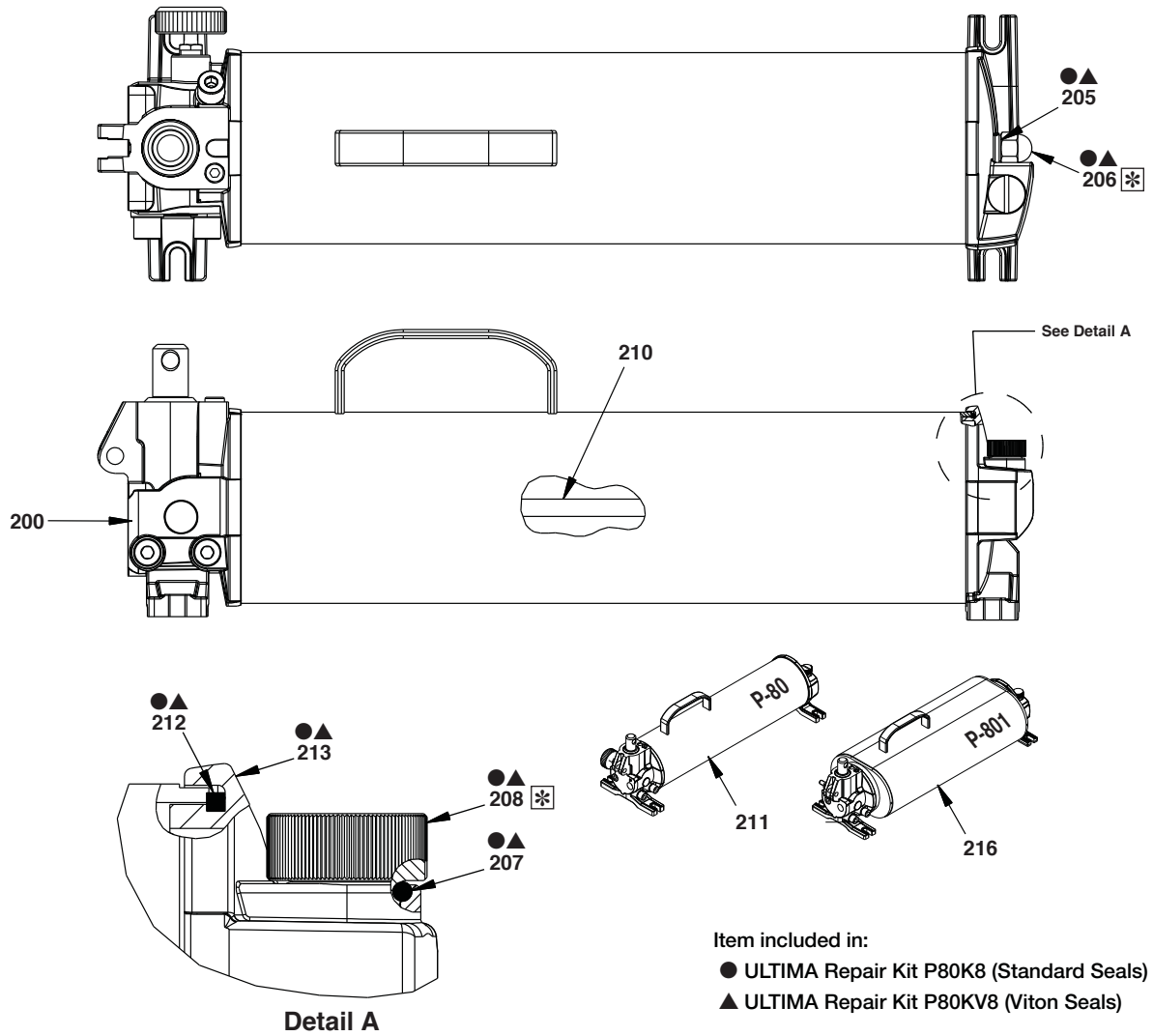
Repair Parts List, Fig. 1

L3073

Item	Part Number	Qty.	Description	Item	Part Number	Qty.	Description
303	DD1634062	1	Linkage	312	R515245-2	1	Plug, Shipping
304	●▲DD1649061	1	Pin	316	●▲CCA0529057-1A	1	Spring Pin, M5, 30 mm
305	●▲DD1650061	2	Pin	317	DD1642900	1	Beam Subassembly (includes item 316)
306	●▲■CB415044	3	Retaining Ring	318	DD2539070	1	Tubing, Handle
309	DX4160550	1	Grip, Handle	319	●▲ DD2589226	1	Decal, Warning
310	●▲DD2537026	1	Decal, Product Spec	320	●▲ DC7887026	1	Decal, Read Instruction
311	●▲DD3045026	2	Decal, Enerpac				

IMPORTANT: Shaded items are available only in kits (not sold separately).

Fig. 2, Pump Reservoir



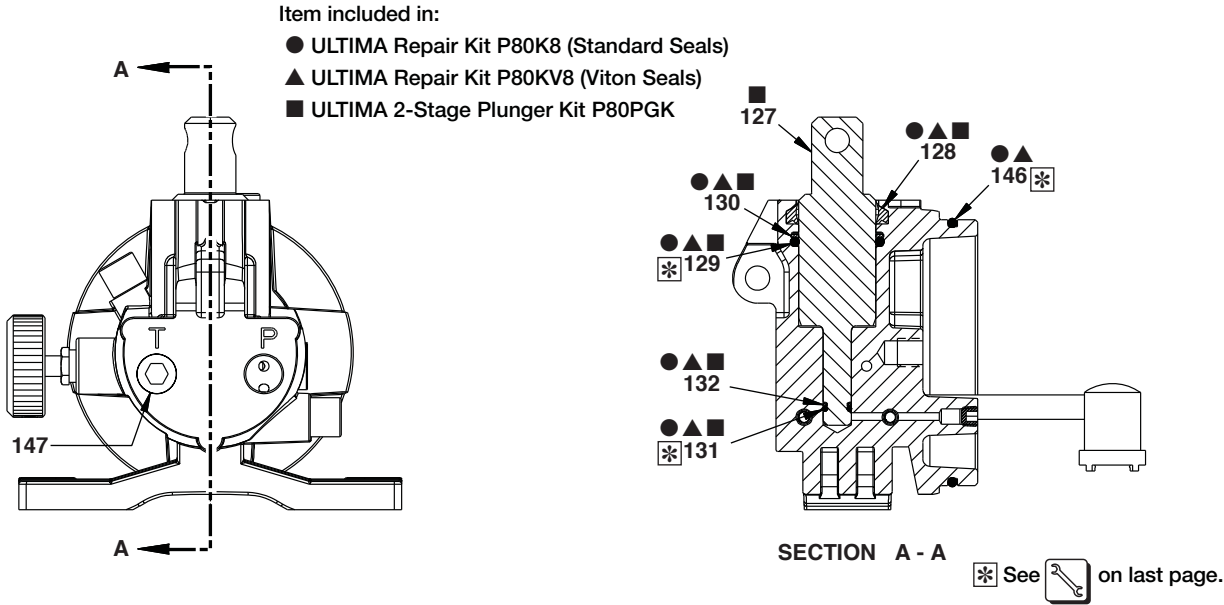
Repair Parts List, Fig. 2

L3073

Item	Part Number	Qty.	Description	Item	Part Number	Qty.	Description
200	(See Figs. 3 through 8)	1	Pump Head (Not sold as subassembly)	210	CL127149	1	Tie Rod
205	●▲CB813167	1	Copper Gasket	211	DD1644025	1	Reservoir (P-80 only)
206	●▲CL341055	1	Acorn Nut, 0.438-14	212	●B1155517	1	Square Ring, -155 (Std.)
207	●B1010503	1	O-Ring, Size -112 (Std.)		▲B1155518	1	Square Ring, -155 (Viton)
	▲B1112203	1	O-Ring, Size -112 (Viton)	213	DD3077020	1	End Cap
208	●▲DD3063009	1	Plug, Oil Fill	216	DX4652500	1	Reservoir (P-801 only)

IMPORTANT: Shaded items are available only in kits (not sold separately).

Fig. 3, Plunger Assembly



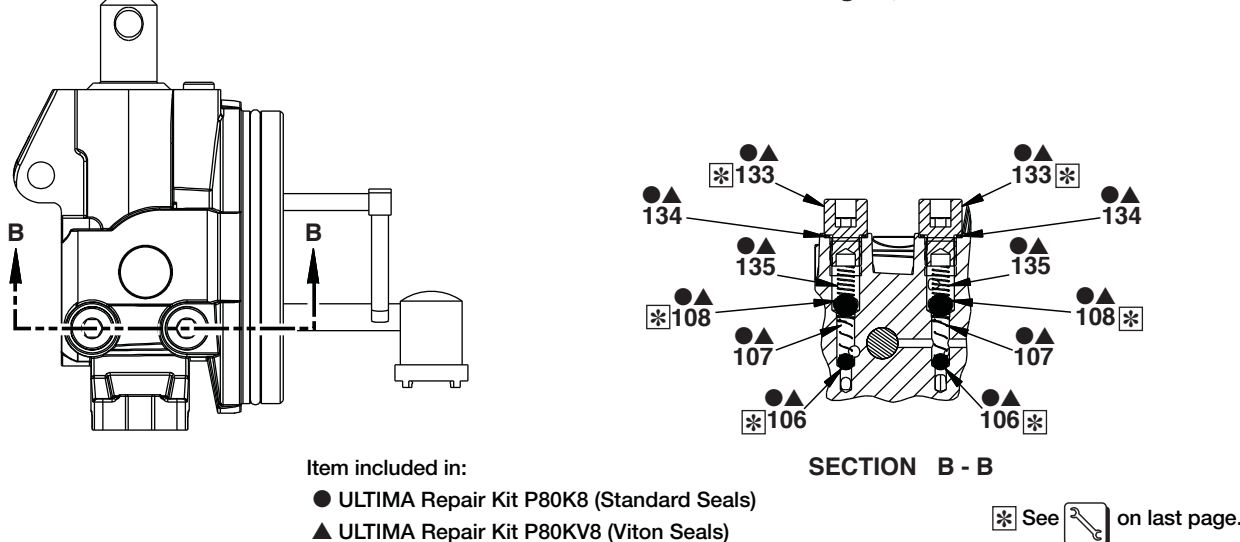
Repair Parts List, Fig. 3

L3073

Item	Part Number	Qty.	Description	Item	Part Number	Qty.	Description
127	■ DD1609051	1	Plunger, P80/P801	131	●■ B1011803	1	O-Ring, Size -011 (Std.)
128	●▲■ DX4162044	1	Wiper		▲ B1011203	1	O-Ring, Size -011 (Viton)
129	●■ B1022503	1	O-Ring, Size -217 (Std.)	132	●▲■ B1011564	1	Back-up Ring
	▲ B1217203	1	O-Ring, Size -217 (Viton)		● B1106503	1	O-Ring, Size -240 (Std.)
130	●▲■ B1217565	1	Back-up Ring, Size -217	146	▲ B1240203	1	O-Ring, Size -240 (Viton)
					147	A1009245	1

IMPORTANT: Shaded items are available only in kits (not sold separately).

Fig. 4, Check Ball Assemblies



Item included in:

- ULTIMA Repair Kit P80K8 (Standard Seals)
- ▲ ULTIMA Repair Kit P80KV8 (Viton Seals)

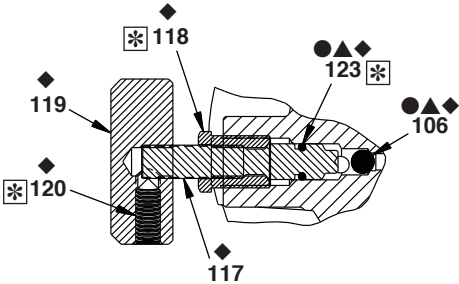
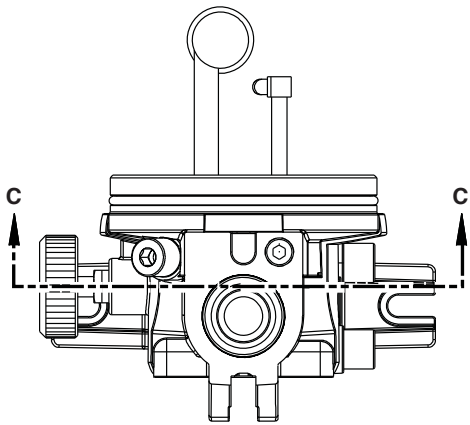
Repair Parts List, Fig. 4

L3073

Item	Part Number	Qty.	Description	Item	Part Number	Qty.	Description
106	●▲ B1006016	2	Ball, 7/32" Dia	133	●▲ DD2538185	2	Plug
107	●▲ A8197110	2	Spring	134	●▲ B159167	2	Gasket
108	●▲ B1009016	2	Ball, 5/16" Dia.	135	●▲ S1183	2	Spring

IMPORTANT: Shaded items are available only in kits (not sold separately).

Fig. 5, Release Valve Assembly



- Item included in:
- ULTIMA Repair Kit P80K8 (Standard Seals)
 - ▲ ULTIMA Repair Kit P80KV8 (Viton Seals)
 - ◆ ULTIMA Release Valve Kit P39RVK

SECTION C - C

* See  on last page.

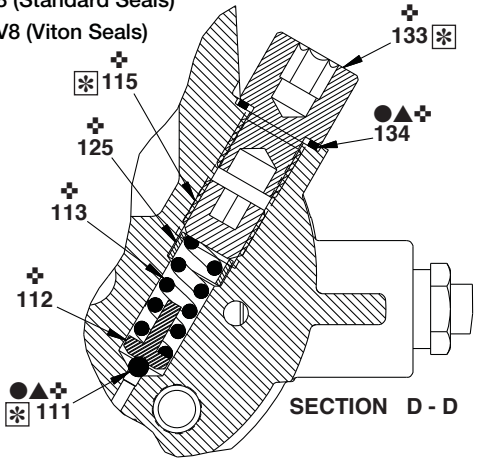
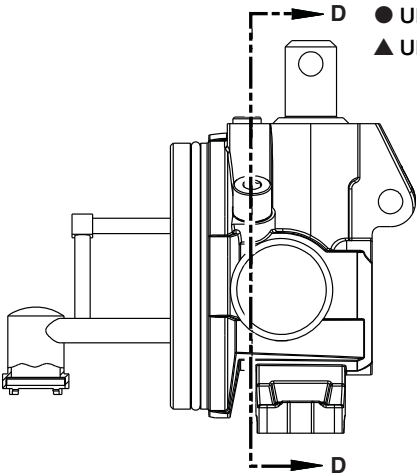
Repair Parts List, Fig. 5

L3073

Item	Part Number	Qty.	Description	Item	Part Number	Qty.	Description
106	●▲◆ B1006016	1	Ball, 7/32" Dia.	119	◆ DX4452147	1	Knob, Release Valve
117	◆ DD3030040	1	Spindle	120	◆ DD3082028	1	Set Screw, M6 x 1 x 16 mm
118	◆ DD2747225	1	Cartridge	123	●◆ B1004503	1	O-Ring, Size -009 (Std.)
119	◆ DX4452147	1	Knob, Release Valve		▲◆ B1009203	1	O-Ring, Size -009 (Viton)

IMPORTANT: Shaded items are available only in kits (not sold separately).

Fig. 6, Relief Valve Assembly



- Item included in:
- ⊕ ULTIMA Repair Kit P80SFK
 - ULTIMA Repair Kit P80K8 (Standard Seals)
 - ▲ ULTIMA Repair Kit P80KV8 (Viton Seals)

SECTION D - D

* See  on last page.

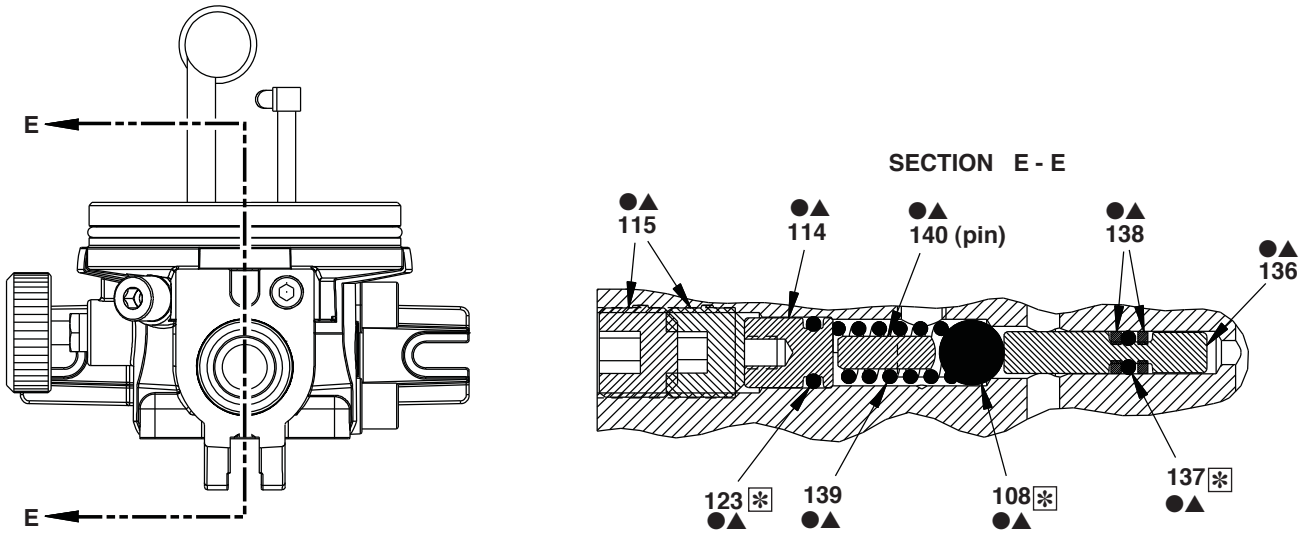
Repair Parts List, Fig. 6

L3073

Item	Part Number	Qty.	Description	Item	Part Number	Qty.	Description
111	●▲⊕ B1003016	1	Ball, 1/8" Dia	125	⊕ DD3075186	1	Spacer
112	⊕ A8038570	1	Ball Cap	133	⊕ DD2538185	1	Plug
113	⊕ A8126110	1	Spring	134	●▲⊕ B159167	1	Gasket
115	⊕ DC10131048	1	Set Screw, .437-20 x .38				

IMPORTANT: Shaded items are available only in kits (not sold separately).

Fig. 7, Bypass Valve Assembly



Item included in:

- ULTIMA Repair Kit P80K8 (Standard Seals)
- ▲ ULTIMA Repair Kit P80KV8 (Viton Seals)

* See  on last page.

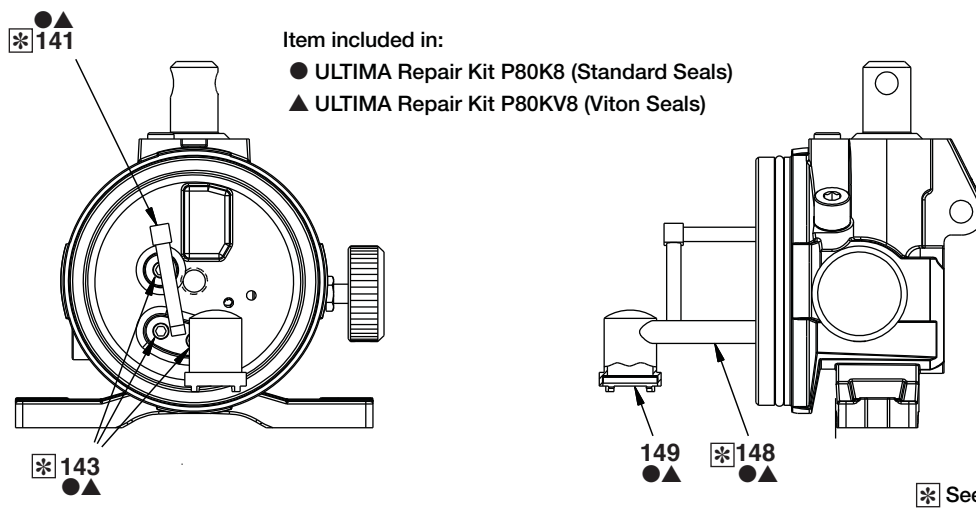
Repair Parts List, Fig. 7

L3073

Item	Part Number	Qty.	Description	Item	Part Number	Qty.	Description
108	●▲B1009016	1	Ball, 5/16" Dia.	137	●B1004803	1	O-Ring, Size -004 (Std.)
114	●▲DC7234009	1	Plug		▲B1004203	1	O-Ring, Size -004 (Viton)
115	●▲DC10131048	2	Set Screw, .437-20 x .38	138	●▲B1004564	2	Back Up Ring, Size -004
123	●B1009803	1	O-Ring, Size -009 (Std.)	139	●▲A8038110	1	Spring
	▲B1009203	1	O-Ring, Size -009 (Viton)	140	●▲CAA0415061-2A	1	Dowel Pin, M4 x 12 mm
136	●▲DX4075061	1	Pin				

IMPORTANT: Shaded items are available only in kits (not sold separately).

Fig. 8, Oil Piping and Filter



Item included in:

- ULTIMA Repair Kit P80K8 (Standard Seals)
- ▲ ULTIMA Repair Kit P80KV8 (Viton Seals)

* See  on last page.

Repair Parts List, Fig. 8

L3073

Item	Part Number	Qty.	Description	Item	Part Number	Qty.	Description
141	●▲DX4713092	1	Fitting, Pick-up Tube	148	●▲DD2520038	1	Oil Filter
143	●▲A1006245	3	Flush Plug, 1/16"	149	●▲A8021018	1	Screen

IMPORTANT: Shaded items are available only in kits (not sold separately).



* Service Information		L3073
Fig.	Item	Torque / notes
1	304	Apply grease before assembly.
1	305	Apply grease before assembly.
1	318	Apply Loctite 243 to threads before assembly. Apply torque by turning one additional turn after hand tight.
2	206	28 - 35 Nm [21 - 26 Ft - Lbs.]
2	208	Hand tighten until fully installed.
3	129	Lubricate with grease before assembly.
3	131	Lubricate with grease before assembly.
3	146	Lubricate with grease before assembly.
4	106	Coin ball seat before installing new ball.
4	108	Coin ball seat before installing new ball.
4	133	40 - 45 Nm [29.5 - 33.2 Ft - Lbs.]
5	118	33 - 40 Nm [24 - 30 Ft - Lbs.]
5	120	11,0 - 14,5 Nm [8.1 - 10.7 Ft - Lbs.]
5	123	Lubricate with grease before assembly.
6	111	Coin ball seat before installing new ball.
6	115	Turn inner set screw to adjust relief valve pressure setting. DO NOT set pressure higher than 700 Bar [10,000 Psi].
6	133	After setting relief valve: Torque to 25 - 33 Nm [18.4 - 24.3 Ft - Lbs.]
7	108	Coin ball seat before installing new ball.
7	115	Turn set screw to adjust bypass valve pressure setting. Adjust so that pump shifts from first to second stage at between 28 and 41 Bar [400-600 Psi].
7	123	Lubricate with grease before assembly.
7	137	Lubricate with grease before assembly.
8	141	Insert short stem of tubing assembly into port
8	143	14 - 16 Nm [10.3 - 11.8 Ft - Lbs.]
8	148	Assemble with screen open end down.



To maintain your warranty:

- Use only Enerpac Oil
- Have your products inspected and repaired by an Enerpac Authorized Service Center

ENERPAC 

Visit www.enerpac.com for the location of the Enerpac Authorized Service Center nearest you.