

Specifications

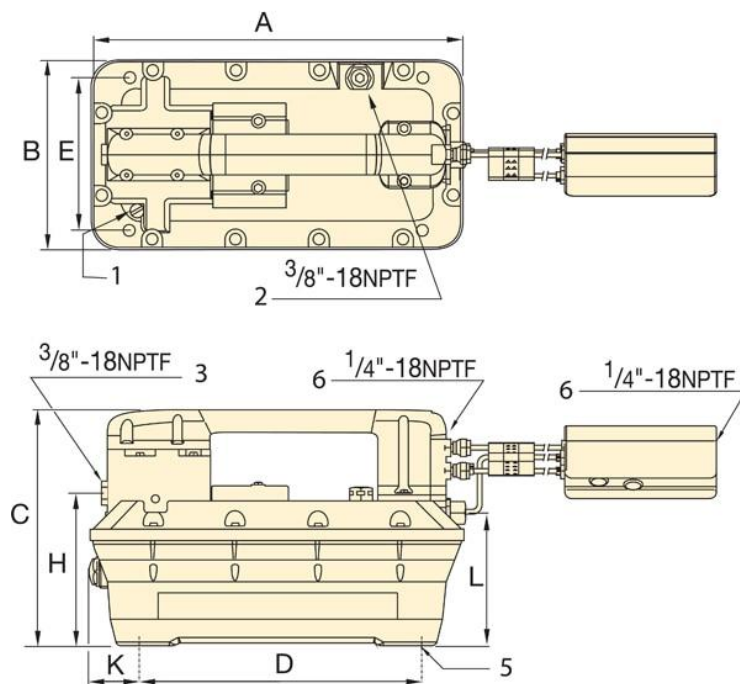
Units: **Imperial** Metric

Maximum Operating Pressure (psi)	10,000
Cylinder Compatability	Single-acting
Reservoir Capacity (in ³)	127
Usable Oil Capacity (in ³)	127
Maximum Flow at Rated Pressure	10 in ³ /min
Valve Function	Advance / Hold / Retract
Valve Type	3-way, 3-position
Power Source	Air
Pump Control	Pendant
Weight (lbs)	22

Dimensions

Units: **Imperial** Metric

Dimension A (in)	12.33
Dimension B (in)	6.49
Dimension C (in)	7.88
Dimension D (in)	9.04
Dimension E (in)	4
Dimension H (in)	5.15
Dimension L (in)	1.65



PARG-1102N and PARG-1105N

- ① Filtered "Permanent" Tank Vent
- ② Return-to-Tank/Auxiliary Vent/Fill Tank Port
- ③ Hydraulic Output
- ④ Swivel Air Input with Filter
- ⑤ 4 Mounting Holes for #10 thread forming screw. Max.depth into reservoir = .75"
- ⑥ Air Input Options