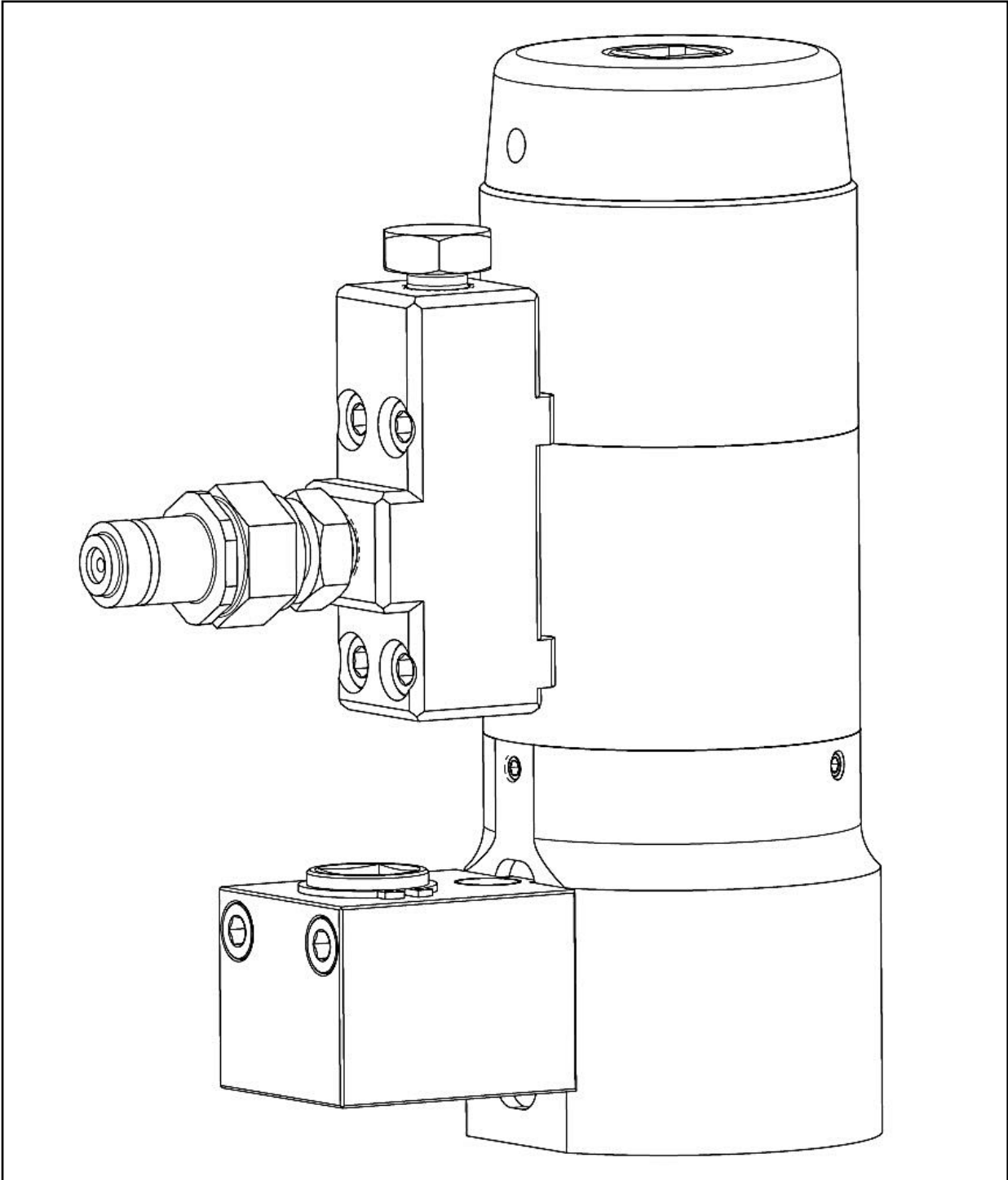


To Protect Your Warranty, Use Only ENERPAC Hydraulic Fluid.
Enerpac recommends that all kit components be installed to insure optimum performance of the repaired product.



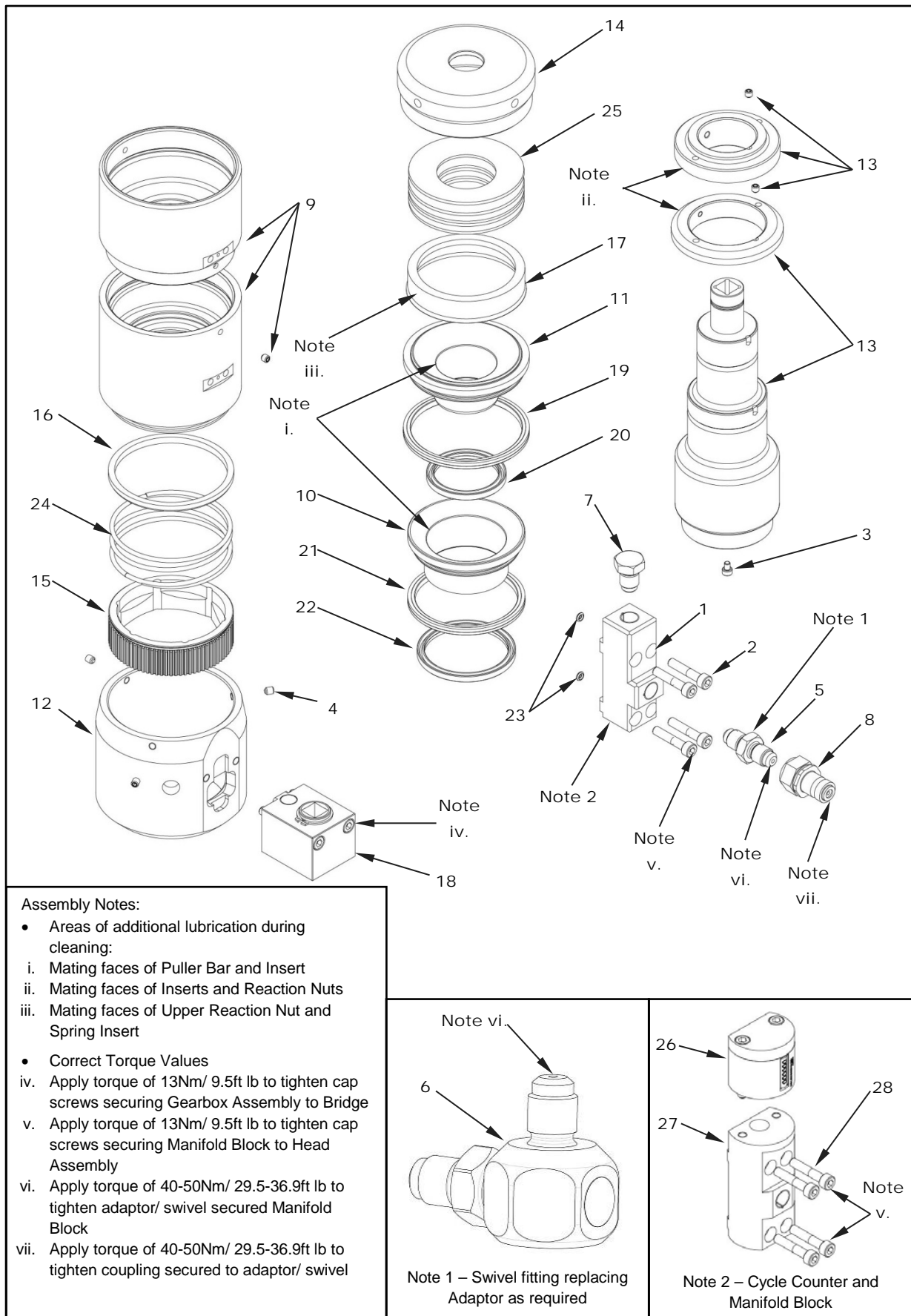


Figure 1, Exploded View, PGT Double Deck Tensioner

Repair Parts List for Figure 1 - PGT Double Deck Tensioner PGTD24

Item	Description	Qty	Part Numbers	
			PGTD2436S PGTD2436SW	PGTD2436SC PGTD2436SWC
1	Manifold Block	1	Ⓒ1	+
2	Socket Head Cap Screw (Manifold Block)	4	Ⓒ1	+
3	Socket Head Cap Screw (Puller Bar)	1	001AB0024766	001AB0024766
4	Socket Set Screw (Tensioner Body)	4	Ⓔ1	Ⓔ1
5	Adaptor	1	Ⓐ1	Ⓐ1
6	Swivel Elbow	1	Ⓑ1	Ⓑ1
7	End Plug	1	Ⓒ1	+
8	Quick Disconnect Coupling	1	Ⓐ1 Ⓑ1	Ⓐ1 Ⓑ1
9	Body Assembly (2 Segments)	1	004HU0074651	004HU0074651
10	Lower Insert	1	004AC0074640	004AC0074640
11	Upper Insert	1	004AC0074641	004AC0074641
12	Bridge	1	Ⓔ1	Ⓔ1
13	Puller Bar Assembly (including Upper and Lower Reaction Nuts)	1	004HH0074650	004HH0074650
14	Spring Cap	1	004AN0074646	004AN0074646
15	Geared Socket	1	004AX0074647	004AX0074647
16	Spring Retainer	1	+	+
17	Spring Insert	1	004CF0074649	004CF0074649
18	Gearbox Assembly	1	004HF0072254	004HF0072254
19	Upper Outer Seal and AER	1	Ⓗ1	Ⓗ1
20	Upper Inner Seal and AER	1	Ⓗ1	Ⓗ1
21	Lower Outer Seal and AER	1	Ⓗ1	Ⓗ1
22	Lower Inner Seal and AER	1	Ⓗ1	Ⓗ1
23	O-Ring (Manifold Block)	2	Ⓒ1	Ⓙ1
24	Compression Spring	1	016AA0031091	016AA0031091
25	Disc Spring	1 Set	016AC0029324 (8 individual)	016AC0029324 (8 individual)
26	Cycle Counter (including Cap Screws)	1	+	Ⓙ1
27	Counter Manifold Block	1	+	Ⓙ1
28	Socket Head Cap Screw (Cycle Counter Manifold Block)	4	+	Ⓙ1

Ⓐ1 Available as part of Straight Coupler Kit 002NG0074348

Ⓑ1 Available as part of Swivel Coupler Kit 026CF0077132

Ⓒ1 Available as part of Manifold Kit 026CF0077133

Ⓔ1 Available as part of Bridge Kit 004HC0077137

Ⓗ1 Available as part of Seal Kit CKSHA0074652

Ⓙ1 Available as part of Counter Manifold Kit 026CF0077147

+ Not included in assembly

Repair Parts List for Figure 1 - PGT Double Deck Tensioner PGTD27

Item	Description	Qty	Part Numbers	
			PGTD2742S PGTD2742SW	PGTD2742SC PGTD2742SWC
1	Manifold Block	1	Ⓒ2	+
2	Socket Head Cap Screw (Manifold Block)	4	Ⓒ2	+
3	Socket Head Cap Screw (Puller Bar)	-	+	+
4	Socket Set Screw (Tensioner Body)	3	Ⓔ2	Ⓔ2
5	Adaptor	1	Ⓐ1	Ⓐ1
6	Swivel Elbow	1	Ⓑ2	Ⓑ2
7	End Plug	1	Ⓒ2	+
8	Quick Disconnect Coupling	1	Ⓐ1 Ⓑ2	Ⓐ1 Ⓑ2
9	Body Assembly (2 Segments)	1	004HU0072789	004HU0072789
10	Lower Insert	1	004AC0030651	004AC0030651
11	Upper Insert	1	004AC0030652	004AC0030652
12	Bridge	1	Ⓔ2	Ⓔ2
13	Puller Bar Assembly (including Upper and Lower Reaction Nuts)	1	004HH0072790	004HH0072790
14	Spring Cap	1	004AN0030657	004AN0030657
15	Geared Socket	1	004AX0030658	004AX0030658
16	Spring Retainer	1	Ⓔ1	Ⓔ1
17	Spring Insert	1	004CF0030661	004CF0030661
18	Gearbox Assembly	1	004HF0024007	004HF0024007
19	Upper Outer Seal and AER	1	Ⓕ2	Ⓕ2
20	Upper Inner Seal and AER	1	Ⓕ2	Ⓕ2
21	Lower Outer Seal and AER	1	Ⓕ2	Ⓕ2
22	Lower Inner Seal and AER	1	Ⓕ2	Ⓕ2
23	O-Ring (Manifold Block)	2	Ⓒ2	Ⓖ2
24	Compression Spring	1	Ⓔ1	Ⓔ1
25	Disc Spring	1 Set	016AC0031162 (8 individual)	016AC0031162 (8 individual)
26	Cycle Counter (including Cap Screws)	1	+	Ⓖ2
27	Counter Manifold Block	1	+	Ⓖ2
28	Socket Head Cap Screw (Cycle Counter Manifold Block)	4	+	Ⓖ2

Ⓐ1 Available as part of Straight Coupler Kit 002NG0074348
 Ⓑ2 Available as part of Swivel Coupler Kit 026CF0074349
 Ⓒ2 Available as part of Manifold Kit 026CF0074351
 Ⓔ2 Available as part of Bridge Kit 004HC0074365

Ⓔ1 Available as part of Hardware Kit 004HP0074355
 Ⓕ2 Available as part of Seal Kit CKSHA0030662
 Ⓖ2 Available as part of Counter Manifold Kit 026CF0074360

+ Not included in assembly

Repair Parts List for Figure 1 - PGT Double Deck Tensioner PGTD30

Item	Description	Qty	Part Numbers	
			PGTD3046S PGTD3046SW	PGTD3046SC PGTD3046SWC
1	Manifold Block	1	Ⓒ3	+
2	Socket Head Cap Screw (Manifold Block)	4	Ⓒ3	+
3	Socket Head Cap Screw (Puller Bar)	-	+	+
4	Socket Set Screw (Tensioner Body)	3	Ⓔ3	Ⓔ3
5	Adaptor	1	Ⓐ1	Ⓐ1
6	Swivel Elbow	1	Ⓑ2	Ⓑ2
7	End Plug	1	Ⓒ3	+
8	Quick Disconnect Coupling	1	Ⓐ1 Ⓑ2	Ⓐ1 Ⓑ2
9	Body Assembly (2 Segments)	1	004HU0072031	004HU0072031
10	Lower Insert	1	004AC0024019	004AC0024019
11	Upper Insert	1	004AC0024018	004AC0024018
12	Bridge	1	Ⓔ3	Ⓔ3
13	Puller Bar Assembly (including Upper and Lower Reaction Nuts)	1	004HH0072030	004HH0072030
14	Spring Cap	1	004AN0024023	004AN0024023
15	Geared Socket	1	004AJ0023840	004AJ0023840
16	Spring Retainer	1	Ⓔ2	Ⓔ2
17	Spring Insert	1	004CF0024022	004CF0024022
18	Gearbox Assembly	1	004HF0024007	004HF0024007
19	Upper Outer Seal and AER	1	Ⓕ3	Ⓕ3
20	Upper Inner Seal and AER	1	Ⓕ3	Ⓕ3
21	Lower Outer Seal and AER	1	Ⓕ3	Ⓕ3
22	Lower Inner Seal and AER	1	Ⓕ3	Ⓕ3
23	O-Ring (Manifold Block)	2	Ⓒ3	Ⓙ3
24	Compression Spring	1	Ⓔ2	Ⓔ2
25	Disc Spring	1 Set	016AC0024781 (6 individual)	016AC0024781 (6 individual)
26	Cycle Counter (including Cap Screws)	1	+	Ⓙ3
27	Counter Manifold Block	1	+	Ⓙ3
28	Socket Head Cap Screw (Cycle Counter Manifold Block)	4	+	Ⓙ3

Ⓐ1 Available as part of Straight Coupler Kit 002NG0074348
 Ⓑ2 Available as part of Swivel Coupler Kit 026CF0074349
 Ⓒ3 Available as part of Manifold Kit 026CF0074352
 Ⓔ3 Available as part of Bridge Kit 004HC0074366

Ⓔ2 Available as part of Hardware Kit 004HP0074356
 Ⓕ3 Available as part of Seal Kit CKSHA0030915
 Ⓙ3 Available as part of Counter Manifold Kit 026CF0074361

+ Not included in assembly

Repair Parts List for Figure 1 - PGT Double Deck Tensioner PGTD33

Item	Description	Qty	Part Numbers	
			PGTD3350S PGTD3350SW	PGTD3350SC PGTD3350SWC
1	Manifold Block	1	Ⓒ3	+
2	Socket Head Cap Screw (Manifold Block)	4	Ⓒ3	+
3	Socket Head Cap Screw (Puller Bar)	-	+	+
4	Socket Set Screw (Tensioner Body)	3	Ⓔ4	Ⓔ4
5	Adaptor	1	Ⓐ1	Ⓐ1
6	Swivel Elbow	1	Ⓑ2	Ⓑ2
7	End Plug	1	Ⓒ3	+
8	Quick Disconnect Coupling	1	Ⓐ1 Ⓑ2	Ⓐ1 Ⓑ2
9	Body Assembly (2 Segments)	1	004HU0072747	004HU0072747
10	Lower Insert	1	004AC0066455	004AC0066455
11	Upper Insert	1	004AC0066454	004AC0066454
12	Bridge	1	Ⓔ4	Ⓔ4
13	Puller Bar Assembly (including Upper and Lower Reaction Nuts)	1	004HH0072746	004HH0072746
14	Spring Cap	1	004AN0066459	004AN0066459
15	Geared Socket	1	004AJ0066449	004AJ0066449
16	Spring Retainer	1	Ⓔ3	Ⓔ3
17	Spring Insert	1	004CF0066458	004CF0066458
18	Gearbox Assembly	1	004HF0024007	004HF0024007
19	Upper Outer Seal and AER	1	Ⓔ4	Ⓔ4
20	Upper Inner Seal and AER	1	Ⓔ4	Ⓔ4
21	Lower Outer Seal and AER	1	Ⓔ4	Ⓔ4
22	Lower Inner Seal and AER	1	Ⓔ4	Ⓔ4
23	O-Ring (Manifold Block)	2	Ⓒ3	Ⓔ3
24	Compression Spring	1	Ⓔ3	Ⓔ3
25	Disc Spring (1 set)	1 Set	016AC0024783 (6 individual)	016AC0024783 (6 individual)
26	Cycle Counter (including Cap Screws)	1	+	Ⓔ3
27	Counter Manifold Block	1	+	Ⓔ3
28	Socket Head Cap Screw (Cycle Counter Manifold Block)	4	+	Ⓔ3

Ⓐ1 Available as part of Straight Coupler Kit 002NG0074348
 Ⓑ2 Available as part of Swivel Coupler Kit 026CF0074349
 Ⓒ3 Available as part of Manifold Kit 026CF0074352
 Ⓔ4 Available as part of Bridge Kit 004HC0074367

Ⓔ3 Available as part of Hardware Kit 004HP0074357
 Ⓔ4 Available as part of Seal Kit CKSHA0066462
 Ⓔ3 Available as part of Counter Manifold Kit 026CF0074361

+ Not included in assembly

Repair Parts List for Figure 1 - PGT Double Deck Tensioner PGTD36

Item	Description	Qty	Part Numbers	
			PGTD3655S PGTD3655SW	PGTD3655SC PGTD3655SWC
1	Manifold Block	1	Ⓒ4	+
2	Socket Head Cap Screw (Manifold Block)	4	Ⓒ4	+
3	Socket Head Cap Screw (Puller Bar)	-	+	+
4	Socket Set Screw (Tensioner Body)	3	Ⓔ5	Ⓔ5
5	Adaptor	1	Ⓐ1	Ⓐ1
6	Swivel Elbow	1	Ⓑ2	Ⓑ2
7	End Plug	1	Ⓒ4	+
8	Quick Disconnect Coupling	1	Ⓐ1 Ⓑ2	Ⓐ1 Ⓑ2
9	Body Assembly (2 Segments)	1	004HU0072509	004HU0072509
10	Lower Insert	1	004AC0024028	004AC0024028
11	Upper Insert	1	004AC0024027	004AC0024027
12	Bridge	1	Ⓔ5	Ⓔ5
13	Puller Bar Assembly (including Upper and Lower Reaction Nuts)	1	004HH0072508	004HH0072508
14	Spring Cap	1	004AN0024032	004AN0024032
15	Geared Socket	1	004AX0030784	004AX0030784
16	Spring Retainer	1	Ⓔ4	Ⓔ4
17	Spring Insert	1	004CF0024031	004CF0024031
18	Gearbox Assembly	1	004HF0024007	004HF0024007
19	Upper Outer Seal and AER	1	Ⓗ5	Ⓗ5
20	Upper Inner Seal and AER	1	Ⓗ5	Ⓗ5
21	Lower Outer Seal and AER	1	Ⓗ5	Ⓗ5
22	Lower Inner Seal and AER	1	Ⓗ5	Ⓗ5
23	O-Ring (Manifold Block)	2	Ⓒ4	Ⓙ4
24	Compression Spring	1	Ⓔ4	Ⓔ4
25	Disc Spring (1 set)	1 Set	016AC0024783 (6 individual)	016AC0024783 (6 individual)
26	Cycle Counter (including Cap Screws)	1	+	Ⓙ4
27	Counter Manifold Block	1	+	Ⓙ4
28	Socket Head Cap Screw (Cycle Counter Manifold Block)	4	+	Ⓙ4

Ⓐ1 Available as part of Straight Coupler Kit 002NG0074348
 Ⓑ2 Available as part of Swivel Coupler Kit 026CF0074349
 Ⓒ4 Available as part of Manifold Kit 026CF0074353
 Ⓔ5 Available as part of Bridge Kit 004HC0074368

Ⓔ4 Available as part of Hardware Kit 004HP0074358
 Ⓗ5 Available as part of Seal Kit CKSHA0030673
 Ⓙ4 Available as part of Counter Manifold Kit 026CF0074363

+ Not included in assembly

Repair Parts List for Figure 1 - PGT Double Deck Tensioner PGTD39

Item	Description	Qty	Part Numbers	
			PGTD3960S PGTD3960SW	PGTD3960SC PGTD3960SWC
1	Manifold Block	1	Ⓒ5	+
2	Socket Head Cap Screw (Manifold Block)	4	Ⓒ5	+
3	Socket Head Cap Screw (Puller Bar)	1	001AB0024766	001AB0024766
4	Socket Set Screw (Tensioner Body)	4	Ⓔ6	Ⓔ6
5	Adaptor	1	Ⓐ1	Ⓐ1
6	Swivel Elbow	1	Ⓑ1	Ⓑ1
7	End Plug	1	Ⓒ5	+
8	Quick Disconnect Coupling	1	Ⓐ1 Ⓑ1	Ⓐ1 Ⓑ1
9	Body Assembly (2 Segments)	1	004HU0074671	004HU0074671
10	Lower Insert	1	004AC0074660	004AC0074660
11	Upper Insert	1	004AC0074661	004AC0074661
12	Bridge	1	Ⓔ6	Ⓔ6
13	Puller Bar Assembly (including Upper and Lower Reaction Nuts)	1	004HH0074670	004HH0074670
14	Spring Cap	1	004AN0074666	004AN0074666
15	Geared Socket	1	004AX0074667	004AX0074667
16	Spring Retainer	1	+	+
17	Spring Insert	1	004CF0074669	004CF0074669
18	Gearbox Assembly	1	004HF0024007	004HF0024007
19	Upper Outer Seal and AER	1	Ⓕ6	Ⓕ6
20	Upper Inner Seal and AER	1	Ⓕ6	Ⓕ6
21	Lower Outer Seal and AER	1	Ⓕ6	Ⓕ6
22	Lower Inner Seal and AER	1	Ⓕ6	Ⓕ6
23	O-Ring (Manifold Block)	2	Ⓒ5	Ⓙ5
24	Compression Spring	1	016AA0076890	016AA0076890
25	Disc Spring	1 Set	016AC0076453 (6 individual)	016AC0076453 (6 individual)
26	Cycle Counter (including Cap Screws)	1	+	Ⓙ5
27	Counter Manifold Block	1	+	Ⓙ5
28	Socket Head Cap Screw (Cycle Counter Manifold Block)	4	+	Ⓙ5

Ⓐ1 Available as part of Straight Coupler Kit 002NG0074348

Ⓑ1 Available as part of Swivel Coupler Kit 026CF0077132

Ⓒ5 Available as part of Manifold Kit 026CF0077134

Ⓔ6 Available as part of Bridge Kit 004HC0077138

Ⓕ6 Available as part of Seal Kit CKSHA0074672

Ⓙ5 Available as part of Counter Manifold Kit 026CF0077148

+ Not included in assembly

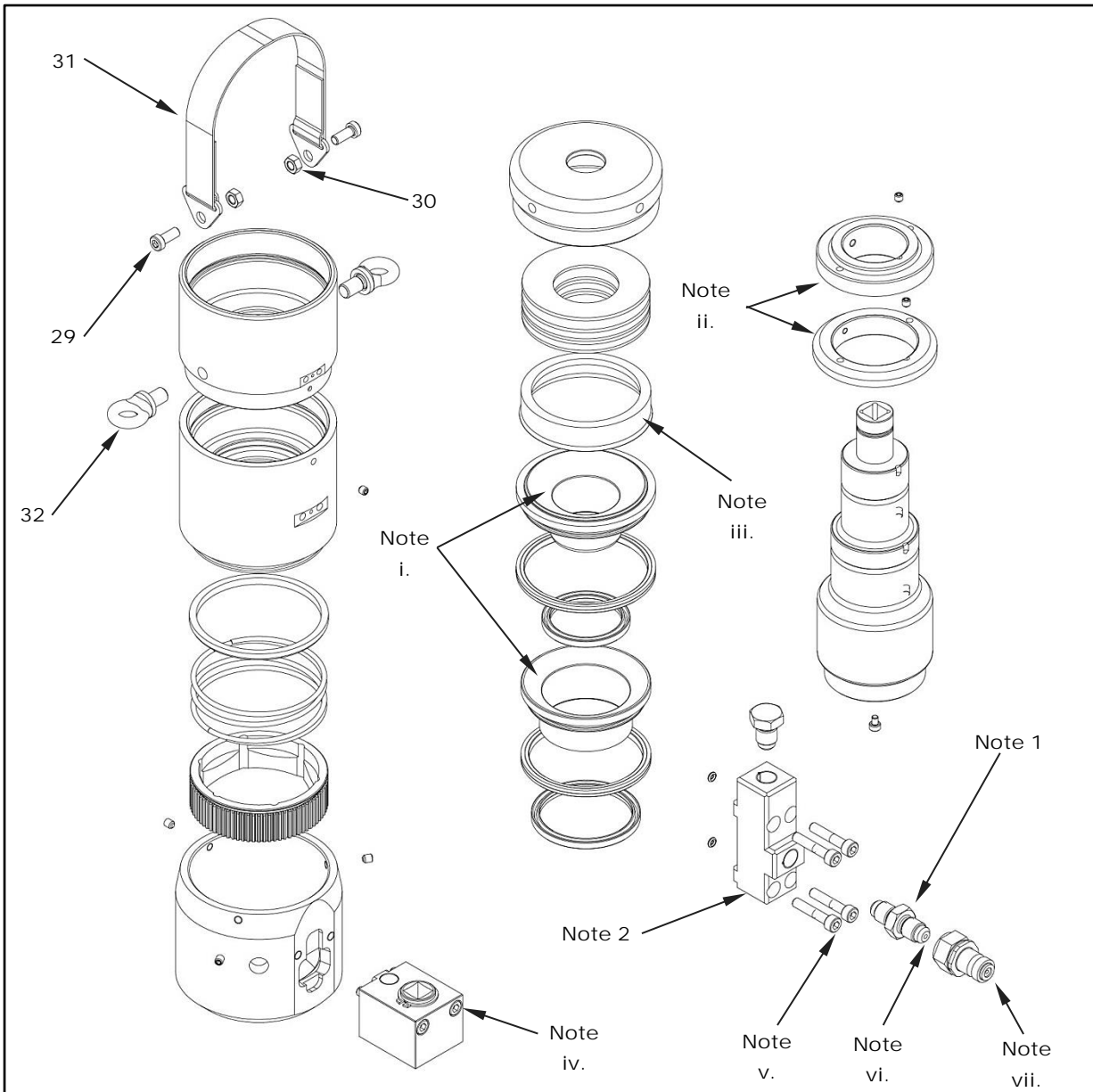
Repair Parts List for Figure 1 - PGT Double Deck Tensioner PGTD42

Item	Description	Qty	Part Numbers	
			PGTD4265S PGTD4265SW	PGTD4265SC PGTD4265SWC
1	Manifold Block	1	Ⓒ6	+
2	Socket Head Cap Screw (Manifold Block)	4	Ⓒ6	+
3	Socket Head Cap Screw (Puller Bar)	1	001AB0024766	001AB0024766
4	Socket Set Screw (Tensioner Body)	3	Ⓔ7	Ⓔ7
5	Adaptor	1	Ⓐ1	Ⓐ1
6	Swivel Elbow	1	Ⓑ2	Ⓑ2
7	End Plug	1	Ⓒ6	+
8	Quick Disconnect Coupling	1	Ⓐ1 Ⓑ2	Ⓐ1 Ⓑ2
9	Body Assembly (2 Segments)	1	004HU0072400	004HU0072400
10	Lower Insert	1	004AC0023990	004AC0023990
11	Upper Insert	1	004AC0023993	004AC0023993
12	Bridge	1	Ⓔ7	Ⓔ7
13	Puller Bar Assembly (including Upper and Lower Reaction Nuts)	1	004HH0072399	004HH0072399
14	Spring Cap	1	004AN0023995	004AN0023995
15	Geared Socket	1	004AX0024005	004AX0024005
16	Spring Retainer	1	Ⓔ5	Ⓔ5
17	Spring Insert	1	004CF0023997	004CF0023997
18	Gearbox Assembly	1	004HF0024007	004HF0024007
19	Upper Outer Seal and AER	1	Ⓕ7	Ⓕ7
20	Upper Inner Seal and AER	1	Ⓕ7	Ⓕ7
21	Lower Outer Seal and AER	1	Ⓕ7	Ⓕ7
22	Lower Inner Seal and AER	1	Ⓕ7	Ⓕ7
23	O-Ring (Manifold Block)	2	Ⓒ6	Ⓖ6
24	Compression Spring	1	Ⓔ5	Ⓔ5
25	Disc Spring	1 Set	016AC0024788 (6 individual)	016AC0024788 (6 individual)
26	Cycle Counter (including Cap Screws)	1	+	Ⓖ6
27	Counter Manifold Block	1	+	Ⓖ6
28	Socket Head Cap Screw (Cycle Counter Manifold Block)	4	+	Ⓖ6

Ⓐ1 Available as part of Straight Coupler Kit 002NG0074348
 Ⓑ2 Available as part of Swivel Coupler Kit 026CF0074349
 Ⓒ6 Available as part of Manifold Kit 026CF0074354
 Ⓔ7 Available as part of Bridge Kit 004HC0074369

Ⓔ5 Available as part of Hardware Kit 004HP0074359
 Ⓕ7 Available as part of Seal Kit CKSHA0072397
 Ⓖ6 Available as part of Counter Manifold Kit 026CF0074364

+ Not included in assembly



- Assembly Notes:**
- Areas of additional lubrication during cleaning:
- viii. Mating faces of Puller Bar and Insert
 - ix. Mating faces of Inserts and Reaction Nuts
 - x. Mating faces of Upper Reaction Nut and Spring Insert
- Correct Torque Values
- xi. Apply torque of 13Nm/ 9.5ft lb to tighten cap screws securing Gearbox Assembly to Bridge
 - xii. Apply torque of 13Nm/ 9.5ft lb to tighten cap screws securing Manifold Block to Head Assembly
 - xiii. Apply torque of 40-50Nm/ 29.5-36.9ft lb to tighten adaptor/ swivel secured Manifold Block
 - xiv. Apply torque of 40-50Nm/ 29.5-36.9ft lb to tighten coupling secured to adaptor/ swivel

Note 3 – For part numbers 1 to 28 see Figure 1, Exploded View, PGT Double Deck Tensioner

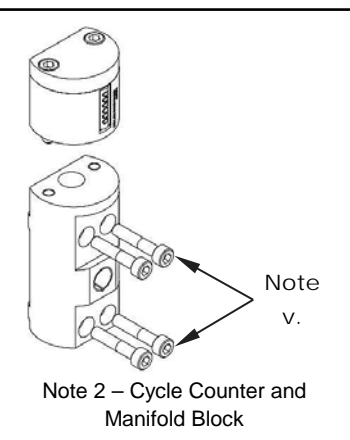
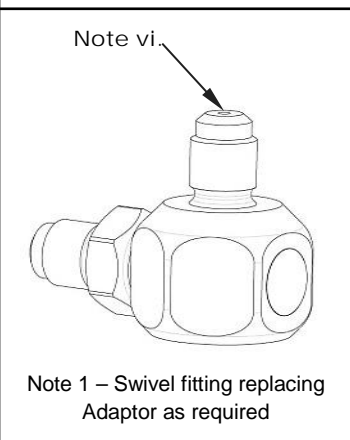


Figure 2, Exploded View, PGT Double Deck Tensioner with Lift Supports

Repair Parts List for Figure 1 - PGT Double Deck Tensioner PGTD45

Item	Description	Qty	Part Numbers	
			PGTD4570S PGTD4570SW	PGTD4570SC PGTD4570SWC
1	Manifold Block	1	Ⓒ5	+
2	Socket Head Cap Screw (Manifold Block)	4	Ⓒ5	+
3	Socket Head Cap Screw (Puller Bar)	1	001AB0024766	001AB0024766
4	Socket Set Screw (Tensioner Body)	4	Ⓔ6	Ⓔ6
5	Adaptor	1	Ⓐ1	Ⓐ1
6	Swivel Elbow	1	Ⓑ1	Ⓑ1
7	End Plug	1	Ⓒ5	+
8	Quick Disconnect Coupling	1	Ⓐ1 Ⓑ1	Ⓐ1 Ⓑ1
9	Body Assembly (2 Segments)	1	004HU0074703	004HU0074703
10	Lower Insert	1	004AC0074692	004AC0074692
11	Upper Insert	1	004AC0074693	004AC0074693
12	Bridge	1	Ⓔ8	Ⓔ8
13	Puller Bar Assembly (including Upper and Lower Reaction Nuts)	1	004HH0074702	004HH0074702
14	Spring Cap	1	004AN0074698	004AN0074698
15	Geared Socket	1	004AX0074699	004AX0074699
16	Spring Retainer	1	+	+
17	Spring Insert	1	004CF0074701	004CF0074701
18	Gearbox Assembly	1	004HF0024007	004HF0024007
19	Upper Outer Seal and AER	1	Ⓔ8	Ⓔ8
20	Upper Inner Seal and AER	1	Ⓔ8	Ⓔ8
21	Lower Outer Seal and AER	1	Ⓔ8	Ⓔ8
22	Lower Inner Seal and AER	1	Ⓔ8	Ⓔ8
23	O-Ring (Manifold Block)	2	Ⓒ5	Ⓙ5
24	Compression Spring	1	016AA0076892	016AA0076892
25	Disc Spring	1 Set	016AC0028114 (6 individual)	016AC0028114 (6 individual)
26	Cycle Counter (including Cap Screws)	1	+	Ⓙ5
27	Counter Manifold Block	1	+	Ⓙ5
28	Socket Head Cap Screw (Cycle Counter Manifold Block)	4	+	Ⓙ5
29	Socket Head Cap Screw (Handle)	2	Ⓛ1	Ⓛ1
30	Plain Hexagon Nut (Handle)	2	Ⓛ1	Ⓛ1
31	Handle with Links	1	Ⓛ1	Ⓛ1
32	Collar Eyebolt	-	+	+

Ⓐ1 Available as part of Straight Coupler Kit 002NG0074348
 Ⓑ1 Available as part of Swivel Coupler Kit 026CF0077132
 Ⓒ5 Available as part of Manifold Kit 026CF0077134
 Ⓔ8 Available as part of Bridge Kit 004HC0077139

Ⓔ8 Available as part of Seal Kit CKSHA0074704
 Ⓙ5 Available as part of Counter Manifold Kit 026CF0077148
 Ⓛ1 Available as part of Handle Kit 004HS0074390

+ Not included in assembly

Repair Parts List for Figure 1 - PGT Double Deck Tensioner PGTD48

Item	Description	Qty	Part Numbers	
			PGTD4875S PGTD4875SW	PGTD4875SC PGTD4875SWC
1	Manifold Block	1	Ⓒ7	+
2	Socket Head Cap Screw (Manifold Block)	4	Ⓒ7	+
3	Socket Head Cap Screw (Puller Bar)	1	001AB0024766	001AB0024766
4	Socket Set Screw (Tensioner Body)	4	Ⓔ9	Ⓔ9
5	Adaptor	1	Ⓐ1	Ⓐ1
6	Swivel Elbow	1	Ⓑ1	Ⓑ1
7	End Plug	1	Ⓒ7	+
8	Quick Disconnect Coupling	1	Ⓐ1 Ⓑ1	Ⓐ1 Ⓑ1
9	Body Assembly (2 Segments)	1	004HU0074724	004HU0074724
10	Lower Insert	1	004AC0074713	004AC0074713
11	Upper Insert	1	004AC0074714	004AC0074714
12	Bridge	1	Ⓔ9	Ⓔ9
13	Puller Bar Assembly (including Upper and Lower Reaction Nuts)	1	004HH0074723	004HH0074723
14	Spring Cap	1	004AN0074719	004AN0074719
15	Geared Socket	1	004AX0074720	004AX0074720
16	Spring Retainer	1	+	+
17	Spring Insert	1	004CF0074722	004CF0074722
18	Gearbox Assembly	1	004HF0024007	004HF0024007
19	Upper Outer Seal and AER	1	Ⓕ9	Ⓕ9
20	Upper Inner Seal and AER	1	Ⓕ9	Ⓕ9
21	Lower Outer Seal and AER	1	Ⓕ9	Ⓕ9
22	Lower Inner Seal and AER	1	Ⓕ9	Ⓕ9
23	O-Ring (Manifold Block)	2	Ⓒ7	Ⓙ7
24	Compression Spring	1	016AA0076971	016AA0076971
25	Disc Spring	1 Set	016AC0076383 (6 individual)	016AC0076383 (6 individual)
26	Cycle Counter (including Cap Screws)	1	+	Ⓙ7
27	Counter Manifold Block	1	+	Ⓙ7
28	Socket Head Cap Screw (Cycle Counter Manifold Block)	4	+	Ⓙ7
29	Socket Head Cap Screw (Handle)	2	Ⓛ1	Ⓛ1
30	Plain Hexagon Nut (Handle)	2	Ⓛ1	Ⓛ1
31	Handle with Links	1	Ⓛ1	Ⓛ1
32	Collar Eyebolt	-	+	+

Ⓐ1 Available as part of Straight Coupler Kit 002NG0074348
 Ⓑ1 Available as part of Swivel Coupler Kit 026CF0077132
 Ⓒ7 Available as part of Manifold Kit 026CF0077135
 Ⓔ9 Available as part of Bridge Kit 004HC0077140

Ⓕ9 Available as part of Seal Kit CKSHA0074725
 Ⓙ7 Available as part of Counter Manifold Kit 026CF0077149
 Ⓛ1 Available as part of Handle Kit 004HS0074390

+ Not included in assembly

Repair Parts List for Figure 1 - PGT Double Deck Tensioner PGTD52

Item	Description	Qty	Part Numbers	
			PGTD5280S PGTD5280SW	PGTD5280SC PGTD5280SWC
1	Manifold Block	1	Ⓒ7	+
2	Socket Head Cap Screw (Manifold Block)	4	Ⓒ7	+
3	Socket Head Cap Screw (Puller Bar)	1	001AB0024766	001AB0024766
4	Socket Set Screw (Tensioner Body)	4	Ⓕ1	Ⓕ1
5	Adaptor	1	Ⓐ1	Ⓐ1
6	Swivel Elbow	1	Ⓑ1	Ⓑ1
7	End Plug	1	Ⓒ7	+
8	Quick Disconnect Coupling	1	Ⓐ1 Ⓑ1	Ⓐ1 Ⓑ1
9	Body Assembly (2 Segments)	1	004HU0074745	004HU0074745
10	Lower Insert	1	004AC0074734	004AC0074734
11	Upper Insert	1	004AC0074735	004AC0074735
12	Bridge	1	Ⓕ1	Ⓕ1
13	Puller Bar Assembly (including Upper and Lower Reaction Nuts)	1	004HH0074744	004HH0074744
14	Spring Cap	1	004AN0074740	004AN0074740
15	Geared Socket	1	004AX0074741	004AX0074741
16	Spring Retainer	1	+	+
17	Spring Insert	1	004CF0074743	004CF0074743
18	Gearbox Assembly	1	004HF0024007	004HF0024007
19	Upper Outer Seal and AER	1	Ⓛ1	Ⓛ1
20	Upper Inner Seal and AER	1	Ⓛ1	Ⓛ1
21	Lower Outer Seal and AER	1	Ⓛ1	Ⓛ1
22	Lower Inner Seal and AER	1	Ⓛ1	Ⓛ1
23	O-Ring (Manifold Block)	2	Ⓒ7	ⓙ7
24	Compression Spring	1	016AA0076894	016AA0076894
25	Disc Spring	1 Set	016AC0076476 (6 individual)	016AC0076476 (6 individual)
26	Cycle Counter (including Cap Screws)	1	+	ⓙ7
27	Counter Manifold Block	1	+	ⓙ7
28	Socket Head Cap Screw (Cycle Counter Manifold Block)	4	+	ⓙ7
29	Socket Head Cap Screw (Handle)	-	+	+
30	Plain Hexagon Nut (Handle)	-	+	+
31	Handle with Links	-	+	+
32	Collar Eyebolt	2	018AA0025797	018AA0025797
Ⓐ1 Available as part of Straight Coupler Kit 002NG0074348			Ⓕ1 Available as part of Bridge Kit 004HC0077141	
Ⓑ1 Available as part of Swivel Coupler Kit 026CF0077132			Ⓛ1 Available as part of Seal Kit CKSHA0074746	
Ⓒ7 Available as part of Manifold Kit 026CF0077135			ⓙ7 Available as part of Counter Manifold Kit 026CF0077149	
+ Not included in assembly				

Repair Parts List for Figure 1 - PGT Double Deck Tensioner PGTD56

Item	Description	Qty	Part Numbers	
			PGTD5685S PGTD5685SW	PGTD5685SC PGTD5685SWC
1	Manifold Block	1	Ⓒ7	+
2	Socket Head Cap Screw (Manifold Block)	4	Ⓒ7	+
3	Socket Head Cap Screw (Puller Bar)	1	001AB0024766	001AB0024766
4	Socket Set Screw (Tensioner Body)	4	Ⓕ2	Ⓕ2
5	Adaptor	1	Ⓐ1	Ⓐ1
6	Swivel Elbow	1	Ⓑ1	Ⓑ1
7	End Plug	1	Ⓒ7	+
8	Quick Disconnect Coupling	1	Ⓐ1 Ⓑ1	Ⓐ1 Ⓑ1
9	Body Assembly (2 Segments)	1	004HU0074766	004HU0074766
10	Lower Insert	1	004AC0074755	004AC0074755
11	Upper Insert	1	004AC0074756	004AC0074756
12	Bridge	1	Ⓕ2	Ⓕ2
13	Puller Bar Assembly (including Upper and Lower Reaction Nuts)	1	004HH0074765	004HH0074765
14	Spring Cap	1	004AN0074761	004AN0074761
15	Geared Socket	1	004AX0074762	004AX0074762
16	Spring Retainer	1	+	+
17	Spring Insert	1	004CF0074764	004CF0074764
18	Gearbox Assembly	1	004HF0024007	004HF0024007
19	Upper Outer Seal and AER	1	Ⓘ2	Ⓘ2
20	Upper Inner Seal and AER	1	Ⓘ2	Ⓘ2
21	Lower Outer Seal and AER	1	Ⓘ2	Ⓘ2
22	Lower Inner Seal and AER	1	Ⓘ2	Ⓘ2
23	O-Ring (Manifold Block)	2	Ⓒ7	ⓙ7
24	Compression Spring	1	016AA0076972	016AA0076972
25	Disc Spring	1 Set	016AC0068485 (6 individual)	016AC0068485 (6 individual)
26	Cycle Counter (including Cap Screws)	1	+	ⓙ7
27	Counter Manifold Block	1	+	ⓙ7
28	Socket Head Cap Screw (Cycle Counter Manifold Block)	4	+	ⓙ7
29	Socket Head Cap Screw (Handle)	-	+	+
30	Plain Hexagon Nut (Handle)	-	+	+
31	Handle with Links	-	+	+
32	Collar Eyebolt	2	018AA0025797	018AA0025797
Ⓐ1 Available as part of Straight Coupler Kit 002NG0074348			Ⓕ2 Available as part of Bridge Kit 004HC0077142	
Ⓑ1 Available as part of Swivel Coupler Kit 026CF0077132			Ⓘ2 Available as part of Seal Kit CKSHA0074767	
Ⓒ7 Available as part of Manifold Kit 026CF0077135			ⓙ7 Available as part of Counter Manifold Kit 026CF0077149	
+ Not included in assembly				

Repair Parts List for Figure 1 - PGT Double Deck Tensioner PGTD60

Item	Description	Qty	Part Numbers	
			PGTD6090S PGTD6090SW	PGTD6090SC PGTD6090SWC
1	Manifold Block	1	Ⓒ7	+
2	Socket Head Cap Screw (Manifold Block)	4	Ⓒ7	+
3	Socket Head Cap Screw (Puller Bar)	1	001AB0024776	001AB0024776
4	Socket Set Screw (Tensioner Body)	4	Ⓕ3	Ⓕ3
5	Adaptor	1	Ⓐ1	Ⓐ1
6	Swivel Elbow	1	Ⓑ1	Ⓑ1
7	End Plug	1	Ⓒ7	+
8	Quick Disconnect Coupling	1	Ⓐ1 Ⓑ1	Ⓐ1 Ⓑ1
9	Body Assembly (2 Segments)	1	004HU0074787	004HU0074787
10	Lower Insert	1	004AC0074776	004AC0074776
11	Upper Insert	1	004AC0074777	004AC0074777
12	Bridge	1	Ⓕ3	Ⓕ3
13	Puller Bar Assembly (including Upper and Lower Reaction Nuts)	1	004HH0074786	004HH0074786
14	Spring Cap	1	004AN0074782	004AN0074782
15	Geared Socket	1	004AX0074783	004AX0074783
16	Spring Retainer	1	+	+
17	Spring Insert	1	004CF0074785	004CF0074785
18	Gearbox Assembly	1	004HF0024007	004HF0024007
19	Upper Outer Seal and AER	1	Ⓘ3	Ⓘ3
20	Upper Inner Seal and AER	1	Ⓘ3	Ⓘ3
21	Lower Outer Seal and AER	1	Ⓘ3	Ⓘ3
22	Lower Inner Seal and AER	1	Ⓘ3	Ⓘ3
23	O-Ring (Manifold Block)	2	Ⓒ7	Ⓙ7
24	Compression Spring	1	016AA0076897	016AA0076897
25	Disc Spring	1 Set	016AC0076512 (4 individual)	016AC0076512 (4 individual)
26	Cycle Counter (including Cap Screws)	1	+	Ⓙ7
27	Counter Manifold Block	1	+	Ⓙ7
28	Socket Head Cap Screw (Cycle Counter Manifold Block)	4	+	Ⓙ7
29	Socket Head Cap Screw (Handle)	-	+	+
30	Plain Hexagon Nut (Handle)	-	+	+
31	Handle with Links	-	+	+
32	Collar Eyebolt	2	018AA0025797	018AA0025797

Ⓐ1 Available as part of Straight Coupler Kit 002NG0074348
 Ⓑ1 Available as part of Swivel Coupler Kit 026CF0077132
 Ⓒ7 Available as part of Manifold Kit 026CF0077135

Ⓕ3 Available as part of Bridge Kit 004HC0077143
 Ⓘ3 Available as part of Seal Kit CKSHA0074788
 Ⓙ7 Available as part of Counter Manifold Kit 026CF0077149

+ Not included in assembly

Repair Parts List for Figure 1 - PGT Double Deck Tensioner PGTD64

Item	Description	Qty	Part Numbers	
			PGTD6495S PGTD6495SW	PGTD6495SC PGTD6495SWC
1	Manifold Block	1	Ⓒ	+
2	Socket Head Cap Screw (Manifold Block)	4	Ⓒ	+
3	Socket Head Cap Screw (Puller Bar)	1	001AB0024766	001AB0024766
4	Socket Set Screw (Tensioner Body)	4	Ⓕ	Ⓕ
5	Adaptor	1	Ⓐ	Ⓐ
6	Swivel Elbow	1	Ⓑ	Ⓑ
7	End Plug	1	Ⓒ	+
8	Quick Disconnect Coupling	1	Ⓐ Ⓑ	Ⓐ Ⓑ
9	Body Assembly (2 Segments)	1	004HU0074808	004HU0074808
10	Lower Insert	1	004AC0074797	004AC0074797
11	Upper Insert	1	004AC0074798	004AC0074798
12	Bridge	1	Ⓕ	Ⓕ
13	Puller Bar Assembly (including Upper and Lower Reaction Nuts)	1	004HH0074807	004HH0074807
14	Spring Cap	1	004AN0074803	004AN0074803
15	Geared Socket	1	004AX0074804	004AX0074804
16	Spring Retainer	-	+	+
17	Spring Insert	1	004CF0074806	004CF0074806
18	Gearbox Assembly	1	004HF0024007	004HF0024007
19	Upper Outer Seal and AER	1	Ⓖ	Ⓖ
20	Upper Inner Seal and AER	1	Ⓖ	Ⓖ
21	Lower Outer Seal and AER	1	Ⓖ	Ⓖ
22	Lower Inner Seal and AER	1	Ⓖ	Ⓖ
23	O-Ring (Manifold Block)	2	Ⓒ	Ⓖ
24	Compression Spring	1	016AA0076973	016AA0076973
25	Disc Spring	1 Set	016AC0076545 (4 individual)	016AC0076545 (4 individual)
26	Cycle Counter (including Cap Screws)	1	+	Ⓖ
27	Counter Manifold Block	1	+	Ⓖ
28	Socket Head Cap Screw (Cycle Counter Manifold Block)	4	+	Ⓖ
29	Socket Head Cap Screw (Handle)	-	+	+
30	Plain Hexagon Nut (Handle)	-	+	+
31	Handle with Links	-	+	+
32	Collar Eyebolt	2	018AA0025797	018AA0025797
Ⓐ Available as part of Straight Coupler Kit 002NG0074348			Ⓕ Available as part of Bridge Kit 004HC0077144	
Ⓑ Available as part of Swivel Coupler Kit 026CF0077132			Ⓖ Available as part of Seal Kit CKSHA0074809	
Ⓒ Available as part of Manifold Kit 026CF0077136			Ⓖ Available as part of Counter Manifold Kit 026CF0077150	
+ Not included in assembly				

Repair Parts List for Figure 1 – PGT Double Deck Tensioner PGTD68

Item	Description	Qty	Part Numbers	
			PGTD68100S PGTD68100SW	PGTD68100SC PGTD68100SWC
1	Manifold Block	1	Ⓒ	+
2	Socket Head Cap Screw (Manifold Block)	4	Ⓒ	+
3	Socket Head Cap Screw (Puller Bar)	1	001AB0024766	001AB0024766
4	Socket Set Screw (Tensioner Body)	4	Ⓕ	Ⓕ
5	Adaptor	1	Ⓐ	Ⓐ
6	Swivel Elbow	1	Ⓑ	Ⓑ
7	End Plug	1	Ⓒ	+
8	Quick Disconnect Coupling	1	Ⓐ Ⓑ	Ⓐ Ⓑ
9	Body Assembly (2 Segments)	1	004HU0074829	004HU0074829
10	Lower Insert	1	004AC0074818	004AC0074818
11	Upper Insert	1	004AC0074819	004AC0074819
12	Bridge	1	Ⓕ	Ⓕ
13	Puller Bar Assembly (including Upper and Lower Reaction Nuts)	1	004HH0074828	004HH0074828
14	Spring Cap	1	004AN0074824	004AN0074824
15	Geared Socket	1	004AX0074825	004AX0074825
16	Spring Retainer	-	+	+
17	Spring Insert	1	004CF0074827	004CF0074827
18	Gearbox Assembly	1	004HF0024007	004HF0024007
19	Upper Outer Seal and AER	1	Ⓜ	Ⓜ
20	Upper Inner Seal and AER	1	Ⓜ	Ⓜ
21	Lower Outer Seal and AER	1	Ⓜ	Ⓜ
22	Lower Inner Seal and AER	1	Ⓜ	Ⓜ
23	O-Ring (Manifold Block)	2	Ⓒ	ⓙ
24	Compression Spring	1	016AA0076974	016AA0076974
25	Disc Spring	1 Set	016AC0076169 (4 individual)	016AC0076169 (4 individual)
26	Cycle Counter (including Cap Screws)	1	+	ⓙ
27	Counter Manifold Block	1	+	ⓙ
28	Socket Head Cap Screw (Cycle Counter Manifold Block)	4	+	ⓙ
29	Socket Head Cap Screw (Handle)	-	+	+
30	Plain Hexagon Nut (Handle)	-	+	+
31	Handle with Links	-	+	+
32	Collar Eyebolt	2	018AA0025797	018AA0025797
Ⓐ Available as part of Straight Coupler Kit 002NG0074348			Ⓕ Available as part of Bridge Kit 004HC0077145	
Ⓑ Available as part of Swivel Coupler Kit 026CF0077132			Ⓜ Available as part of Seal Kit CKSHA0074830	
Ⓒ Available as part of Manifold Kit 026CF0077136			ⓙ Available as part of Counter Manifold Kit 026CF0077150	
+ Not included in assembly				

Repair Parts List for Figure 1 - PGT Double Deck Tensioner PGTD72

Item	Description	Qty	Part Numbers	
			PGTD72105S PGTD72105SW	PGTD72105SC PGTD72105SWC
1	Manifold Block	1	Ⓢ	+
2	Socket Head Cap Screw (Manifold Block)	4	Ⓢ	+
3	Socket Head Cap Screw (Puller Bar)	1	001AB0024766	001AB0024766
4	Socket Set Screw (Tensioner Body)	4	ⓕ	ⓕ
5	Adaptor	1	Ⓐ	Ⓐ
6	Swivel Elbow	1	Ⓑ	Ⓑ
7	End Plug	1	Ⓢ	+
8	Quick Disconnect Coupling	1	Ⓐ Ⓑ	Ⓐ Ⓑ
9	Body Assembly (2 Segments)	1	004HU0074850	004HU0074850
10	Lower Insert	1	004AC0074839	004AC0074839
11	Upper Insert	1	004AC0074840	004AC0074840
12	Bridge	1	ⓕ	ⓕ
13	Puller Bar Assembly (including Upper and Lower Reaction Nuts)	1	004HH0074849	004HH0074849
14	Spring Cap	1	004AN0074845	004AN0074845
15	Geared Socket	1	004AX0074846	004AX0074846
16	Spring Retainer	-	+	+
17	Spring Insert	1	004CF0074848	004CF0074848
18	Gearbox Assembly	1	004HF0024007	004HF0024007
19	Upper Outer Seal and AER	1	ⓖ	ⓖ
20	Upper Inner Seal and AER	1	ⓖ	ⓖ
21	Lower Outer Seal and AER	1	ⓖ	ⓖ
22	Lower Inner Seal and AER	1	ⓖ	ⓖ
23	O-Ring (Manifold Block)	2	Ⓢ	ⓙ
24	Compression Spring	1	016AA0076170	016AA0076170
25	Disc Spring	1 Set	016AC0076169 (4 individual)	016AC0076169 (4 individual)
26	Cycle Counter (including Cap Screws)	1	+	ⓙ
27	Counter Manifold Block	1	+	ⓙ
28	Socket Head Cap Screw (Cycle Counter Manifold Block)	4	+	ⓙ
29	Socket Head Cap Screw (Handle)	-	+	+
30	Plain Hexagon Nut (Handle)	-	+	+
31	Handle with Links	-	+	+
32	Collar Eyebolt	2	018AA0025797	018AA0025797

Ⓐ Available as part of Straight Coupler Kit 002NG0074348
 Ⓑ Available as part of Swivel Coupler Kit 026CF0077132
 Ⓢ Available as part of Manifold Kit 026CF0077136

ⓕ Available as part of Bridge Kit 004HC0077146
 ⓖ Available as part of Seal Kit CKSHA0074851
 ⓙ Available as part of Counter Manifold Kit 026CF0077150

+ Not included in assembly

ENERPAC 

www.enerpac.com