



777 Oakmont Lane, Ste. 800
 Westmont, IL 60559
 1.800.323.9114 • Outside U.S. 1.630.590.6990
 www.simplexmechanicals.com



PLANER JACKS
Operational Manual
Reference # - 54210
Rev. - B
Date - 0711



IMPORTANT - READ CAREFULLY

This manual contains important information about the correct installation, operation and maintenance of this equipment. All persons involved in the installation, operation and maintenance of this equipment must be thoroughly familiar with the contents of this manual. To safeguard against the possibility of personal injury or property damage, follow the recommendations and instructions of this manual. Keep this manual for reference.

WARRANTY STATEMENT

SIMPLEX products are warranted to be free of defects in materials and workmanship under normal use for as long as the original purchaser owns them, subject to the guidelines and limitations listed. This warranty does not cover: normal wear & tear, cosmetic items, abuse, overload-ing, alterations, improper lubrication, or use in a manner for which they are not intended. If the customer believes a product is defective, the product must be delivered, or shipped freight prepaid, to the nearest SIMPLEX Authorized Service Center for evaluation and repair.

RECEIVING INSTRUCTIONS

Important! Make sure to inspect all of the components for shipping damage. If damage is found, notify carrier at once. Shipping damage will not be covered by warranty. The carrier is responsible for all loss associated with shipping damage.

INDEX

English:.....	1-4	Dutch	9-12	Español:.....	17-20
Deutsch:.....	5-8	Italiano	13-16	Français	21-24

CONTENTS

	SECTION
Safe Operating Procedures and Precautions.....	1.0
Technical Specifications	2.0
Jack Operating Instructions	3.0
Maintenance & Lubrication	4.0

- Note -

This Operational Manual is intended as a technical guideline only. SIMPLEX accepts no liability for any use or reliance made of any information in this Operational Manual. All information, illustrations and specifications in this Operational Manual are based on the latest information available at the time of publication. SIMPLEX reserves the right to make changes at any time without notice. Equipment operators and installers shall be responsible for ensuring that a safe working environment and safe systems of work are in place before operating the equipment.



Planer Jacks

1.0 SAFE OPERATING PROCEDURES & SAFETY PRECAUTIONS:



CAUTION: Prior to use, the operator should be instructed by a qualified person in the safe and proper use of the jack for the specific application.



IMPORTANT: Simplex makes no claim that the jacks covered by this document are suitable for any general or particular use and the user assumes all liability arising there from. In addition, to comply with the requirements set forth by ANSI B30.1 Chapters 1-1, 1-2 and 1-3, all jacks should be examined by a qualified person prior to each use for damage, proper lubrication, and wear.



IMPORTANT: The jack should be operated through one complete travel cycle prior to application of load to verify that all mechanisms properly function, and the jack is in good working condition.



WARNING: Never exceed the rated capacity or travel of the jack. Select a jack of greater capacity than the estimated load allowing a large margin of safety.



CAUTION: Never use a jack that is damaged, dirty, improperly lubricated, or malfunctioning. Jacks that fail inspection must be removed from service until repaired by an authorized service center.



WARNING: Do not lift human cargo. Do not allow personnel on or under the load until lifting is complete and the load is secure with proper load supports installed in accordance with OSHA safety and health standards. Ensure that supports have been inspected and approved by a safety engineer or qualified person of authority.



IMPORTANT: Prior to operating the jack to lower the load, read operating instructions. Operator should perform the lowering process and follow the procedure above, taking precautions that all personnel and parts of the human body are clear of the load before lowering.



IMPORTANT: Verify that jack capacity and travel is suitable for the load (Reference 2.0 Technical Specifications table).



IMPORTANT: Make sure that the jack is properly installed and rigidly secured prior to operating.



CAUTION: Make sure that the wrench used for operating the jack is of proper size to fit the hex section of the load screw without slipping.



CAUTION: Apply wrench torque in a controlled manner, making sure that the jack maintains proper alignment and observe during operation for possible slippage or shift of load.



IMPORTANT: Prior to use, the operator should make sure that the area is clear of personnel and objects obstructing work space to safely activate the wrench in both directions. The operator should also check the condition of attachments and make certain that all attachments are properly secured.

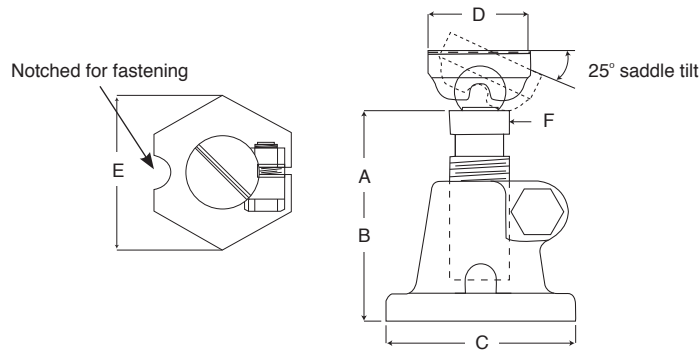


WARNING: Do not exceed safe extension of load screw. Do not apply wrench torque to compress the load after load surfaces have made contact with immovable objects. Do not strike with a hammer or force the wrench in a rocking motion. Such actions could dislodge the jack creating a personal injury hazard.



CAUTION: A load should never be allowed to remain permanently supported or retained by jacks only. After load positioning is complete, the load should be permanently secured or fixed retainers should be installed.

2.0 TECHNICAL SPECIFICATIONS



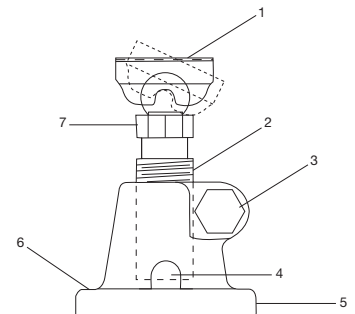
Model	Sustaining Capacity (tonnes)	Operable Rise (mm)	Dimensions (mm)						Weight (lbs)
			A	B	C	D	E	F	
			Minimum Height	Maximum Height	Across Flats	Cap Diameter	Across Points	Hex Across Flats	
PJ1P	1,8	25	70	95	60	31,7	70	19	0,7
PJ2P	3,6	38	95	133	79	42,9	92	25	1,4
PJ3P	5,4	57	133	190	102	52,3	117	32	2,7
PJ4P	7,3	102	190	292	136	63,5	157	38	5,4

3.0 JACK OPERATING INSTRUCTIONS

Prior to installation, the locking screw (3) located on the side of the jack should be loosened until the load screw thread (2) can freely rotate.

Place the jack on a firm foundation, capable of supporting the expected load. Make sure the jack base (5) is properly aligned perpendicular to the load and that the base is fully supported. Also, be sure that the jack is properly supported at the lifting point (1) in a manner that the jack cannot slip or the load cannot shift.

Using a wrench that fits the hex section (7), apply torque to extend or retract the load screw (2). In some instances, the housing (6) of the jack cannot be permanently fixed, the housing (6) may need to be restrained in order to make the load screw (2) extend or retract.



WARNING: Observe the screw during operation to ensure that the bottom of the screw is never extended beyond the top of the safety peephole (4). Exceeding maximum travel could result in loss of stability and cause the load shift. Do not apply wrench torque after the load makes contact with immovable objects, or when maximum travel is reached.

4.0 MAINTENANCE & LUBRICATION INSTRUCTIONS

1. Comply with the inspection, testing and maintenance requirements of ANSI B30.1 as determined from use, experience or as specified by a qualified person of authority.
 - **ANSI B30.1 Safety Standards** - Please visit www.ansi.org and type "jacks" in the search window.
2. Keep jack clean, free of grit, and in good working condition.
3. Lubricate all load screw threads with #2 graphite grease.
4. Lubricate periodically other working parts with a good grade of SAE 20 wt. Oil - avoid lubrication of base and cap load surface.



UNITED STATES HOME OFFICE
777 Oakmont Lane, Ste. 800 - Westmont, IL 60559
Phone: 1 (630) 590-6990 - Fax: 1 (630) 590-6955 - Toll Free: 1 (800) 323-9114
Email: sales@tksimplex.com - www.simplexmechanicals.com