

L-2006

DATE CODES BEGINNING WITH THE LETTER "O".

REV B

08/16

PC5412

MODEL NUMBER CODE

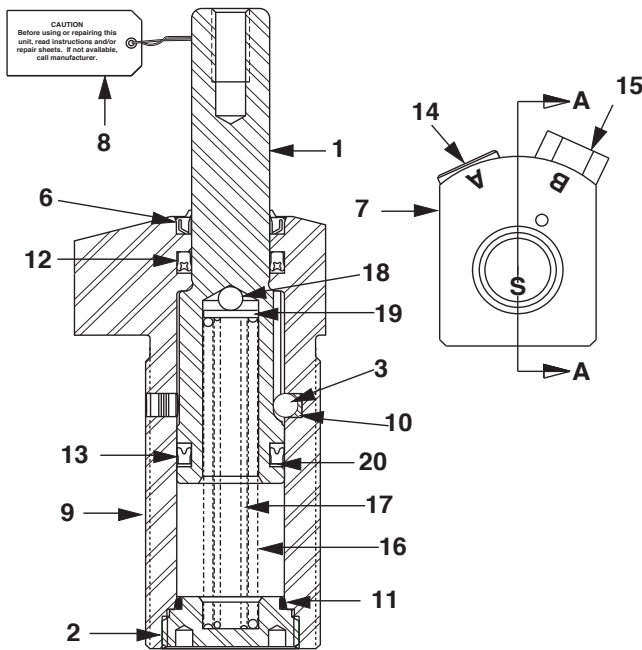
- | | | | | | | |
|----------------------|-------------------------|--------------------------|----------|----------|----------|----------|
| 1 | 2 | 3 | 4 | 5 | 6 | 7 |
| 1. P = Pull cylinder | 3. S = Straight retract | 5. 12 = 12 kN force | | | | |
| 2. T = Threaded body | 4. S = Single-acting | 6. 1 = Imperial | | | | |
| U = Upper flange | D = Double-acting | 7. V = Viton seal option | | | | |
| L = Lower flange | | | | | | |

NOTE: You may need special tools to reassemble these pull cylinders. Tool drawings are available on request from Enerpac. To obtain tool drawings, contact the Enerpac Technical Services Department at 1-800-433-2766. Please be prepared to provide the Model Number and the Manufacturing Date Code of each swing cylinder being serviced.

THREADED BODY MOUNTING STYLE

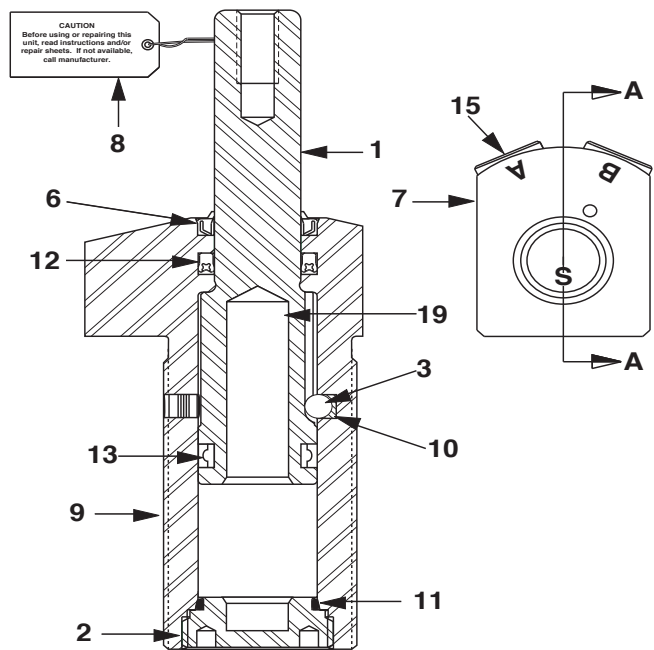
Single-Acting Models

1. Lubricate all seals with Lubriplate prior to assembly.
2. Lubricate ball and washer (items 18 & 19) with Lubriplate.
3. Torque stop ring (item 2) to 8-15 ft-lbs (11-20 Nm).



Double-Acting Models

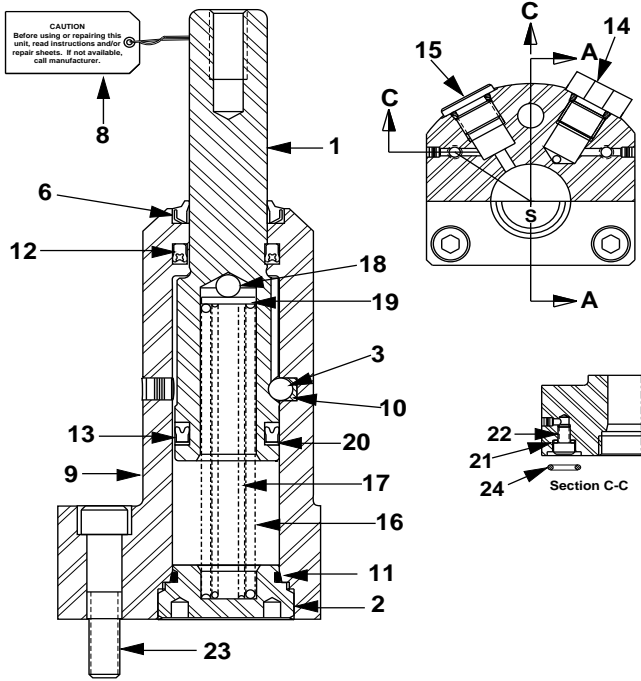
1. Lubricate all seals with Lubriplate prior to assembly.
2. Torque stop ring (item 2) to 8-15 ft-lbs (11-20 Nm).



LOWER FLANGE MOUNTING STYLE

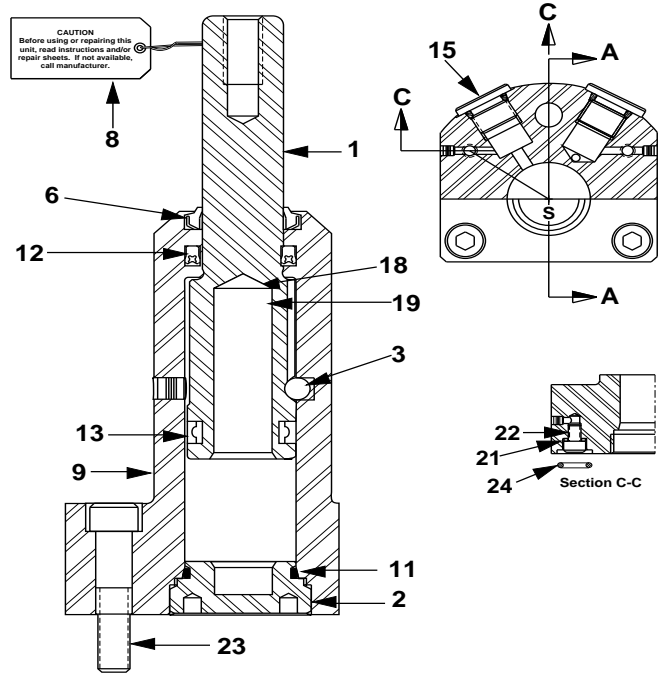
Single-Acting Models

1. Lubricate all seals with Lubriplate prior to assembly.
2. Lubricate ball and washer (items 18 & 19) with Lubriplate.
3. Torque stop ring (item 2) to 8-15 ft-lbs (11-20 Nm).



Double-Acting Models

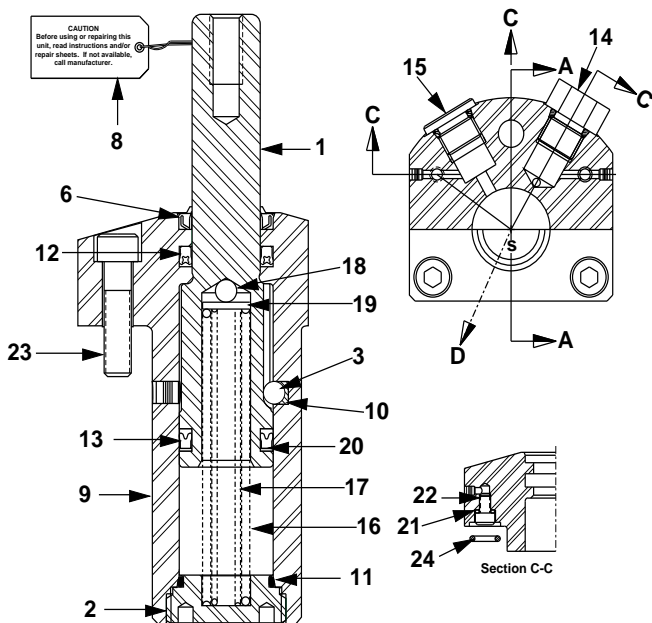
1. Lubricate all seals with Lubriplate prior to assembly.
2. Torque stop ring (item 2) to 8-15 ft-lbs (11-20 Nm).



UPPER FLANGE MOUNTING STYLE

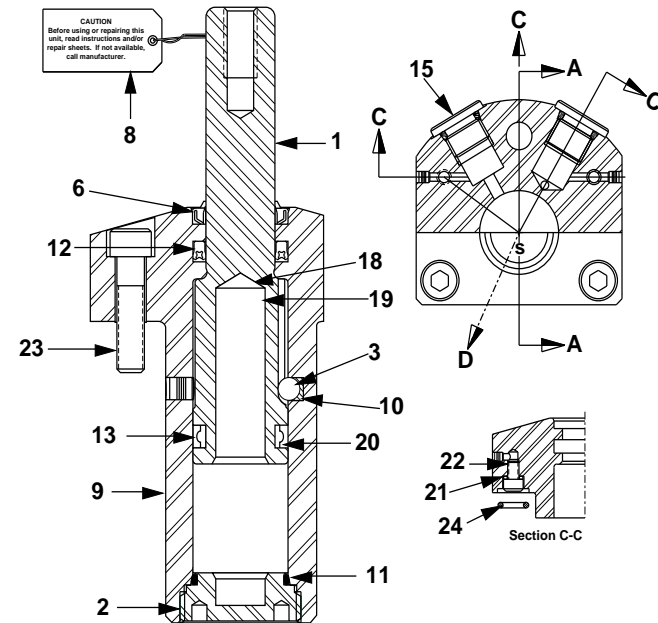
Single-Acting Models

1. Lubricate all seals with Lubriplate prior to assembly.
2. Lubricate ball and washer (items 18 & 19) with Lubriplate.
3. Torque stop ring (item 2) to 8-15 ft-lbs (11-20 Nm).



Double-Acting Models

1. Lubricate all seals with Lubriplate prior to assembly.
2. Torque stop ring (item 2) to 8-15 ft-lbs (11-20 Nm).



REPAIR PARTS LIST FOR 12 kN PULL CYLINDERS

Item No.	Standard Part Number	Viton Part Number	Quantity	Description
1	PA1815040	PA1815040	1	Plunger
2	PA1066044	PA1066044	1	Stop Ring
3	★ B1007016	* B1007016	1	Steel Ball
6	★ DA12141776	* DA12146776	1	Wiper
7	F100026-50	F100026-50	1	PA Label
8	DA5953326	DA5953326	1	Caution Tag
	PA1257005SR	PA1257005SR	1	Base--Threaded Body
9	PA1116005SR	PA1116005SR	1	Base--Lower Flange
	PA1067005SR	PA1067005SR	1	Base--Upper Flange
11	★ B1025803	* B1025203	1	O-Ring
12	★ PA1105041	* PA1111041	1	U-Cup
13	★ PA1104041	* PA1110041	1	U-Cup--Single-Acting
	★ B1214513	* B1214515	1	GT Ring--Double-Acting
14	PA1103950SR	PA1103950SR	1	Vent Plug Assembly
15	B1003006	B1003006V	1	Hex Plug--Single-Acting
	B1003006	B1003006V	2	Hex Plug--Double-Acting
16	★ PA1109110	* PA1109110	1	Spring--Single-Acting
17	★ PA1108110	* PA1108110	1	Spring--Single-Acting
18	★ B1007016	* B1007016	1	Ball--Single-Acting
19	★ PA1107108	* PA1107108	1	Washer--Single-Acting
20	★ B1214564	* B1214564	1	Back-Up--Single-Acting
21	★ PA1303167	* PA1303167	2	Gasket
22	CCA411028-1A	CCA411028-1A	2	Plug Bolt
23	B1352028	B1352028	3	Socket Head Cap Screw -- Upper Flange
	B1354028	B1354028	3	Socket Head Cap Screw -- Lower Flange
24	★ B1011803	* B1011203	2	O-Ring
26	F100009-58	F100009-58	1	Ball Plug

★Items included in and available only as part of Repair Kit SS121K (Single-Acting) or SD121K (Double-Acting).
 *Items included in and available only as part of Repair Kit SS121KV (Single-Acting) or SD121KV (Double-Acting).

Enerpac Worldwide Locations

◆ e-mail: info@enerpac.com

◆ internet: www.enerpac.com

Australia and New Zealand

Actuant Australia Ltd.
P.O. Box 6867
Wetherhill Park, NSW 1851
Block V Unit 3
Regents Park Estate
391 Park Road
Regents Park NSW 2143
Australia
T +61 287 177 200
F +61 297 438 648
sales-au@enerpac.com

Brazil

Power Packer do Brasil Ltda.
Rua Luiz Lawrie Reid, 548
09930-760 - Diadema (SP) - Brazil
T +55 11 5687 2211
Toll Free: 0800 891 5770
vendasbrasil@enerpac.com

China (Taicang)

Actuant (China) Industries Co. Ltd.
No.6 Nanjing East Road,
Taicang Economic Dep Zone
Jiangsu, China
T +86 0512 5328 7500
F +86 0512 5335 9690
Toll Free: +86 400 885 0369
sales-cn@enerpac.com

France, Switzerland, North Africa and French speaking African countries

ENERPAC
Une division d'Actuant France S.A.S
Zone Orlytech Bâtiment 516
1 allée du commandant Mouchotte
CS 40351
91550 Paray-Vieille-Poste
France
T +33 1 60 13 68 68
F +33 1 69 20 37 50
sales-fr@enerpac.com

Germany and Austria

Actuant GmbH
P.O. Box 300113
D-40401 Düsseldorf
Willstätterstrasse 13
D-40549 Düsseldorf, Germany
T +49 211 471 490
F +49 211 471 49 28
sales-de@enerpac.com

India

Actuant India Private Limited
No. 10, Bellary Road, Sadashivanagar,
Bangalore, Karnataka 560 080
India
T +91 80 3928 9000
info@enerpac.co.in

Italy

ENERPAC S.p.A.
Via Canova 4
20094 Corsico (Milano)
T +39 02 4861 111
F +39 02 4860 1288
sales-it@enerpac.com

Japan

Applied Power Japan LTD KK
Besshocho 85-7
Kita-ku, Saitama-shi 331-0821, Japan
T +81 48 662 4911
F +81 48 662 4955
sales-jp@enerpac.com

Middle East, Egypt and Libya

ENERPAC Middle East FZE
Office 423, LOB 15
P.O. Box 18004, Jebel Ali, Dubai
United Arab Emirates
T +971 (0)4 8872686
F +971 (0)4 8872687
sales-ua@enerpac.com

Russia

Rep. office Enerpac
Russian Federation
Admirala Makarova Street 8
125212 Moscow, Russia
T +7 495 98090 91
F +7 495 98090 92
sales-ru@enerpac.com

Norway

Sales Office Norway
Unit 524, Nydalsveien 28, 0484 Oslo
P.O. Box 4814, Nydalen 0422 Oslo
Norway
T +47 91 578 300
insidesalesnorway@enerpac.com

Southeast Asia, Hong Kong and Taiwan

Actuant Asia Pte Ltd.
83 Joo Koon Circle
Singapore 629109
T +65 68 63 0611
F +65 64 84 5669
Toll Free: +1800 363 7722
sales-sg@enerpac.com

South Korea

Actuant Korea Ltd.
3Ba 717, Shihwa Industrial Complex
Jungwang-Dong, Shihung-Shi,
Kyunggi-Do
Republic of Korea 429-450
T +82 31 434 4506
F +82 31 434 4507
sales-kr@enerpac.com

Spain and Portugal

ENERPAC SPAIN, S.L.
Avda. Valdelaparra N° 27 3ª - L8
28108 Alcobendas (Madrid), Spain
T +34 91 884 86 06
F +34 91 884 86 11
sales-es@enerpac.com

Sweden, Denmark Finland and Iceland

Enerpac Scandinavia AB
Kopparlundsvägen 14,
721 30 Västerås
Sweden
T +46 (0) 771 41 50 00
scandinavianinquiries@enerpac.com

The Netherlands, Belgium, Luxembourg, Central and Eastern Europe, Baltic States, Greece, Turkey and CIS countries

ENERPAC B.V.
Galvanistraat 115, 6716 AE Ede
P.O. Box 8097, 6710 AB Ede
The Netherlands
T +31 318 535 911
F +31 318 535 848
sales-nl@enerpac.com

Enerpac Integrated Solutions B.V.

Spinelstraat 15, 7554 TS Hengelo
P.O. Box 421, 7550 AK Hengelo
The Netherlands
T +31 74 242 20 45
F +31 74 243 03 38
integratedsolutions@enerpac.com

South Africa and other English speaking African countries

Enerpac Africa Pty Ltd.
No. 5 Bauhinia Avenue
Cambridge Office Park
Block E
Highveld Techno Park
Centurion 0157
Republic of South Africa
T: +27 12 940 0656
sales-za@enerpac.com

United Kingdom and Ireland

ENERPAC UK Ltd.
5 Coopies Field
Morpeth, Northumberland
NE61 6JR, England
T +44 1670 5010 00
sales-uk@enerpac.com

USA, Latin America and Caribbean

ENERPAC World Headquarters
P.O. Box 3241
Milwaukee WI 53201-3241 USA
N86 W12500 Westbrook Crossing
Menomonee Falls, Wisconsin 53051
T +1 262 293 1600
F +1 262 293 7036
User inquiries:
T +1 800 433 2766
Distributor inquiries/orders:
T +1 800 558 0530
F +1 800 628 0490
Technical inquiries:
techservices@enerpac.com
sales-us@enerpac.com

All Enerpac products are
guaranteed against defects
in workmanship and materials
for as long as you own them.

For the location of your nearest
authorized Enerpac Service Center,
visit us at www.enerpac.com