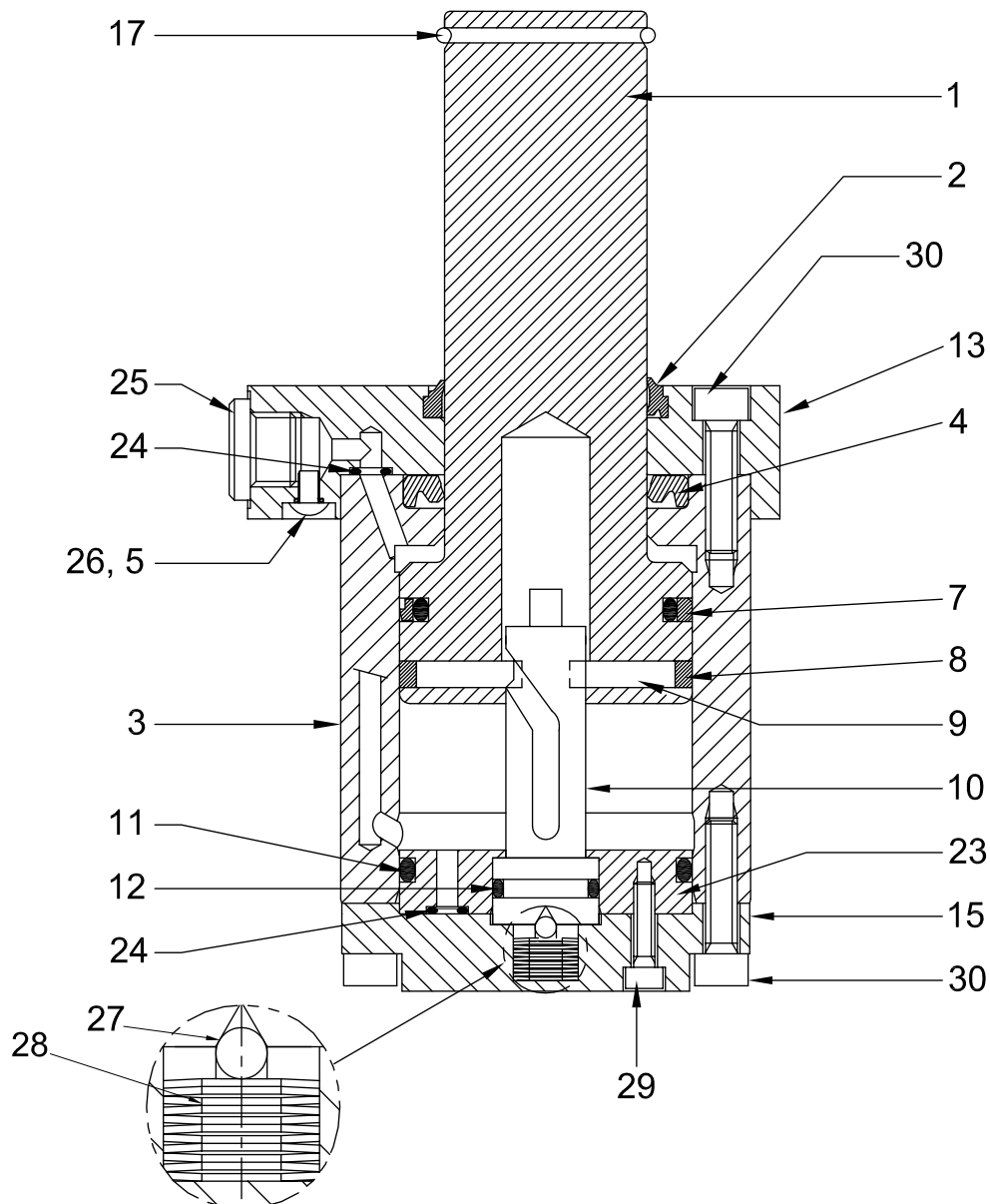


MODEL NUMBER CODE

- |  |   |                                      |                      |                   |                     |   |                          |
|--|---|--------------------------------------|----------------------|-------------------|---------------------|---|--------------------------|
| 1  | 2 | 3                                    | 4                    | 5                 | 6                   | 7   | 8                        |
| 1. S = swing cylinder<br>2. U = upper flange |   | 3. R = right swing<br>L = left swing | 4. D = double-acting | 5. L = longstroke | 6. 35 = 35 kN force | 7. 1 = imperial body type<br>2 = metric body type | 8. V = Viton seal option |

1. Lubricate all seals with Lubriplate prior to assembly.
2. Torque item 5 to 22-26 *in.-lbs.* [2,5-3 Nm].
3. Torque item 29 to 37-44 *in.-lbs.* [4,2-5 Nm].
4. Torque item 30 to 11-12.5 *ft.-lbs.* [15-17 Nm].



**To Protect Your Warranty, Use Only ENERPAC Hydraulic Oil.**

Enerpac recommends that all kit components be installed to insure optimum performance of the repaired product.

**REPAIR PARTS LIST FOR 35 KN LONG STROKE SWING CYLINDERS**

<b>Item No.</b>	<b>Standard Part Number</b>	<b>Viton Part Number</b>	<b>Qty.</b>	<b>Description</b>
1	DA11232040	DA11232040	1	Plunger
2	★CZ297041	*CZ298041	1	Wiper
3	DA11998005	DA11998005	1	Base
4	★DW1040041 (not available)	(not available) *CZ299041	1 1	U-Cup Stepseal
5	CBA411028-1E	CBA411028-1E	4	HSRH Screw
7	★CZ307041	*CZ300041	1	Glydring
8	★CZ324071	*CZ324071	2	Nylon Disc
9	CZ308061	CZ308061	2	Needle
10	DA11231149	DA11231149	1	Index Rod (left)
	DA12026149	DA12026149	1	Index Rod (right)
11	★B1225903	*B1225203	1	O-Ring
12	★B1113803	*B1113203	1	O-Ring
13	CZ314004	CZ314004	1	Upper Flange (metric)
	CZ319004	CZ319004	1	Upper Flange (imperial)
15	CZ303044	CZ303044	1	End Plate
17	★CZ310044	*CZ310044	1	Snap Ring
23	CZ325225	CZ325225	1	Insert
24	★B1008803	*B1008203	3	O-Ring
25	CS235006	F100006-1	2	BSPP Plug
	B1003006	B1003006V	2	SAE Plug
26	★CZ391041	*CZ397041	4	O-Ring
27	CAA429061-2A	CAA429061-2A	1	Dowel Pin
28	CZ385110	CZ385110	10	Spring Disc
29	CCA419028-1A	CCA419028-1A	3	HSHC Screw
30	CCA621028-1A	CCA621028-1A	20	HSHC Screw
31	★CZ392041	*CZ398041	2	O-Ring (not shown)
32	CCA1025028-1A	CCA1025028-1A	4	SHC Screw (metric) (not shown)
	B1072028	B1072028	4	SHC Screw (imperial) (not shown)

★ Indicates Items included in and available only as part of Repair Kit SD352K.  
\* Indicates Items included in and available only as part of Repair Kit SD352KV.

**Notes - Item #4:**

- For older cylinders equipped with standard seals, a U-Cup (part number DW1040041) replaces the stepseal (part number CZ306041) that was previously used.
- For all cylinders equipped with Viton seals, the stepseal (part number CZ299041) continues in use.



**POWERFUL SOLUTIONS. GLOBAL FORCE.**

◆ e-mail: [info@enerpac.com](mailto:info@enerpac.com)

◆ internet: [www.enerpac.com](http://www.enerpac.com)