

L1786 Rev. E 03/06

For Date Codes Beginning with the Letter "O"

#### MODEL NUMBER CODE

- |  |   |
|--|---|
| <b>1</b> S = swing cylinder  | <b>4</b> S = single-acting<br>D = double-acting         |
| <b>2</b> T = threaded body<br>U = upper flange<br>L = lower flange | <b>5</b> 5 = 5 kN force                                 |
| <b>3</b> R = right swing<br>L = left swing<br>S = straight swing   | <b>6</b> 1 = imperial body type<br>2 = metric body type |
|  | <b>7</b> V = Viton seal option                          |

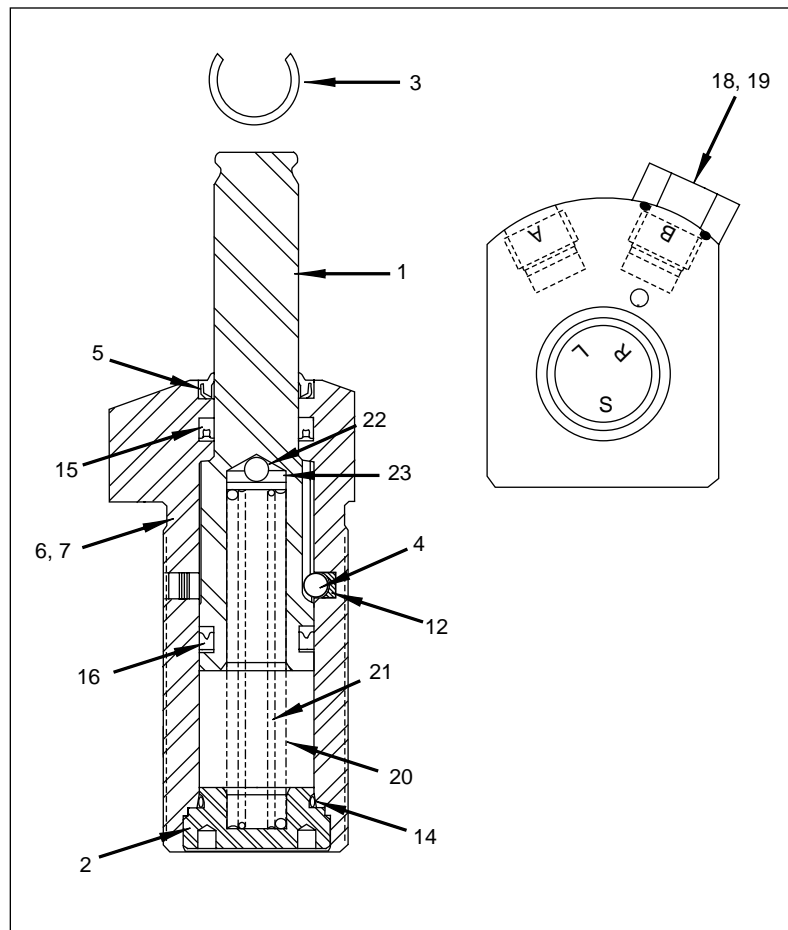
#### THREADED BODY MOUNTING STYLE

##### Setting Rotation Direction

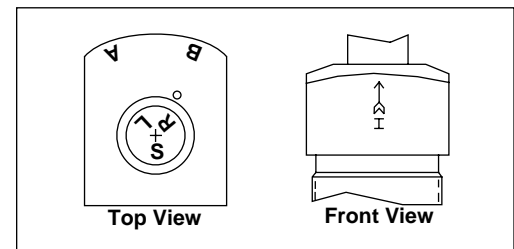
- When inserting plunger into base, align desired letter to arrow head stamped on side of cylinder body.  
**R** = right swing rotation      **L** = left swing rotation  
**S** = straight (no rotation)
- Insert plunger with proper tools. You may have to turn the plunger as you insert it to properly align ball in groove.

#### SINGLE-ACTING MODELS

- Lubricate all seals with Lubriplate prior to assembly.
- Lubricate ball and washer (items 18 & 19) with Lubriplate.
- Torque stop ring (item 2) to 8-15 ft-lbs (11-20 Nm).

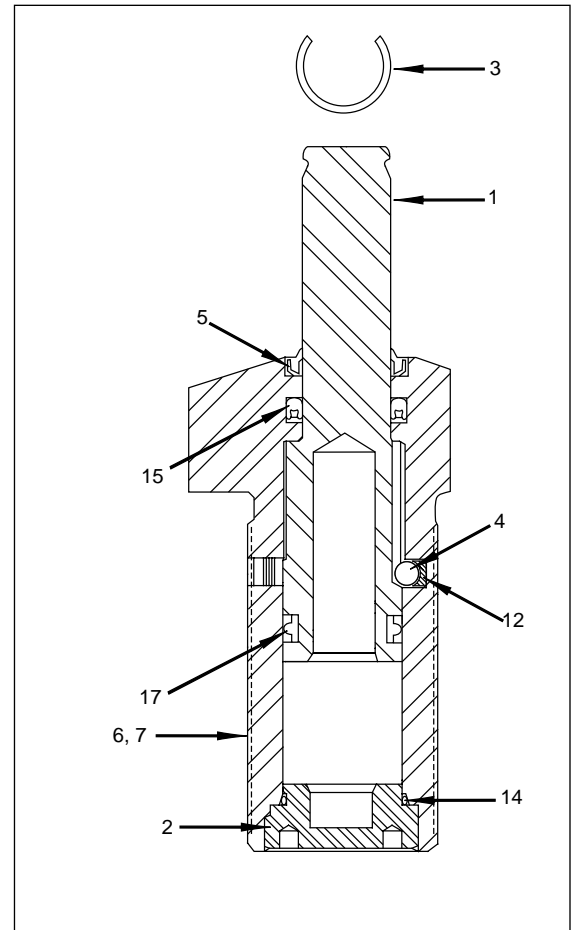


**NOTE:** You may need special tools to reassemble these swing cylinders. Tool drawings are available on request from Enerpac. To obtain tool drawings, contact the Enerpac Technical Services Department at 1-800-433-2766. Please be prepared to provide the Model Number and the Manufacturing Date Code of each swing cylinder being serviced.



#### DOUBLE-ACTING MODELS

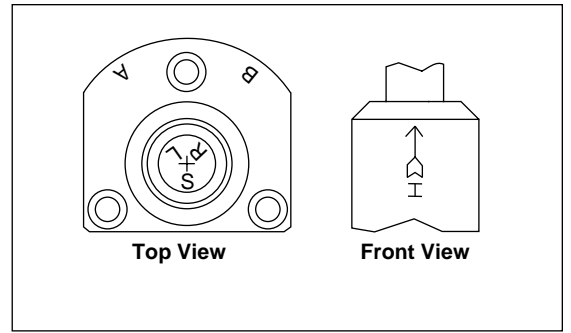
- Lubricate all seals with Lubriplate prior to assembly.
- Torque stop ring (item 2) to 8-15 ft-lbs (11-20 Nm).



## LOWER FLANGE MOUNTING STYLE

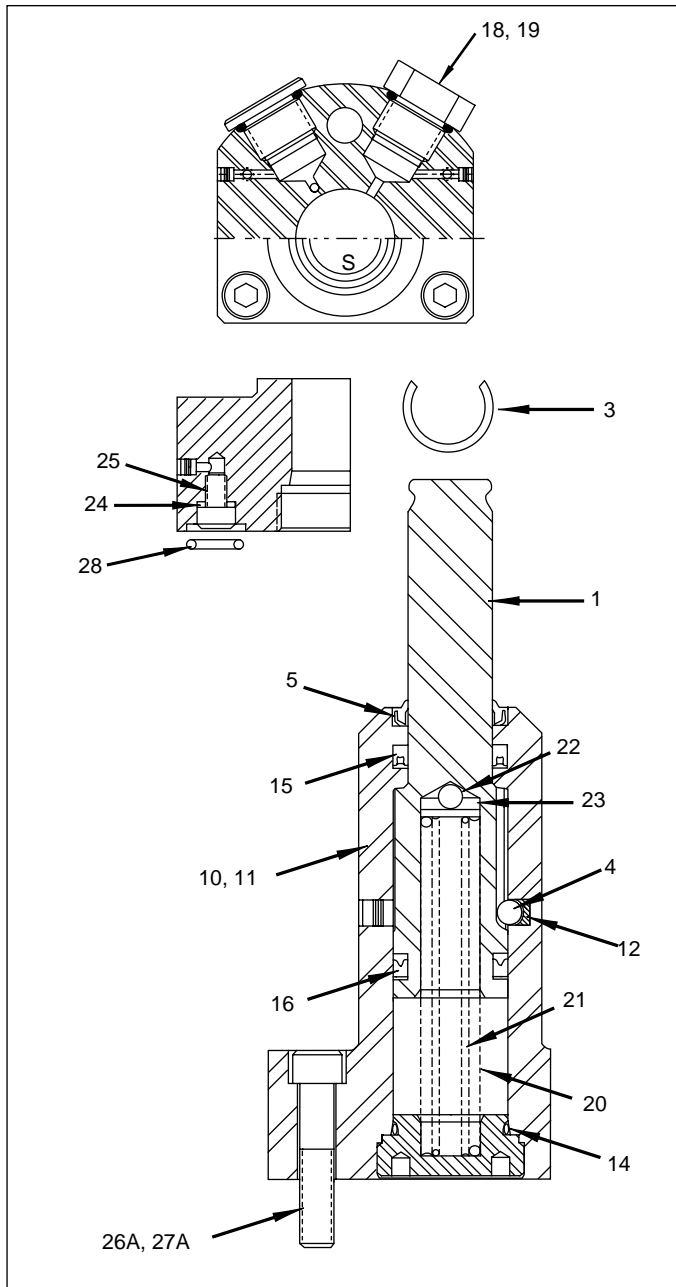
### Setting Rotation Direction

- When inserting plunger into base, align desired letter to arrow head stamped on side of cylinder body.  
**R** = right swing rotation      **L** = left swing rotation  
**S** = straight (no rotation)
- Insert plunger with proper tools. You may have to turn the plunger as you insert it to properly align ball in groove.



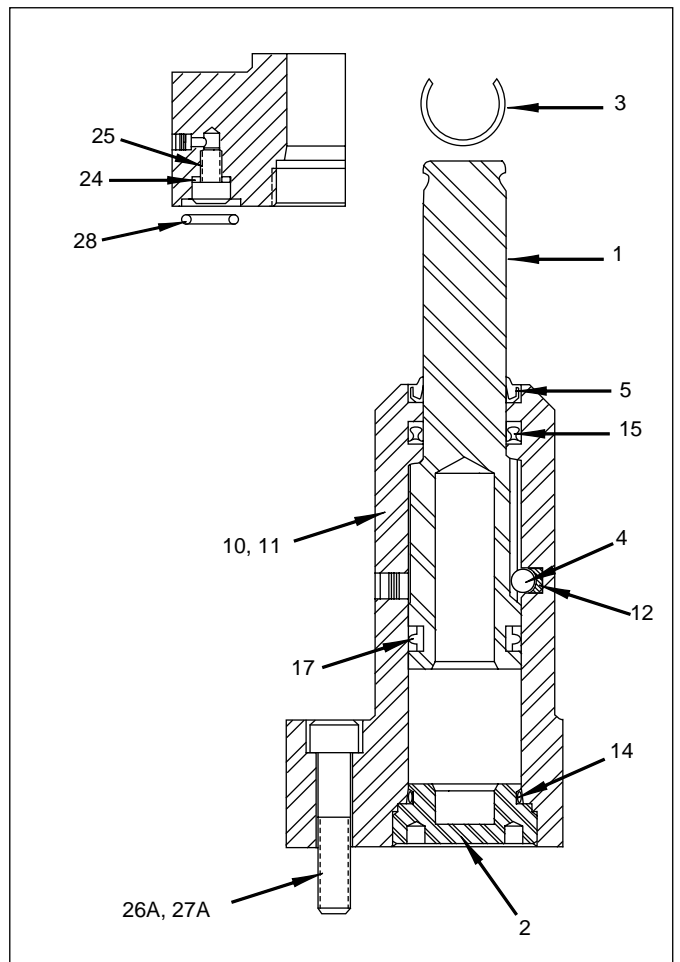
## SINGLE-ACTING MODELS

- Lubricate all seals with Lubriplate prior to assembly.
- Lubricate ball and washer (items 18 & 19) with Lubriplate.
- Torque stop ring (item 2) to 8-15 ft-lbs (11-20 Nm).



## DOUBLE-ACTING MODELS

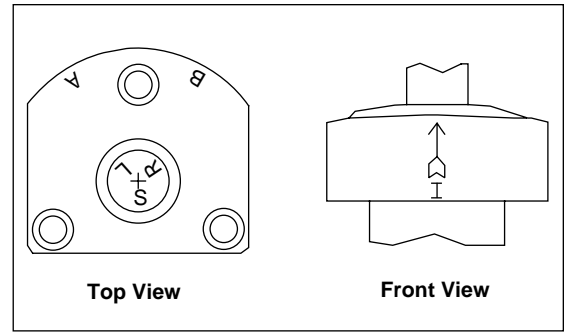
- Lubricate all seals with Lubriplate prior to assembly.
- Torque stop ring (item 2) to 8-15 ft-lbs (11-20 Nm).



## UPPER FLANGE MOUNTING STYLE

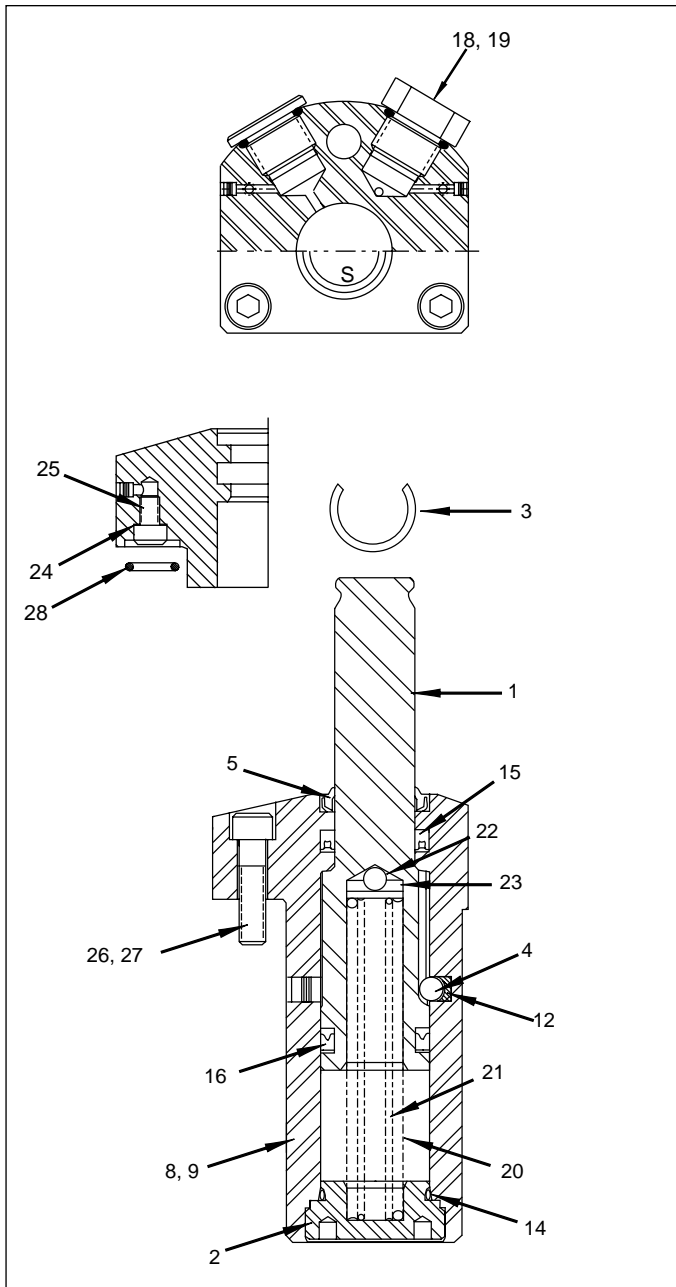
### Setting Rotation Direction

- When inserting plunger into base, align desired letter to arrow head stamped on side of cylinder body.  
**R** = right swing rotation      **L** = left swing rotation  
**S** = straight (no rotation)
- Insert plunger with proper tools. You may have to turn the plunger as you insert it to properly align ball in groove.



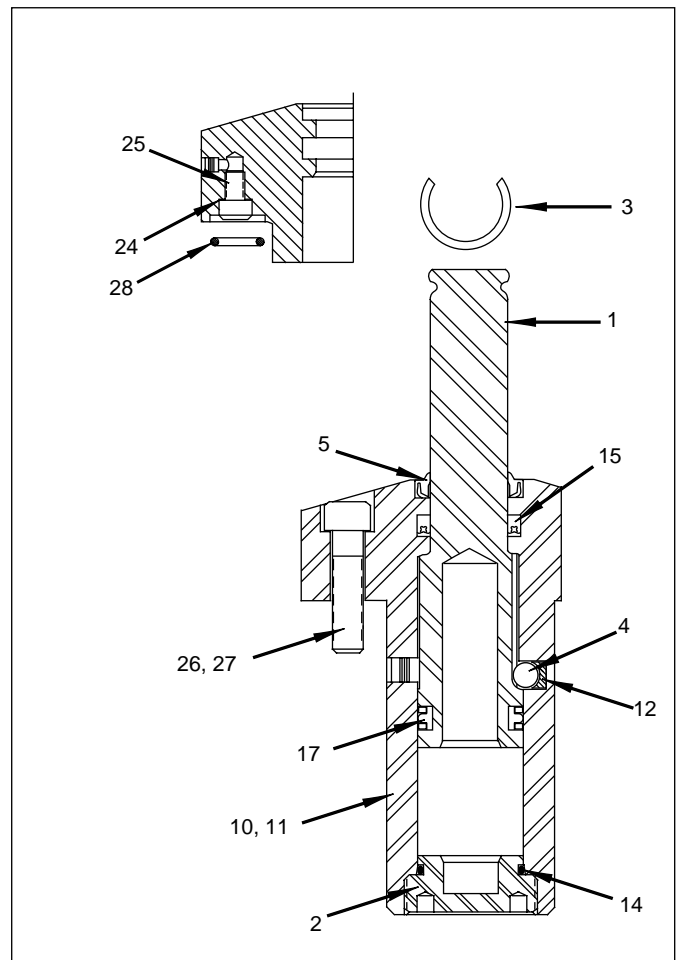
## SINGLE-ACTING MODELS

- Lubricate all seals with Lubriplate prior to assembly.
- Lubricate ball and washer (items 18 & 19) with Lubriplate.
- Torque stop ring (item 2) to 8-15 ft-lbs (11-20 Nm).



## DOUBLE-ACTING MODELS

- Lubricate all seals with Lubriplate prior to assembly.
- Torque stop ring (item 2) to 8-15 ft-lbs (11-20 Nm).



## Repair Parts List for 5 KN Swing Cylinders

Item	Standard Part Number	Viton Part Number	Qty.	Description
1	PA1234040	PA1234040	1	Plunger
2	PA1252044	PA1252044	1	Stop Ring
3	★ PA1157049	† PA1157049	1	Retaining Ring
4	★ F100016-5	† F100016-5	1	Ball
5	★ PA1133776	† PA1797776	1	Wiper
6	PA1240005SR	PA1240005SR	1	Base – Threaded (imperial)
7	PA1248005SR	PA1248005SR	1	Base – Threaded (metric)
8	PA1241005SR	PA1241005SR	1	Base – Upper Flange (imperial)
9	PA1249005SR	PA1249005SR	1	Base – Upper Flange (metric)
10	PA1242005SR	PA1242005SR	1	Base – Lower Flange (imperial)
11	PA1250005SR	PA1250005SR	1	Base – Lower Flange (metric)
12	★ PA1403054	† PA1403054	1	Ball Cup
14	★ B1018803	† B1018203	1	O-Ring
15	★ PA1149041	† PA1153041	1	U-Cup
16	★ PA1141041	† PA1145041	1	U-Cup (single-acting)
17	★ B1208513	† PA1254515	1	GT-Ring (double-acting)
18	PA1103950SR	PA1103950SR	1	Vent Plug (single-acting) (imperial)
19	PA1267950SR	PA1267950SR	1	Vent Plug (single-acting) (metric)
20	★ PA1404110	† PA1404110	1	Spring (single-acting)
21	★ PA1405110	† PA1405110	1	Spring (single-acting)
22	★ F100016-5	† F100016-5	1	Ball (single-acting)
23	★ PA1201108	† PA1201108	1	Washer (single-acting)
24	★ PA1303167	† PA1303167	2	Gasket
25	CCA411028-1A	CCA411028-1A	2	Bolt
26	B1014028	B1014028	3	Bolt – Upper Flange (imperial)
26A	B1016028	B1016028	3	Bolt – Lower Flange (imperial)
27	CCA623028-1A	CCA623028-1A	3	Bolt – Upper Flange (metric)
27A	CCA625028-1A	CCA625028-1A	3	Bolt – Lower Flange (metric)
28	★ B1011803	† B1011203	2	O-Ring

★ Items included in and available only as part of Repair Kit SS51K (single-acting) or SD51K (double-acting).  
 Items included in and available only as part of Repair Kit SS51KV (single-acting) or SD51KV (double-acting).

### Enerpac Worldwide Locations

**Africa**  
 ENERPAC Middle East FZE  
 P.O. Box 18004  
 Jebel Ali, Dubai  
 United Arab Emirates  
 Tel: +971 (0)4 8872686  
 Fax: +971 (0)4 8872687

**Australia**  
 Actuant Australia Ltd.  
 Block V Unit 3  
 Regents Park Estate  
 391 Park Road  
 Regents Park NSW 2143  
 (P.O. Box 261) Australia  
 Tel: +61 297 438 988  
 Fax: +61 297 438 648

**Brazil**  
 Power Packer do Brasil Ltda.  
 Rua dos Inocentes, 587  
 04764-050 - Sao Paulo (SP)  
 Tel: +55 11 5687 2211  
 Fax: +55 11 5686 5583  
**Toll Free in Brazil:**  
 Tel: 0800 891 5770  
 vendasbrasil@enerpac.com

**Canada**  
 Actuant Canada Corporation  
 6615 Ordan Drive, Unit 14-15  
 Mississauga, Ontario L5T 1X2  
 Tel: +1 905 564 5749  
 Fax: +1 905 564 0305  
**Toll Free:**  
 Tel: +1 800 268 4987  
 Fax: +1 800 461 2456  
**Technical Inquiries:**  
 techservices@enerpac.com

**China**  
 Actuant China Ltd.  
 1F, 269 Fute N. Road  
 Waigaoqiao Free Trade Zone  
 Pudong New District  
 Shanghai, 200 131 China  
 Tel: +86 21 5866 9099  
 Fax: +86 21 5866 7156

**Actuant China Ltd. (Beijing)**  
 709B Diyang Building  
 Xin No. 2  
 Dong San Huan North Rd.  
 Beijing City  
 100028 China  
 Tel: +86 10 845 36166  
 Fax: +86 10 845 36220

**Central and Eastern Europe, Greece**  
 ENERPAC B.V.  
 Galvanistraat 115  
 P.O. Box 8097  
 6710 AB Ede  
 The Netherlands  
 Tel: +31 318 535 936  
 Fax: +31 318 535 951

**France, Switzerland francophone**  
 ENERPAC  
 Une division de ACTUANT  
 France S.A.  
 B.P. 200, Parc d'Activités  
 du Moulin de Massy  
 F-91882 Massy CEDEX France  
 Tel: +33 1 60 13 68 68  
 Fax: +33 1 69 20 37 50

◆ e-mail: info@enerpac.com

**Germany, Austria, Greece and Switzerland**  
 ENERPAC GmbH  
 P.O. Box 300113  
 D-40401 Düsseldorf  
 Germany  
 Tel: +49 211 471 490  
 Fax: +49 211 471 49 28

**India**  
 ENERPAC Hydraulics  
 (India) Pvt. Ltd.  
 Office No. 9, 10 & 11,  
 Plot No. 56, Monarch Plaza,  
 Sector 11, C.B.D. Belapur  
 Navi Mumbai 400614, India  
 Tel: +91 22 2756 6090  
 Tel: +91 22 2756 6091  
 Fax: +91 22 2756 6095

**Italy**  
 ENERPAC S.p.A.  
 Via Canova 4  
 20094 Corsico (Milano)  
 Tel: +39 02 4861 111  
 Fax: +39 02 4860 1288

**Japan**  
 Applied Power Japan Ltd.  
 Besshochou 85-7  
 Saitama-shi, Kita-ku,  
 Saitama 331-0821  
 Japan  
 Tel: +81 48 662 4911  
 Fax: +81 48 662 4955

**Middle East, Turkey and Caspian Sea**  
 ENERPAC Middle East FZE  
 P.O. Box 18004  
 Jebel Ali, Dubai  
 United Arab Emirates  
 Tel: +971 (0)4 8872686  
 Fax: +971 (0)4 8872687

**Russia and CIS (excl. Caspian Sea Countries)**  
 Actuant LLC  
 Admiral Makarov Street 8  
 125212 Moscow, Russia  
 Tel: +7-495-9809091  
 Fax: +7-495-9809092

**Singapore**  
 Actuant Asia Pte. Ltd.  
 25 Serangoon North Ave. 5  
 #03-01 Keppel Digihub  
 Singapore 554914  
 Thomson Road  
 P.O. Box 114  
 Singapore 915704  
 Tel: +65 64 84 5108  
 +65 64 84 3737  
 Fax: +65 64 84 5669  
 +1800 363 7722  
**Technical Inquiries:**  
 techsupport@enerpac.com.sg

**South Korea**  
 Actuant Korea Ltd.  
 3Ba 717,  
 Shihwa Industrial Complex  
 Jungwang-Dong, Shihung-Shi,  
 Kyunggi-Do  
 Republic of Korea 429-450  
 Tel: +82 31 434 4506  
 Fax: +82 31 434 4507

◆ internet: www.enerpac.com

**Spain and Portugal**  
 ENERPAC  
 C/San José Artesano 8  
 Pol. Ind.  
 28108 Alcobendas  
 (Madrid) Spain  
 Tel: +34 91 661 11 25  
 Fax: +34 91 661 47 89

**The Netherlands, Belgium, Luxembourg, Sweden, Denmark, Norway, Finland and Baltic States**  
 ENERPAC B.V.  
 Galvanistraat 115  
 P.O. Box 8097, 6710 AB Ede  
 The Netherlands  
 Tel: +31 318 535 911  
 Fax: +31 318 525 613  
 +31 318 535 848

**Technical Inquiries Europe:**  
 techsupport.europe@enerpac.com

**United Kingdom, Ireland**  
 Enerpac Ltd  
 Bentley Road South  
 Darlaston, West Midlands  
 WS10 8LQ, United Kingdom  
 Tel: +44 (0)121 50 50 787  
 Fax: +44 (0)121 50 50 799

**USA, Latin America and Caribbean**  
 ENERPAC  
 P.O. Box 3241  
 6100 N. Baker Road  
 Milwaukee, WI 53209 USA  
 Tel: +1 262 781 6600  
 Fax: +1 262 783 9562

**Inquiries/orders:**  
 +1 800 558 0530

**Technical Inquiries:**  
 techservices@enerpac.com

**All Enerpac products are guaranteed against defects in workmanship and materials for as long as you own them. For your nearest authorized Enerpac Service Center, visit us at [www.enerpac.com](http://www.enerpac.com)**