

L-2004

DATE CODES BEGINNING WITH THE LETTER "O".

Rev. B

05/08

PC5412

MODEL NUMBER CODE

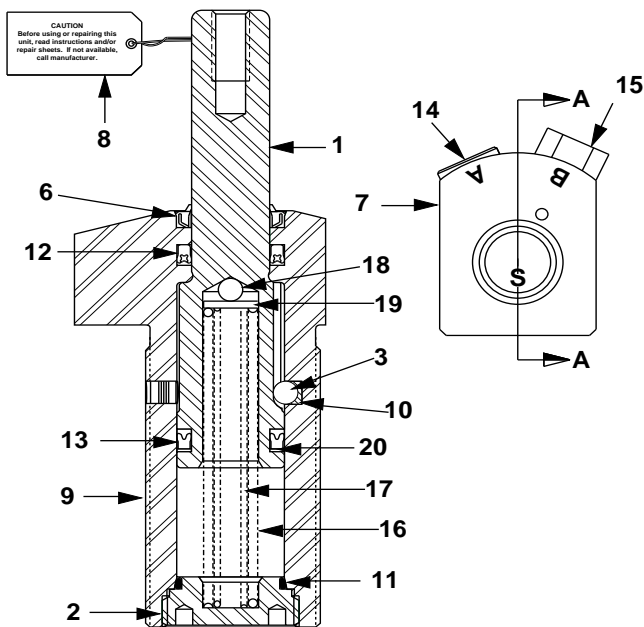
- | | | | | | | |
|----------------------|----------------------|-------------------------|----------------------|-------------------|-----------------|--------------------------|
| 1 | 2 | 3 | 4 | 5 | 6 | 7 |
| 1. P = Pull cylinder | 2. T = Threaded body | 3. S = Straight retract | 4. S = Single-acting | 5. 5 = 5 kN force | 6. 1 = Imperial | 7. V = Viton seal option |
| | U = Upper flange | | D = Double-acting | | 2 = Metric | |
| | L = Lower flange | | | | | |

NOTE: You may need special tools to reassemble these pull cylinders. Tool drawings are available on request from Enerpac. To obtain tool drawings, contact the Enerpac Technical Services Department at 1-800-433-2766. Please be prepared to provide the Model Number and the Manufacturing Date Code of each swing cylinder being serviced.

THREADED BODY MOUNTING STYLE

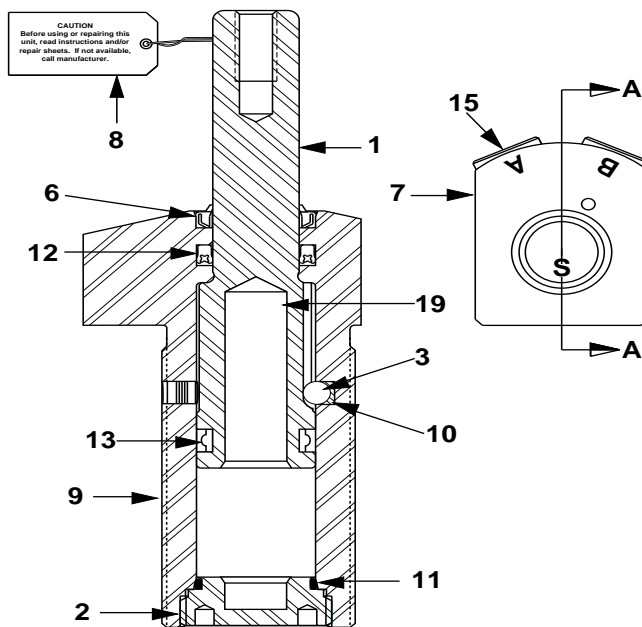
Single-Acting Models

1. Lubricate all seals with Lubriplate prior to assembly.
2. Lubricate ball and washer (items 18 & 19) with Lubriplate.
3. Torque stop ring (item 2) to 8-15 ft-lbs (11-20 Nm).



Double-Acting Models

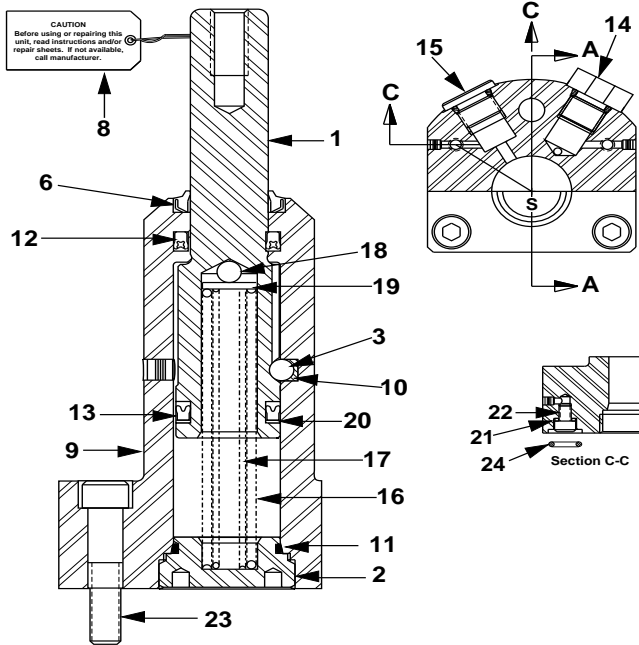
1. Lubricate all seals with Lubriplate prior to assembly.
2. Torque stop ring (item 2) to 8-15 ft-lbs (11-20 Nm).



LOWER FLANGE MOUNTING STYLE

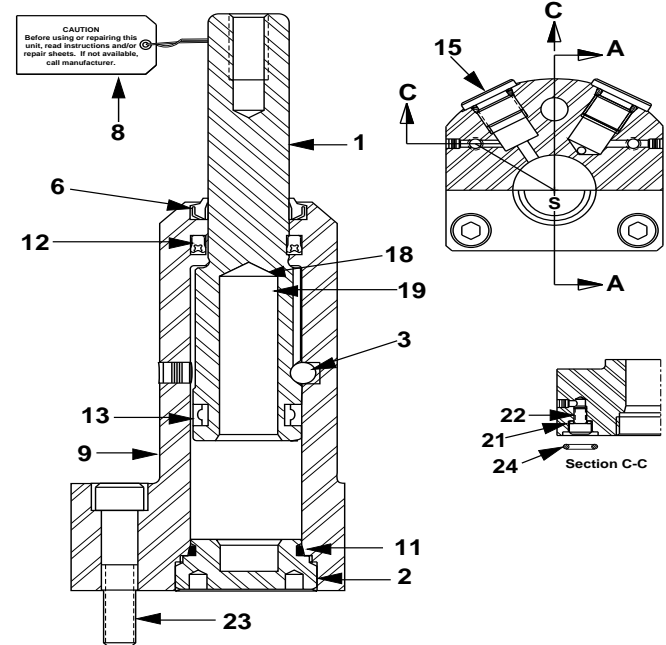
Single-Acting Models

1. Lubricate all seals with Lubriplate prior to assembly.
2. Lubricate ball and washer (items 18 & 19) with Lubriplate.
3. Torque stop ring (item 2) to 8-15 ft-lbs (11-20 Nm).



Double-Acting Models

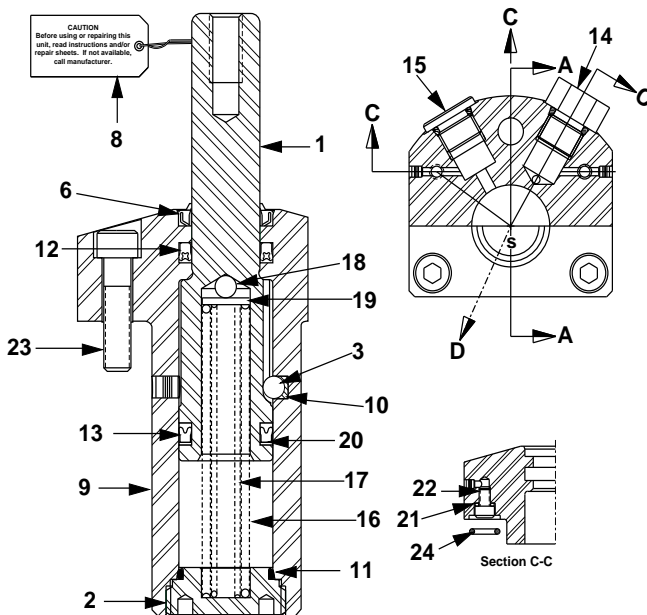
1. Lubricate all seals with Lubriplate prior to assembly.
2. Torque stop ring (item 2) to 8-15 ft-lbs (11-20 Nm).



UPPER FLANGE MOUNTING STYLE

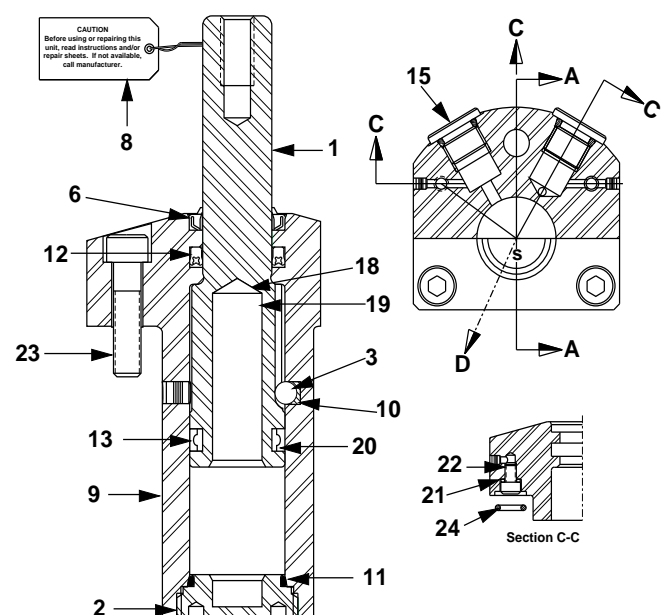
Single-Acting Models

1. Lubricate all seals with Lubriplate prior to assembly.
2. Lubricate ball and washer (items 18 & 19) with Lubriplate.
3. Torque stop ring (item 2) to 8-15 ft-lbs (11-20 Nm).



Double-Acting Models

1. Lubricate all seals with Lubriplate prior to assembly.
2. Torque stop ring (item 2) to 8-15 ft-lbs (11-20 Nm).



REPAIR PARTS LIST FOR 5 kN PULL CYLINDERS

Item No.	Standard Part Number	Viton Part Number	Quantity	Description
1	PA1817040	PA1817040	1	Plunger--Imperial
1	DA12209040	DA12209040	1	Plunger--Metric
2	PA1252044	PA1252044	1	Stop Ring
3	★ F100016	* F100016	1	Steel Ball
6	★ PA1133776	* PA1133776	1	Wiper
7	F100026-50	F100026-50	1	PA Label
8	DA5953326	DA5953326	1	Caution Tag
9	PA1240005SR	PA1240005SR	1	Base--Threaded Body (Imperial)
	PA1248005SR	PA1248005SR	1	Base--Threaded Body (Metric)
	PA1242005SR	PA1242005SR	1	Base--Lower Flange (Imperial)
	PA1250005SR	PA1250005SR	1	Base--Lower Flange (Metric)
	PA1241005SR	PA1241005SR	1	Base--Upper Flange (Imperial)
	PA1249005SR	PA1249005SR	1	Base--Upper Flange (Metric)
10	★ PA1403054	* PA1403054	1	Ball Cup
11	★ B1018803	* B1018203	1	O-Ring
12	★ PA1149041	* PA1153041	1	U-Cup
13	★ PA1141041	* PA1145041	1	U-Cup--Single-Acting
	★ PA1253513	* PA1254515	1	GT Ring--Double-Acting
14	PA1103950SR	PA1103950SR	1	Vent Plug--Imperial (Single-Acting)
	PA1267950SR	PA1267950SR	1	Vent Plug--Metric (Single-Acting)
15	B1003006	B1003006V	1	SAE Plug--Imperial (Single-Acting)
	B1003006	B1003006V	2	SAE Plug--Imperial (Double-Acting)
	CS236006	F100006	1	BSPP Plug--Metric (Single-Acting)
	CS236006	F100006	2	BSPP Plug--Metric (Double-Acting)
16	★ PA1404110	* PA1404110	1	Spring--Single-Acting Only
17	★ PA1405110	* PA1405110	1	Spring--Single-Acting Only
18	★ F100016-5	* F100016-5	1	Ball--Single-Acting Only
19	★ PA1201108	* PA1201108	1	Washer--Single-Acting Only
21	★ PA1303167	* PA1303167	2	Gasket
22	CCA411028-1A	CCA411028-1A	2	Plug Bolt
23	B1014028	B1014028	3	Socket Head Cap Screw
	CCA623028-1A	CCA623028-1A	3	Socket Head Cap Screw
24	★ B1011803	* B1011203	2	O-Ring

★Items included in and available only as part of Repair Kit SS51K (single-acting) or SD51K (double-acting).
 *Items included in and available only as part of Repair Kit SS51KV (single-acting) or SD51KV (double-acting).

Enerpac Worldwide Locations

Africa

ENERPAC Middle East FZE
Office 423, JAFZA 15
P.O. Box 18004
Jebel Ali, Dubai
United Arab Emirates
Tel: +971 (0)4 8872686
Fax: +971 (0)4 8872687

Australia, New Zealand

Actuant Australia Ltd.
Block V Unit 3
Regents Park Estate
391 Park Road
Regents Park NSW 2143
(P.O. Box 261) Australia
Tel: +61 297 438 988
Fax: +61 297 438 648

Brazil

Power Packer do Brasil Ltda.
Rua dos Inocentes, 587
04764-050 - Sao Paulo (SP)
Tel: +55 11 5687 2211
Fax: +55 11 5686 5583
Toll Free in Brazil:
Tel: 0800 891 5770
vendasbrasil@enerpac.com

Canada

Actuant Canada Corporation
6615 Ordan Drive, Unit 14-15
Mississauga, Ontario L5T 1X2
Tel: +1 905 564 5749
Fax: +1 905 564 0305
Toll Free:
Tel: +1 800 268 4987
Fax: +1 800 461 2456
Technical Inquiries:
techservices@enerpac.com

China

Actuant China Ltd.
1F, 269 Fute N. Road
Waigaoqiao Free Trade Zone
Pudong New District
Shanghai, 200 131 China
Tel: +86 21 5866 9099
Fax: +86 21 5866 7156

◆ e-mail: info@enerpac.com

Actuant China Ltd. (Beijing)

709B Diyang Building
Xin No. 2
Dong San Huan North Rd.
Beijing City
100028 China
Tel: +86 10 845 36166
Fax: +86 10 845 36220

Central and Eastern Europe, Greece

ENERPAC GmbH
P.O. Box 300113
D-40401 Düsseldorf
Willstätterstrasse13
D-40549 Düsseldorf
Germany
Tel: +49 211 471 490
Fax: +49 211 471 49 28

France, Switzerland francophone

ACTUANT - ENERPAC
France S.A., ZA de Courtaboeuf
32, avenue de la Baltique
91140 Villebon / Yvette
France
Tel: +33 1 60 13 68 68
Fax: +33 1 69 20 37 50

Germany, Austria and Switzerland

ENERPAC GmbH
P.O. Box 300113
D-40401 Düsseldorf
Willstätterstrasse13
D-40549 Düsseldorf
Germany
Tel: +49 211 471 490
Fax: +49 211 471 49 28

India

ENERPAC Hydraulics
(India) Pvt. Ltd.
Office No. 9,10 & 11,
Plot No. 56, Monarch Plaza,
Sector 11, C.B.D. Belapur
Navi Mumbai 400614, India
Tel: +91 22 2756 6090
Tel: +91 22 2756 6091
Fax: +91 22 2756 6095

Italy

ENERPAC S.p.A.
Via Canova 4
20094 Corsico (Milano)
Tel: +39 02 4861 111
Fax: +39 02 4860 1288

Japan

Applied Power Japan Ltd.
Besshochou 85-7
Saitama-shi, Kita-ku,
Saitama 331-0821
Japan
Tel: +81 48 662 4911
Fax: +81 48 662 4955

Middle East, Turkey and Caspian Sea

ENERPAC Middle East FZE
Office 423, JAFZA 15
P.O. Box 18004
Jebel Ali, Dubai
United Arab Emirates
Tel: +971 (0)4 8872686
Fax: +971 (0)4 8872687

Russia and CIS

(excl. Caspian Sea Countries)

Actuant LLC
Admiral Makarov Street 8
125212 Moscow, Russia
Tel: +7-495-9809091
Fax: +7-495-9809092

Singapore

Actuant Asia Pte. Ltd.
37C, Benoi Road Pioneer Lot,
Singapore 627796
Tel: +65 68 63 0611
Fax: +65 64 84 5669
Toll Free: +1800 363 7722
Technical Inquiries:
techsupport@enerpac.com.sg

◆ internet: www.enerpac.com

South Korea

Actuant Korea Ltd.
3Ba 717,
Shihwa Industrial Complex
Jungwang-Dong, Shihung-Shi, Kyunggi-Do
Republic of Korea 429-450
Tel: +82 31 434 4506
Fax: +82 31 434 4507

Spain and Portugal

ENERPAC
Avda. Los Frailes, 40 – Nave C & D
Pol. Ind. Los Frailesanxo De Arriba
(Madrid) Spain
Tel: +34 91 661 11 25
Fax: +34 91 661 47 89

The Netherlands, Belgium, Luxembourg, Sweden, Denmark, Norway, Finland and Baltic States

ENERPAC B.V.
Galvanistraat 115, 6716 AE Ede
P.O. Box 8097, 6710 AB Ede
The Netherlands
Tel: +31 318 535 911
Fax: +31 318 525 613
+31 318 535 848

Technical Inquiries Europe:
techsupport.europe@enerpac.com

United Kingdom, Ireland

Enerpac Ltd
Bentley Road South
Darlaston, West Midlands
WS10 8LQ, United Kingdom
Tel: +44 (0)121 50 50 787
Fax: +44 (0)121 50 50 799

USA, Latin America and Caribbean

ENERPAC
P.O. Box 3241
6100 N. Baker Road
Milwaukee, WI 53209 USA
Tel: +1 262 781 6600
Fax: +1 262 783 9562

User inquiries:

+1 800 433 2766

Inquiries/orders:

+1 800 558 0530

Technical Inquiries:

techservices@enerpac.com

**All Enerpac products are guaranteed against defects in workmanship and materials for as long as you own them.
For your nearest authorized Enerpac Service Center, visit us at www.enerpac.com**