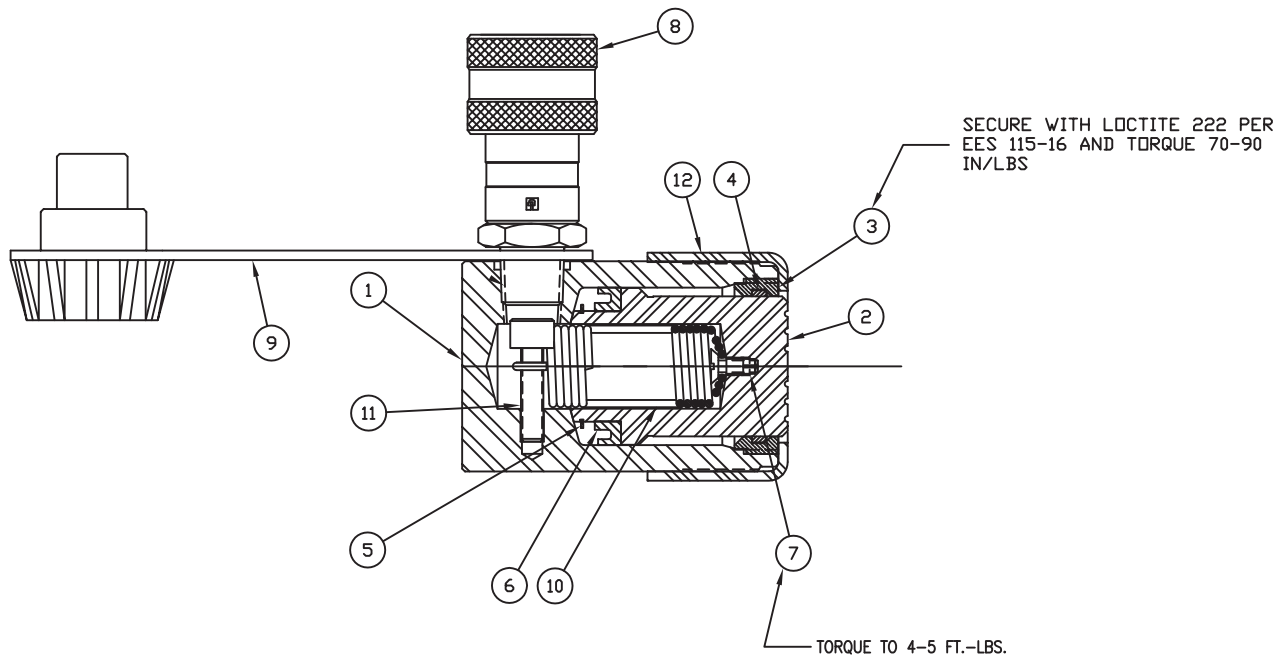


# SIMPLEX®

WWW.TKSIMPLEX.COM

## TECHNICAL REPAIR PART SHEET R101 Series Cylinder 10 - Tons

PART SHEET NUMBER	REVISION NUMBER/LETTER	DATE CODE RANGE	DOCUMENT DATE
54508	E	R101 L0851 AND ABOVE	0515



ITEM #	DESCRIPTION	R101	QTY.
1	BASE	N/A	1
2	PISTON	89078	1
3	RETAINING NUT	6110256	1
4	WIPER	*	1
5	RETAINING RING	85716	1
6	U-SEAL	*	1
7	SCREW 10-32 X 1/2	85729	1
8	FEMALE COUPLER	40858	1
9	DUST CAP	CR215	1
10	SPRING	6110178	1
11	SHCS 1/4-28 X 1.00	83117	1
12	THREAD PROTECTOR	85943	1
N/S	WARNING DECAL	87753	1
N/S	SIMPLEX LOGO	88187	1
	PACKING KIT (* = COMPONENTS)	54507	



To maintain your warranty:  
Have your products inspected and repaired by a SIMPLEX Authorized Service Center.  
Visit [www.tksimplex.com](http://www.tksimplex.com) to locate the nearest one.

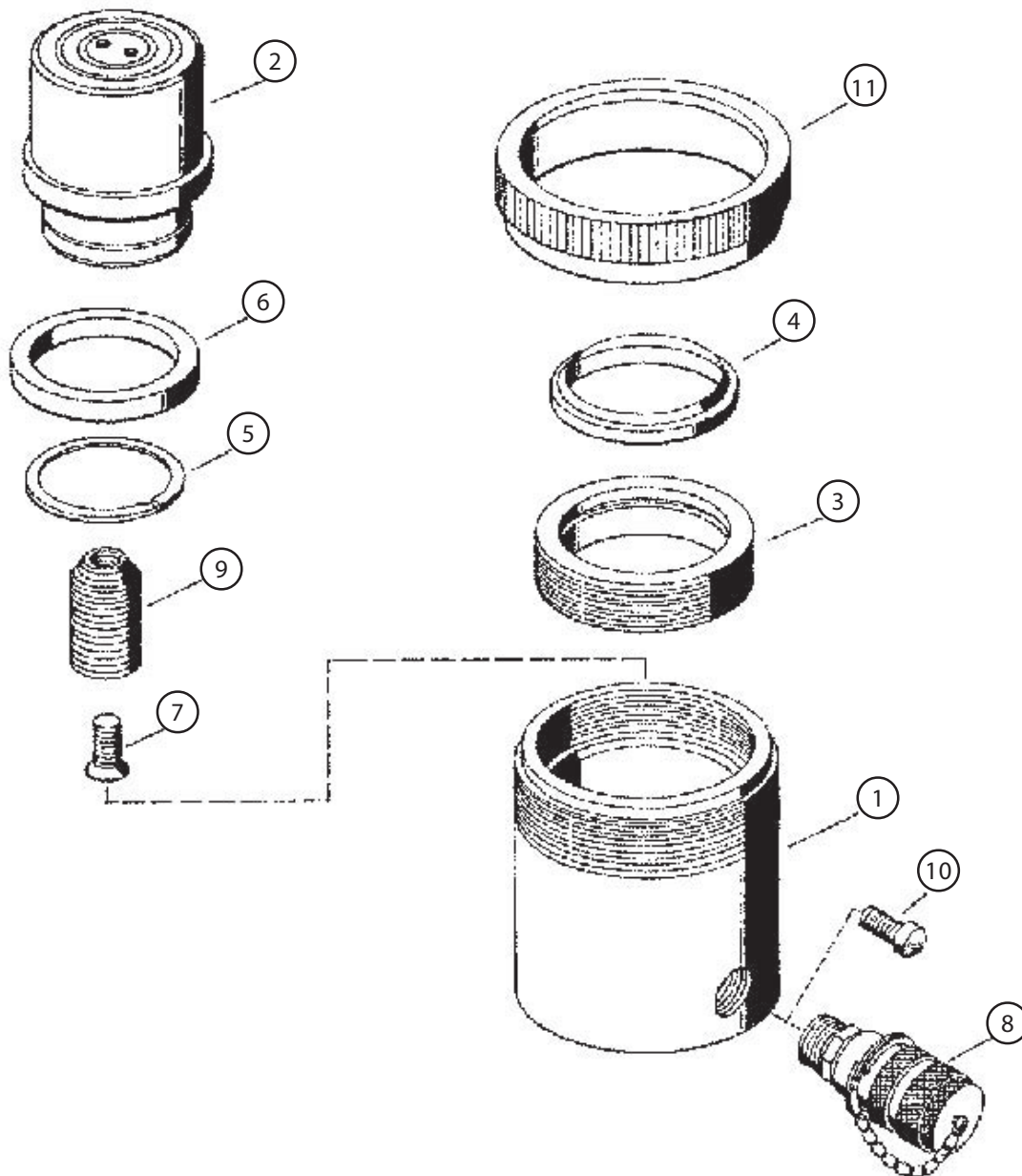


# **SIMPLEX**

WWW.TKSIMPLEX.COM

## TECHNICAL REPAIR PART SHEET R101 Series Cylinder 10 - Tons

PART SHEET NUMBER	REVISION NUMBER/LETTER	DATE CODE RANGE	DOCUMENT DATE
54508	B	R101 L0850 AND BELOW	09/08



To maintain your warranty:  
Have your products inspected and repaired by a SIMPLEX Authorized Service Center.  
Visit [www.tksimplex.com](http://www.tksimplex.com) to locate the nearest one.





WWW.TKSIMPLEX.COM

TECHNICAL REPAIR PART SHEET  
**R101 Series Cylinder**  
**10 - Tons**

ITEM #	DESCRIPTION	PART #	QTY.
01	R101 HOUSING	N/A	1.00
02	PISTON HSR101 CHROME	89078	1.00
03	RETAINING NUT HSR 10	89077	1.00
04	WIPER 1 1/2" ROD	*	1.00
05	RETAIN RING	85716	1.00
06	U-CUP UNBALANCED	*	1.00
07	SCREW 10-32X1/2	85729	1.00
08	FEMALE COUPLER 3050-3	40858	1.00
08	DUST CAP	CR215	1.00
09	SPRING	85676	1.00
10	SHCS 1/4-28 1.00	83117	1.00
11	THREAD PROTECTOR	85943	1.00
NS	WARNING DECAL	87753	1.00
NS	SIMPLEX LOGO	88187	1.00
	PACKING KIT (* = COMPONENTS)	54344	1.00



To maintain your warranty:  
Have your products inspected and repaired by a SIMPLEX Authorized Service Center.  
Visit [www.tksimplex.com](http://www.tksimplex.com) to locate the nearest one.

