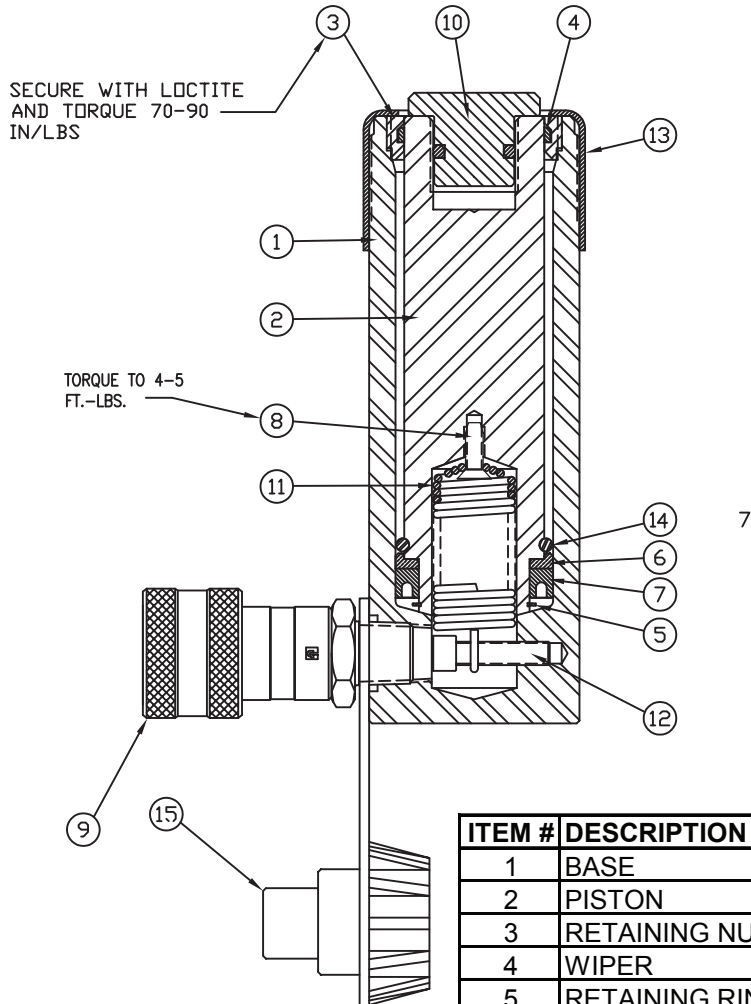


# SIMPLEX®

WWW.TKSIMPLEX.COM

## TECHNICAL REPAIR PART SHEET R102-104 Series Cylinder 10 - Tons

PART SHEET NUMBER	REVISION NUMBER/LETTER	DATE CODE RANGE		DOCUMENT DATE
54509	E	R102 R104	H0833 AND ABOVE A0905 AND ABOVE	05/15



ITEM #	DESCRIPTION	R102	QTY.	R104	QTY.
1	BASE	N/A	1	N/A	1
2	PISTON	89079	1	89080	1
3	RETAINING NUT	6110256	1	6110256	1
4	WIPER	*	1	*	1
5	RETAINING RING	85716	1	85716	1
6	BEARING RING	88973	1	88973	1
7	U-SEAL	*	1	*	1
8	SCREW	85729	1	85729	1
9	FEMALE COUPLER	40858	1	40858	1
10	LOAD CAP	6110285	1	6110285	1
11	SPRING	6110178	1	6110188	1
12	SCHS	6110177	1	6110177	1
13	THREAD PROTECTOR	6110286	1	6110286	1
14	ROUND RETAINING RING	88968	1	88968	1
15	DUST CAP	CR215	1	CR215	1
N/S	WARNING DECAL	87753	1	87753	1
N/S	SIMPLEX LOGO	88187	1	88187	1
PACKING KIT (* = COMPONENTS)		54507		54507	



To maintain your warranty:  
Have your products inspected and repaired by a SIMPLEX Authorized Service Center.  
Visit [www.tksimplex.com](http://www.tksimplex.com) to locate the nearest one.

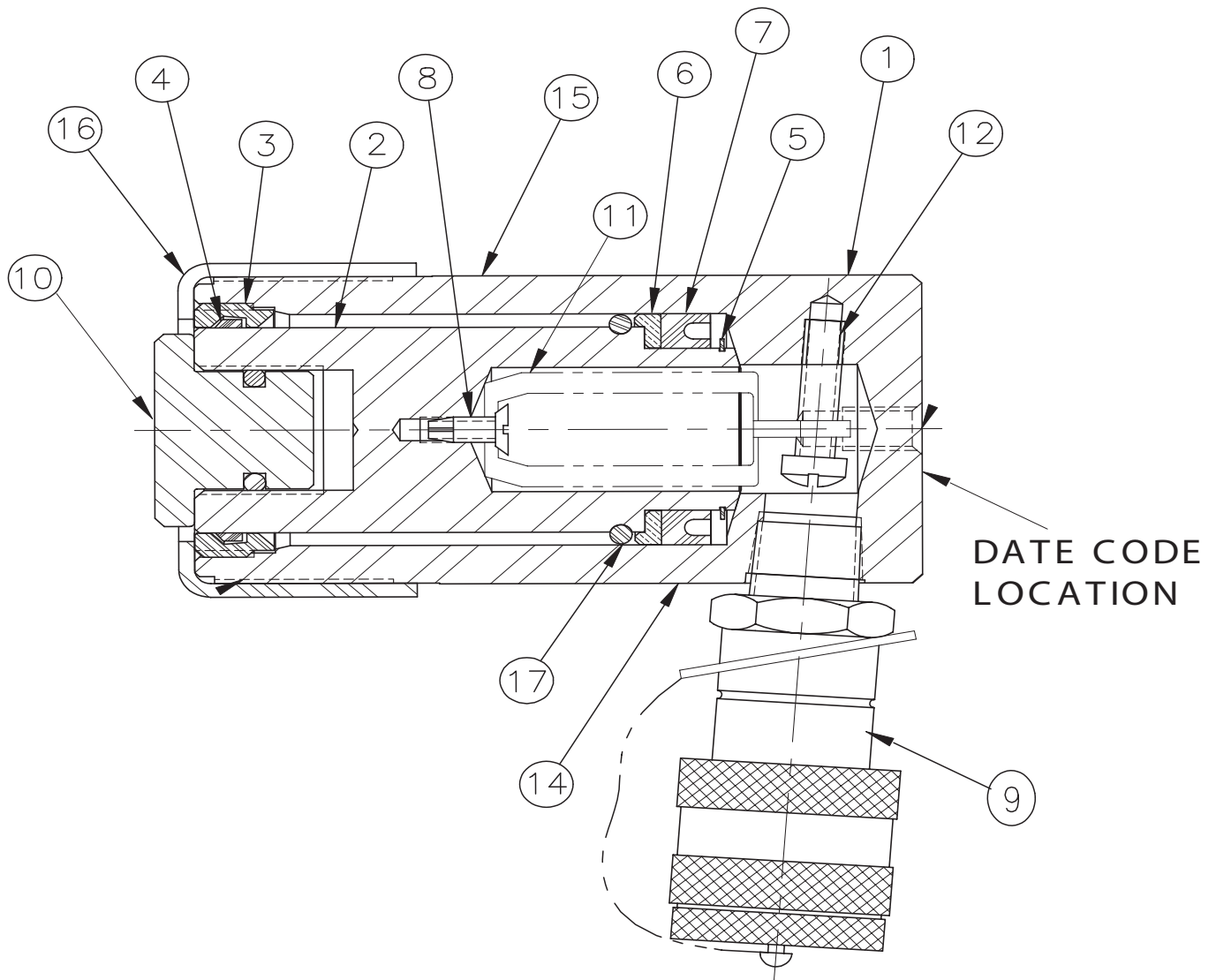


# **SIMPLEX**

WWW.TKSIMPLEX.COM

## TECHNICAL REPAIR PART SHEET R102-104 Series Cylinder 10 - Tons

PART SHEET NUMBER	REVISION NUMBER/LETTER	DATE CODE RANGE	DOCUMENT DATE
54509		R102 H0832 AND BELOW R104 A0904 AND BELOW	02/04



To maintain your warranty:  
Have your products inspected and repaired by a SIMPLEX Authorized Service Center.  
Visit [www.tksimplex.com](http://www.tksimplex.com) to locate the nearest one.





WWW.TKSIMPLEX.COM

TECHNICAL REPAIR PART SHEET  
**R102-104 Series Cylinder**  
**10 - Tons**

ITEM	DESCRIPTION	R 102	R 104	QTY
01	HOUSING	N/A	N/A	1.00
02	PISTON	89079	89080	1.00
03	RETAINING NUT	89077	89077	1.00
04	WIPER	*	*	1.00
05	RETAINING RING	85716	85716	1.00
06	BEARING RING	88973	88973	1.00
07	U-CUP	*	*	1.00
08	SCREW	85729	85729	1.00
09	FEMALE COUPLER	40858	40858	1.00
09	DUST CAP	CR215	CR215	1.00
10	LOAD CAP ASSY	18348	18348	1.00
11	SPRING	85676	86156	1.00
12	SHCS 1/4-28 1.00	83117	83117	1.00
14	WARNING DECAL	87753	87753	1.00
15	SIMPLEX LOGO	88187	88186	1.00
16	THREAD PROTECTOR	85943	85943	1.00
17	ROUND RETAINING RING	88968	88968	1.00
	PACKING KIT (* = CONTENTS)	54344	54344	1.00



To maintain your warranty:  
Have your products inspected and repaired by a SIMPLEX Authorized Service Center.  
Visit [www.tksimplex.com](http://www.tksimplex.com) to locate the nearest one.

