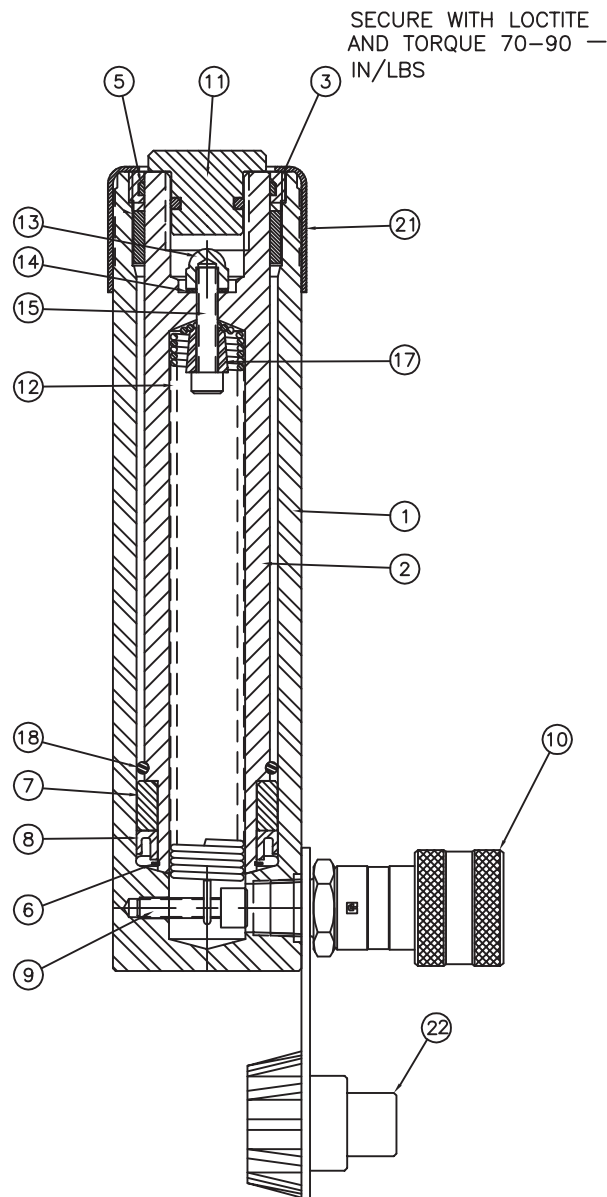




WWW.TKSIMPLEX.COM

TECHNICAL REPAIR PART SHEET  
R106-R108-R1010-R1012-R1014 Series Cylinders  
**10 Tons**

PART SHEET NUMBER	REVISION NUMBER/LETTER	DATE CODE RANGE	DOCUMENT DATE
54511	F	R106 I0838 AND ABOVE R108 G0830 AND ABOVE R1010 L0852 AND ABOVE R1012 A0903 AND ABOVE R1014 A0904 AND ABOVE	05/15



To maintain your warranty:  
Have your products inspected and repaired by a SIMPLEX Authorized Service Center.  
Visit [www.tksimplex.com](http://www.tksimplex.com) to locate the nearest one.





WWW.TKSIMPLEX.COM

TECHNICAL REPAIR PART SHEET
R106-R108-R1010-R1012-R1014 Series Cylinders
10 Tons

Table with 12 columns: ITEM #, DESCRIPTION, R106, QTY., R108, QTY., R1010, QTY., R1012, QTY., R1014, QTY. Rows include parts like BASE, PISTON, RETAINING NUT W/ SLEEVE, WIPER, RETAINING RING, BEARING RING, U-SEAL, SHCS, FEMALE COUPLER, LOAD CAP, SPRING, ACORN NUT, GASKET, SCREW SPEC, BUSHING, ROUND RETAINING RING, SIMPLEX LOGO, WARNING DECAL, THREAD PROTECTOR, DUST CAP, and PACKING KIT.



To maintain your warranty:
Have your products inspected and repaired by a SIMPLEX Authorized Service Center.
Visit www.tksimplex.com to locate the nearest one.



# SIMPLEX®

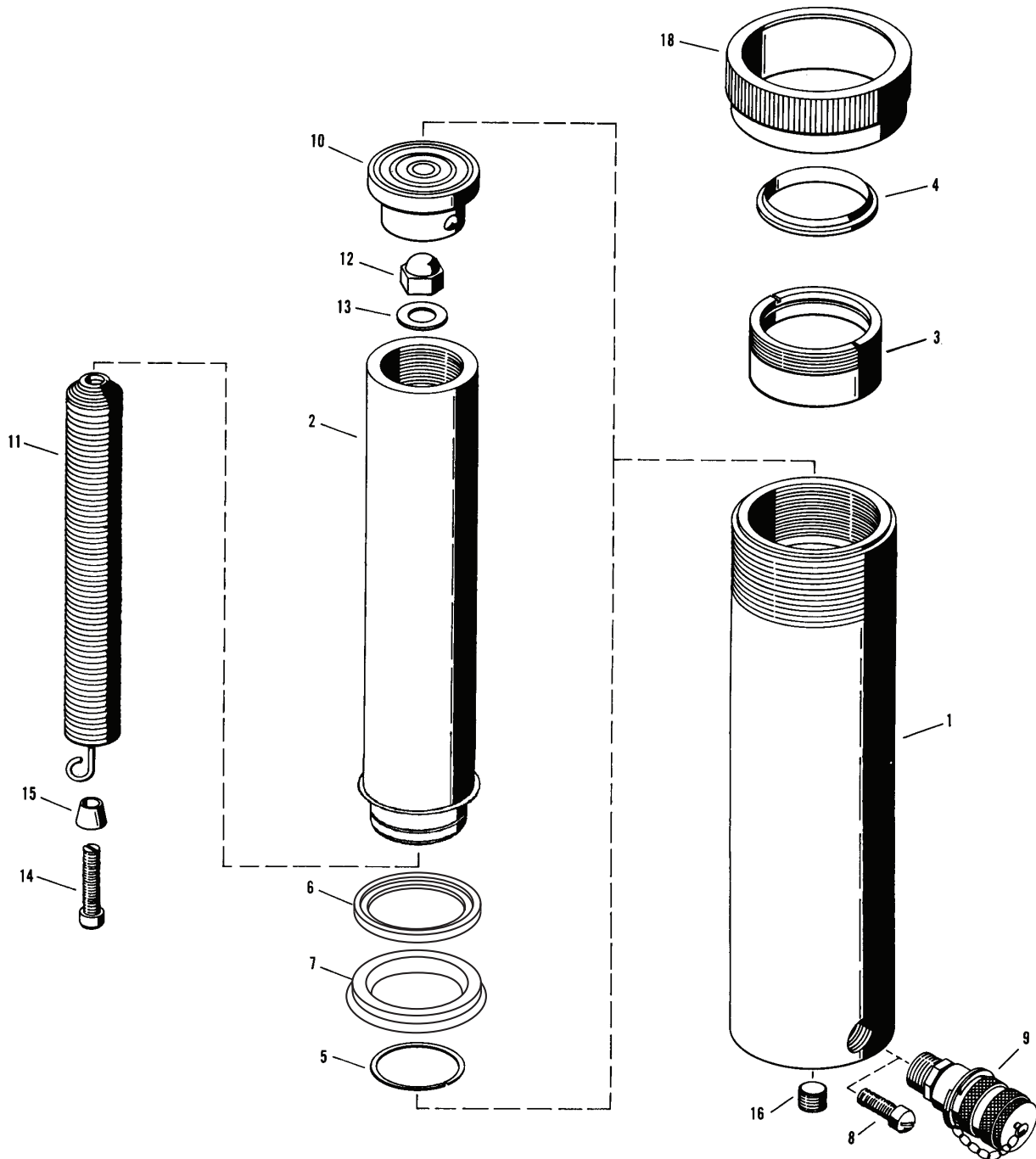
WWW.TKSIMPLEX.COM

## TECHNICAL REPAIR PART SHEET

### R106-R108-R1010-R1012-R1014 Series Cylinders

# 10 Tons

PART SHEET NUMBER	REVISION NUMBER/LETTER	DATE CODE RANGE	DOCUMENT DATE
54511	D	R106 I0837 AND BELOW R108 G0829 AND BELOW R1010 L0851 AND BELOW R1012 A0902 AND BELOW R1014 A0903 AND BELOW	03/13



To maintain your warranty:  
Have your products inspected and repaired by a SIMPLEX Authorized Service Center.  
Visit [www.tksimplex.com](http://www.tksimplex.com) to locate the nearest one.





WWW.TKSIMPLEX.COM

TECHNICAL REPAIR PART SHEET  
R106-R108-R1010-R1012-R1014 Series Cylinders  
**10 Tons**

ITEM NUMBER	DESCRIPTION	QTY.	CONTROL NUMBER				
			R106	R108	R1010	R1012	R1014
1	Housing	1	N/A	N/A	N/A	N/A	N/A
2	Piston	1	89081	89082	89083	89084	89085
3	Retaining Nut	1	88975	88975	88975	88975	88975
4	Wiper Ring	1	*	*	*	*	*
5	Retaining Ring	1	85716	85716	85716	85716	85716
6	Bearing Ring	1	88974	88974	88974	88974	88974
7	U-Seal	1	*	*	*	*	*
8	Screw	1	85728	85728	85728	85728	85728
9	Ram Half Coupling	1	18211	18211	18211	18211	18211
10	Load Cap Assembly	1	18348	18348	18348	18348	18348
11	Spring	1	86157	86158	86159	86160	86161
12	Cap Nut	1	85712	85712	85712	85712	85712
13	Gasket	1	85724	85724	85724	85724	85724
14	Screw	1	85728	85728	85728	85728	85728
15	Bushing	1	85894	85894	85894	85894	85894
16	Plug	2	N/A	N/A	N/A	N/A	N/A
17	Piston Retaing Ring	1	88968	88968	88968	88968	88968
18	Thread Protector	1	85943	85943	85943	85943	85943
	Packing Kit		54345	54345	54345	54345	54345

\*Items Included In Packing Kit.

### ENGINEERING DATA

- R106 . . . Capacity 10 Tons @ 8,945 PSI On 2.236 Sq. In. Ram Area. Stroke 6 1/8"
- R108 . . . Capacity 10 Tons @ 8,945 PSI On 2.236 Sq. In. Ram Area. Stroke 8"
- R1010 . . . Capacity 10 Tons @ 8,945 PSI On 2.236 Sq. In. Ram Area. Stroke 10 1/8"
- R1012 . . . Capacity 10 Tons @ 8,945 PSI On 2.236 Sq. In. Ram Area. Stroke 12"
- R1014 . . . Capacity 10 Tons @ 8,945 PSI On 2.236 Sq. In. Ram Area. Stroke 14"



To maintain your warranty:  
Have your products inspected and repaired by a SIMPLEX Authorized Service Center.  
Visit [www.tksimplex.com](http://www.tksimplex.com) to locate the nearest one.

