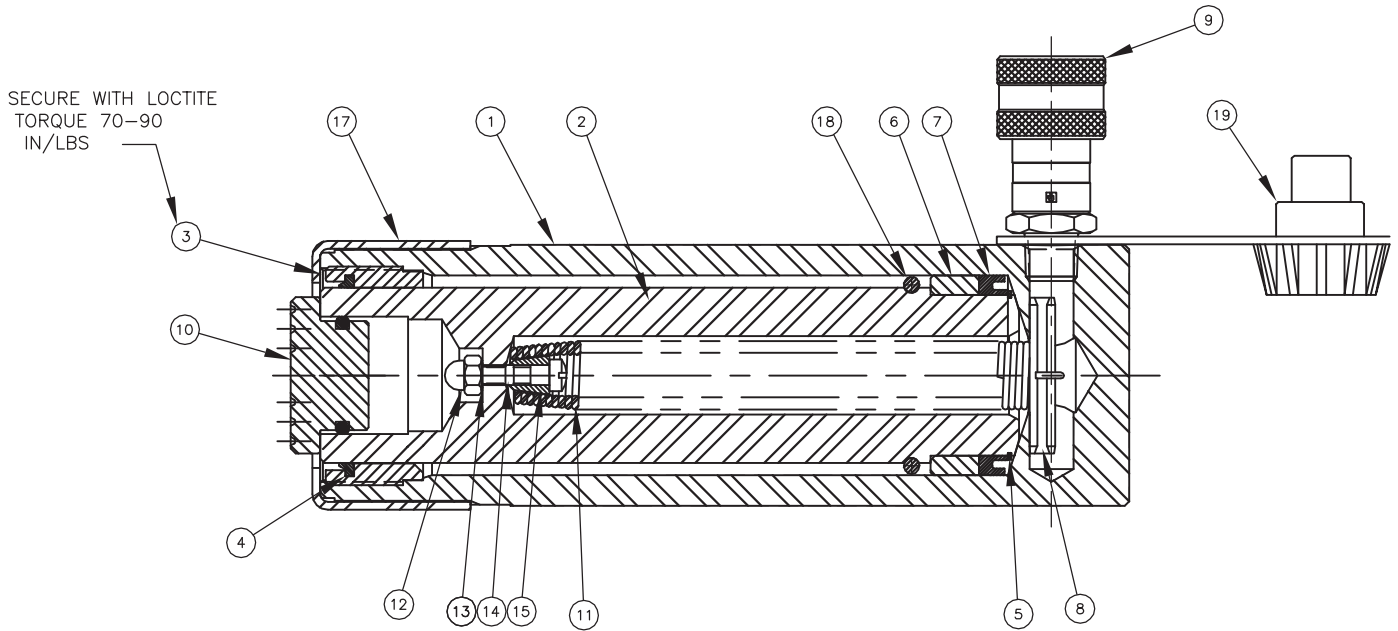




WWW.TKSIMPLEX.COM

TECHNICAL REPAIR PART SHEET  
R256-R258-R2512-R2514 Series Cylinders  
25 Tons

PART SHEET NUMBER	REVISION NUMBER/LETTER	DATE CODE RANGE	DOCUMENT DATE
54619	F	R256 L0854 AND ABOVE R258 A0903 AND ABOVE R2510 C0910 AND ABOVE R2512 A0903 AND ABOVE R2514 A0906 AND ABOVE	0515



DATE CODES LISTED IN THE ABOVE TABLE.

ITEM #	DESCRIPTION	R256	QTY.	R258	QTY.	R2510	QTY.	R2512	QTY.	R2514	QTY.
1	BASE	N/A	1	N/A	1	N/A	1	N/A	1	N/A	1
2	PISTON	89216	1	89217	1	89218	1	89219	1	89220	1
3	RETAINING NUT	6110176	1	6110176	1	6110176	1	6110176	1	6110176	1
4	WIPER	*	1	*	1	*	1	*	1	*	1
5	RETAINING RING	85718	1	85718	1	85718	1	85718	1	85718	1
6	BEARING RING	88980	1	88980	1	88980	1	88980	1	88980	1
7	U-SEAL	*	1	*	1	*	1	*	1	*	1
8	ROLL PIN	6110141	1	6110141	1	6110141	1	6110141	1	6110141	1
9	FEMALE COUPLER	40858	1	40858	1	40858	1	40858	1	40858	1
10	LOAD CAP	6110238	1	6110238	1	6110238	1	6110238	1	6110238	1
11	SPRING	6110249	1	6110151	1	6110160	1	6110169	1	86161	1
12	ACORN NUT	6110143	1	6110143	1	6110143	1	6110143	1	6110143	1
13	GASKET	*	1	*	1	*	1	*	1	*	1
14	SCREW	6110253	1	6110253	1	6110253	1	6110253	1	6110253	1
15	BUSHING	6110252	1	6110252	1	6110252	1	6110252	1	6110252	1
17	THREAD PROTECTOR	6110179	1	6110179	1	6110179	1	6110179	1	6110179	1
18	ROUND RETAINING RING	88970	1	88970	1	88970	1	88970	1	88970	1
19	DUST CAP	CR215	1	CR215	1	CR215	1	CR215	1	CR215	1
N/S	WARNING DECAL	80827	1	80827	1	80827	1	80827	1	80827	1
N/S	SIMPLEX LOGO	88165	1	88165	1	88165	1	88165	1	88165	1
	PACKING KIT * = COMPONENTS	54337		54337		54337		54337		54337	



To maintain your warranty:  
Have your products inspected and repaired by a SIMPLEX Authorized Service Center.  
Visit [www.tksimplex.com](http://www.tksimplex.com) to locate the nearest one.

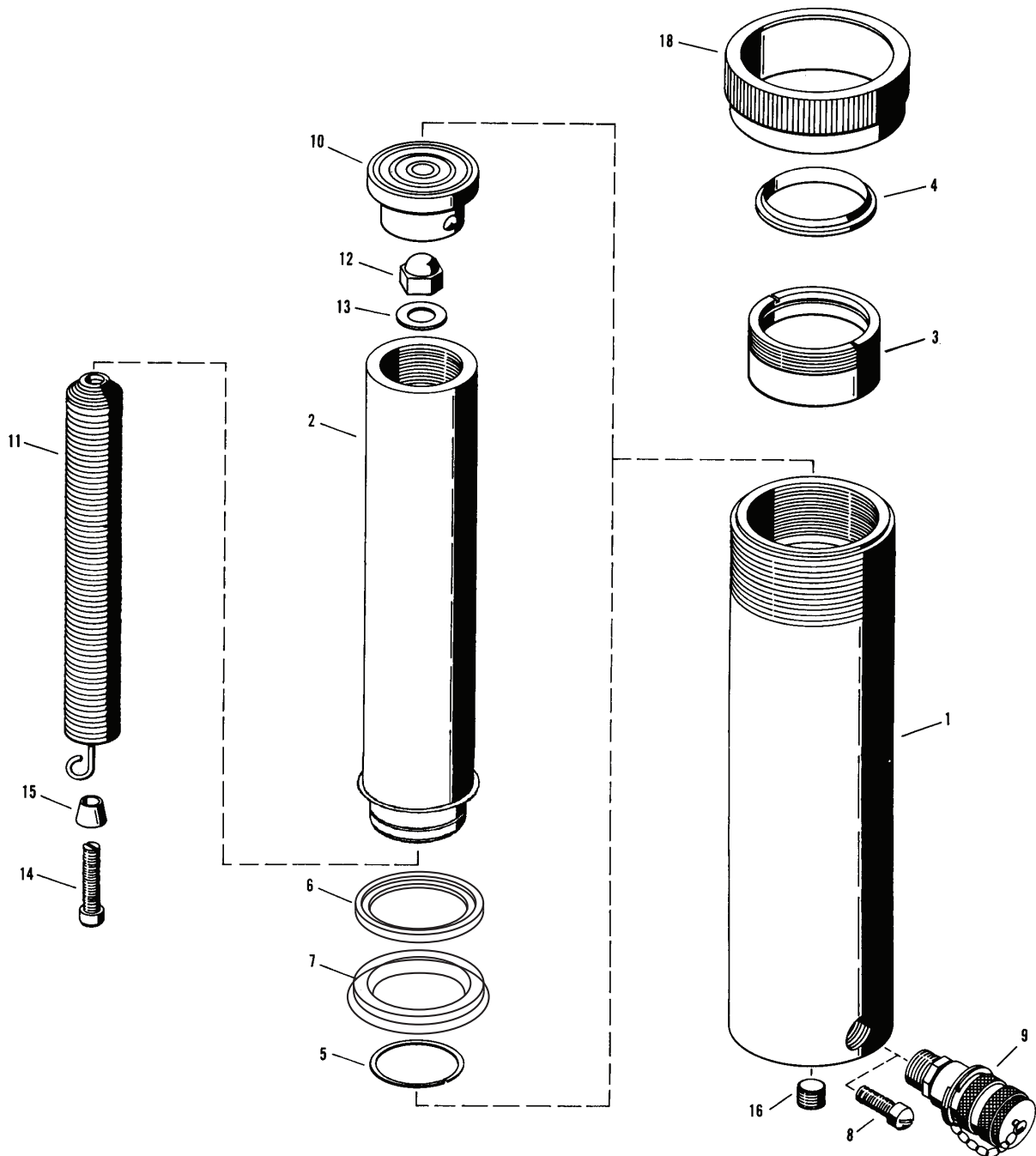


# SIMPLEX®

WWW.TKSIMPLEX.COM

## TECHNICAL REPAIR PART SHEET R256-R258-R2512-R2514 Series Cylinders 25 Tons

PART SHEET NUMBER	REVISION NUMBER/LETTER	DATE CODE RANGE	DOCUMENT DATE
54619	E	R256 L0853 AND BELOW R258 A0902 AND BELOW R2510 C0909 AND BELOW R2512 A0902 AND BELOW R2514 A0905 AND BELOW	05/13



To maintain your warranty:  
Have your products inspected and repaired by a SIMPLEX Authorized Service Center.  
Visit [www.tksimplex.com](http://www.tksimplex.com) to locate the nearest one.





WWW.TKSIMPLEX.COM

TECHNICAL REPAIR PART SHEET  
R256-R258-R2512-R2514 Series Cylinders  
25 Tons

ITEM NUMBER	DESCRIPTION	QTY.	CONTROL NUMBER				
			R256	R258	R2510	R2512	R2514
1	Housing	1	N/A	N/A	N/A	N/A	N/A
2	Piston	1	89216	89217	89218	89219	89220
3	Retaining Nut	1	89223	89223	89223	89223	89223
4	Wiper Ring	1	*	*	*	*	*
5	Retaining Ring	1	85718	85718	85718	85718	85718
6	Bearing Ring	1	88980	88980	88980	88980	88980
7	U-Seal	1	*	*	*	*	*
8	Screw	1	85728	85728	85728	85728	85728
9	Ram Half Coupling	1	18211	18211	18211	18211	18211
10	Load Cap Assembly	1	85525	85525	85525	85525	85525
11	Spring	1	86287	86158	86159	86160	86161
12	Cap Nut	1	85712	85712	85712	85712	85712
13	Gasket	1	85724	85724	85724	85724	85724
14	Screw	1	85728	85728	85728	85728	85728
15	Bushing	1	85894	85894	85894	85894	85894
16	Plug	2	93639	93639	93639	93639	93639
17	Thread Protector	1	85664	85664	85664	85664	85664
18	Piston Retaing Ring	1	88970	88970	88970	88970	88970
	Packing Kit		54337	54337	54337	54337	54337

\* Items included in packing kit

### ENGINEERING DATA

- R256 . . . Capacity 25 Tons @ 9,700 PSI On 5.15 Sq. In. Ram Area. Stroke 6 1/4"
- R258 . . . Capacity 25 Tons @ 9,700 PSI On 5.15 Sq. In. Ram Area. Stroke 8 1/4"
- R2510 . . . Capacity 25 Tons @ 9,700 PSI On 5.15 Sq. In. Ram Area. Stroke 10 1/4"
- R2512 . . . Capacity 25 Tons @ 9,700 PSI On 5.15 Sq. In. Ram Area. Stroke 12 1/4"
- R2514 . . . Capacity 25 Tons @ 9,700 PSI On 5.15 Sq. In. Ram Area. Stroke 14 1/4"



To maintain your warranty:  
Have your products inspected and repaired by a SIMPLEX Authorized Service Center.  
Visit [www.tksimplex.com](http://www.tksimplex.com) to locate the nearest one.

