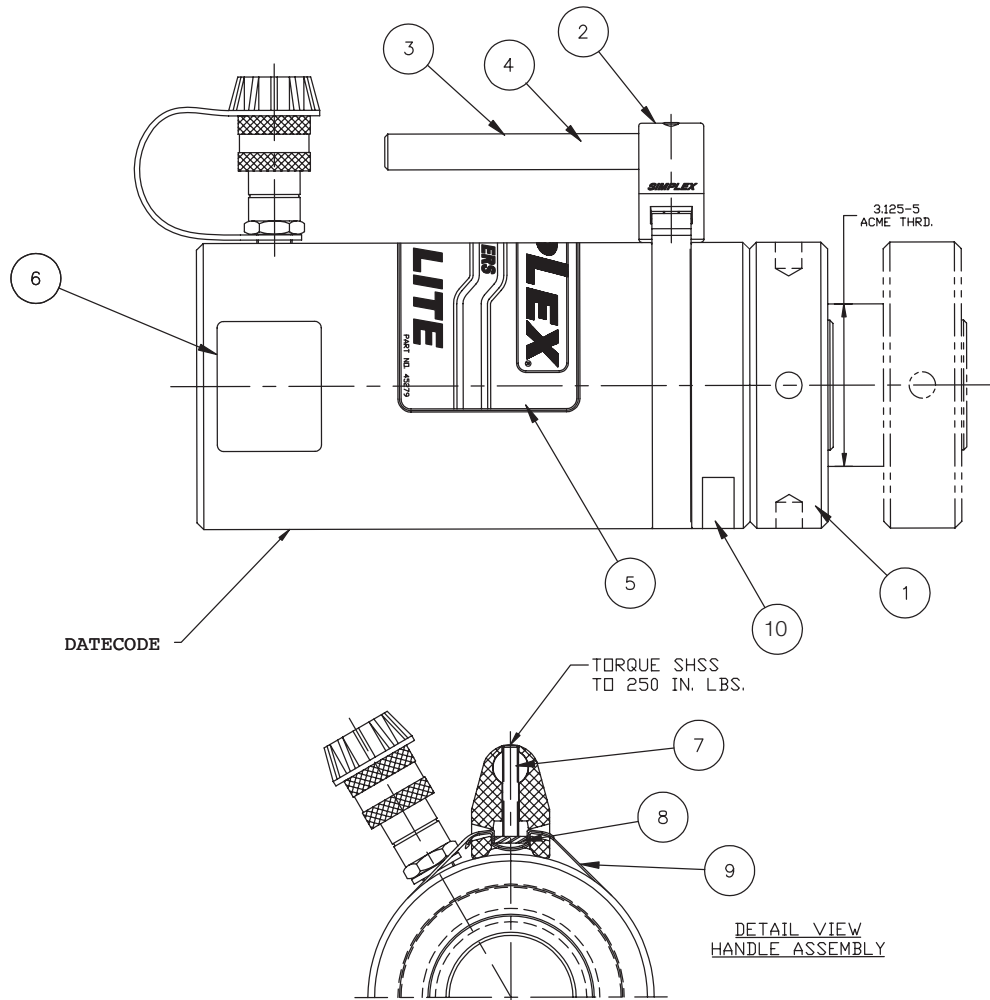




www.tksimplex.com

Technical Repair Parts Sheet Model # RAL502,504,506,5010 50 TON SERIES CYLINDERS

Part Sheet Number	Revision Number	Date Code Range	Document Date
54264	C	N/A	01/17



ITEM #	DESCRIPTION	RAL502	QTY.	RAL504	QTY.	RAL506	QTY.	RAL5010	QTY.
		Part #'s		Part #'s		Part #'s		Part #'s	
1	Cylinder	N/A	1	N/A	1	N/A	1	N/A	1
2	Cylinder Handle Base	45193	1	45193	1	45193	1	45193	1
3	Aluminum Handle	45281	1	45281	1	45281	1	45281	1
4	Handle Grip	45303	1	45303	1	45303	1	45303	1
5	Aluminum Cylinder Decal	45280	1	45280	1	45279	1	45285	1
6	Warning Decal	80827	1	80827	1	80827	1	80827	1
7	Set Screw	45275	1	45275	1	45275	1	45275	1
8	Plate Cylinder Handle	45274	1	45274	1	45274	1	45274	1
9	Stainless Steel Strap	45273	1	45273	1	35273	1	45273	1
10	Warning Decal	CU765026	1	CU765026	1	CU765026	1	CU765026	1



To Maintain Your Warranty
Have your products inspected and repaired by Authorized Simplex Service Center
Visit www.tksimplex.com to located the nearest one.

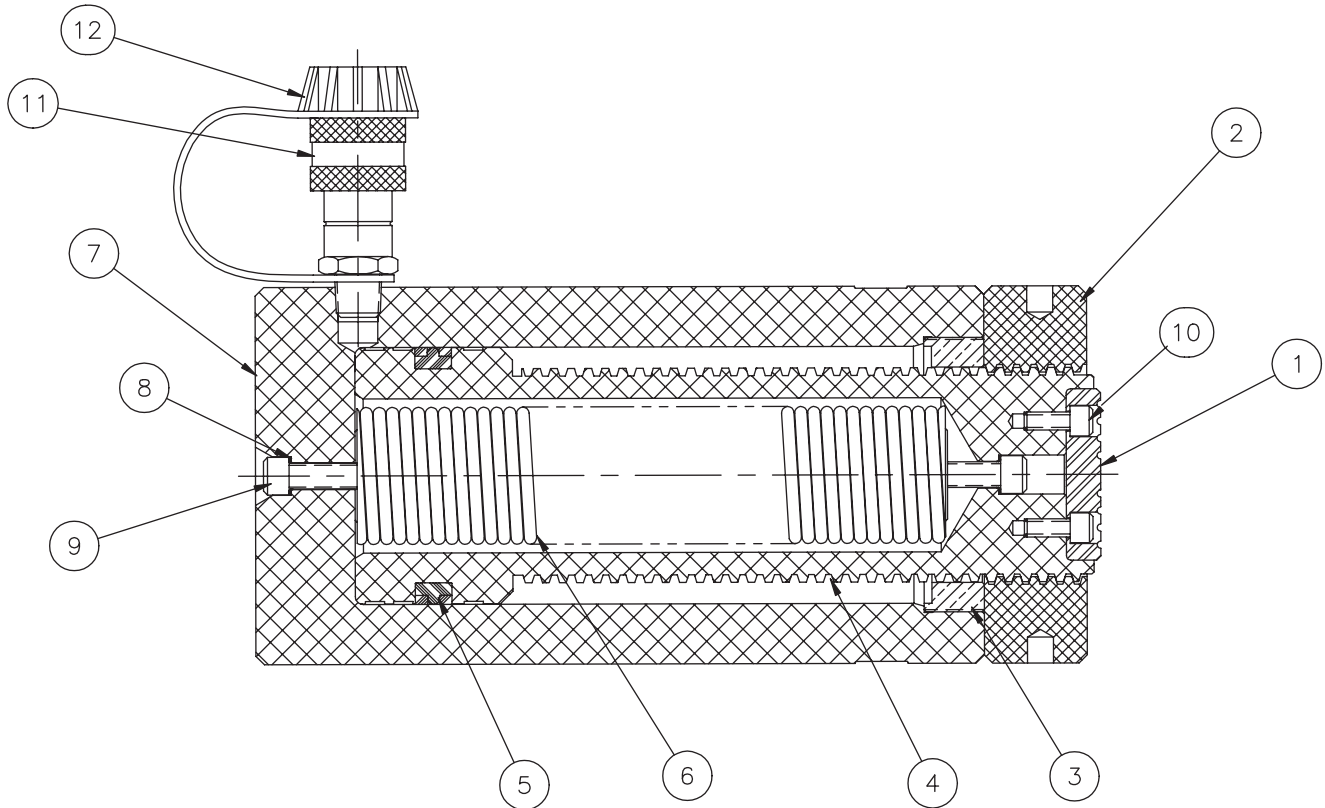




www.tksimplex.com

Technical Repair Parts Sheet Model # RAL502,504,506,5010 50 TON SERIES CYLINDERS

RAL 50 (B) Series - Cut-Away View



ITEM	DESCRIPTION	RAL502	RAL504	RAL506	RAL5010	QTY
1	LOAD CAP	6050199	6050199	6050199	6050199	1
2	LOCK NUT	6050200	6050200	6050200	6050200	1
3	RETAINING NUT	6050201	6050201	6050201	6050201	1
4	PISTON	6050203	6050209	6050212	6050215	1
5	PISTON SEAL W/BACKUP	*	*	*	*	1
6	SPRING ASSEMBLY	6050204	6050210	6050213	6050216	1
7	HOUSING	N/A	N/A	N/A	N/A	N/A
8	COPPER GASKET	*	*	*	*	2
9	CAP SCREW	6050207	6050207	6050207	6050207	2
10	LOAD CAP SCREW	6050208	6050208	6050208	6050208	2
11	COUPLER	40858	40858	40858	40858	1
12	DUST CAP	CR215	CR215	CR215	CR215	1
	PACKING KIT (* =CONTENTS)	54297	54297	54297	54297	1

To Maintain Your Warranty

Have your products inspected and repaired by Authorized Simplex Service Center
Visit www.tksimplex.com to located the nearest one.