

ALUMINUM CYLINDERS

RAS Series – Spring Return



RAS306B Shown

Capacity Range▶ 30 - 150 tons
 Stroke Range▶ 2 - 10 in.
 Maximum Pressure▶ 10,000 psi

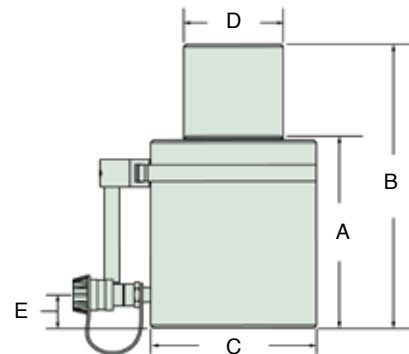
- ▶ Half the weight of steel cylinders.
- ▶ Heavy duty spring for fast & full retraction.
- ▶ Large bearing surfaces for side load protection.
- ▶ Technical coating reduces wear & corrosion.
- ▶ Stop rings for piston blow out protection.
- ▶ Rod wiper protects inner cylinder from dirt.

Cylinders



POWER PUMPS - pages 43 - 65
 Simplex offers a wide variety of lightweight power pumps to fit any application.

The RAS302B spring return cylinder along with a P32 aluminum hand pump is easy to carry and position in tight places. ▼



Model	Capacity (tons)	Stroke (in)	Oil Capacity Required (cu.in.)	Effect Area (sq. in)	Pressure @ Capacity (psi)	A	B	C	D	E	Wgt. (lbs)
						Minimum Height (in)	Extended Height (in)	Body O.D. (in)	Piston O.D. (in)	Base to Port C/L (in)	
RAS302B	30	2	13	6.5	9231	6.5	8.5	4.5	2.5	1.5	14
RAS306B	30	6	39	6.5	9231	10.5	16.5	4.5	2.5	1.5	18
RAS502B	50	2	22.1	11	9091	6.5	8.5	5.5	3.13	1.5	13
RAS504B	50	4	44.2	11	9091	8.5	12.5	5.5	3.13	1.5	17
RAS506B	50	6	66.2	11	9091	10.5	16.5	5.5	3.13	1.5	28
RAS5010B	50	10	110.4	11	9091	14.5	24.5	5.5	3.13	1.5	36
RAS1002B	100	2	41.2	20.7	9662	6.5	8.5	8	4.25	1.5	40
RAS1004B	100	4	82.4	20.7	9662	8.5	12.5	8	4.25	1.5	45
RAS1006B	100	6	123.7	20.7	9662	10.5	16.5	8	4.25	1.5	50
RAS10010B	100	10	206	20.7	9662	14.5	24.5	8	4.25	1.5	68
RAS1502B	150	2	61.4	30.7	9772	6.5	8.5	10	4.87	1.5	58
RAS1506B	150	6	184.1	30.7	9772	10.5	16.5	10	4.87	1.5	86
RAS15010B	150	10	306.8	30.7	9772	14.5	24.5	10	4.87	1.5	110