



Repair Parts Sheet

RCD1003A, RCD1006A & RCD10010A  
D.A CENTER HOLE 100 TON

54639 Rev. B 01/2021

Product Date Code Beginning With "A"

To Protect Your Warranty, Use Only SIMPLEX Hydraulic Oil.

Simplex recommends that all kit components be installed to ensure optimum performance of the repaired product.

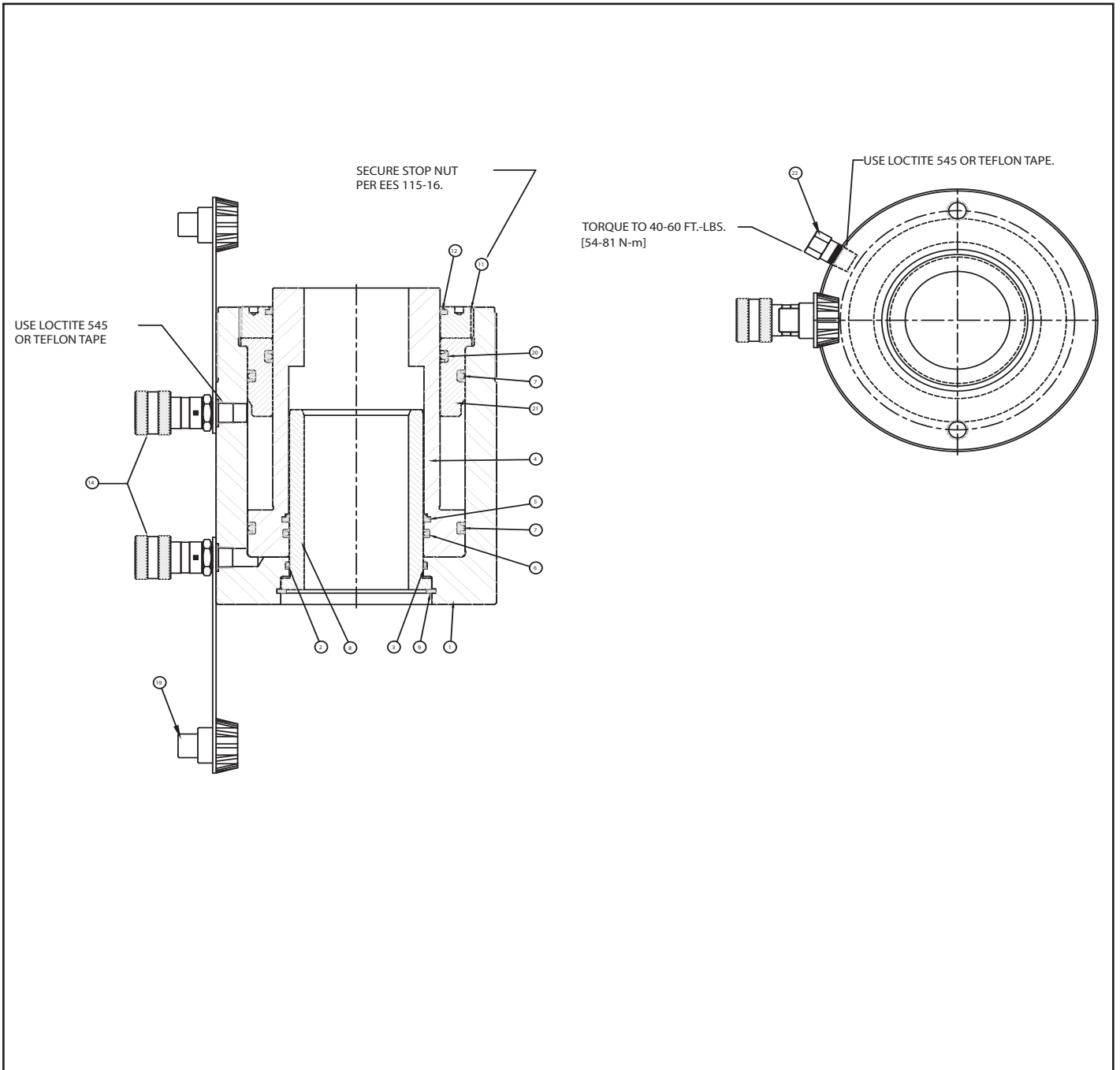


Figure 1

Repair Parts List for Figure 1					
Item No.	Description	Qty.	RCD1003A	RCD1006A	RCD10010A
1	Cylinder base	1	N/A	N/A	N/A
2	O-Ring	1	●	●	●
3	Backup ring	1	●	●	●
4	Piston	1	46606	46607	46608
5	Wiper ring	1	●	●	●
6	G.T.Ring	1	●	●	●
7	G.T.Ring	1	●	●	●
8	Tube Weldment	1	DA4247900	DA4797900	DA4313900
9	Retaining ring	1	DA4270249	DA4270249	DA4270249,
10	Stop ring	1	DA4248044	DA4248044	DA4248044
11	Wiper ring	1	CF89044	CF89044	CF89044
12	Female coupler	2	DD6932900	DD6932900	DD6932900
13	Dust cap	2	CR215	CR215	CR215
14	G.T. ring	1	●	●	●
15	Piston sleeve	1	CR215	CR215	DA4248044
16	Relief valve	1	CL403271	CL403271	DA4248044
17	Simplex logo (not shown)	1	●	●	●
18	Warning decal (not shown)	1	●	●	●

Notes:

- Indicated item included in and available only as a part of the Repair Kit 54646



N86 W12500 Westbrook Crossing  
Menomonee Falls, WI 53051  
Phone - USA Only: 1 (800) 323-9114  
Phone - Inside/Outside USA: 1 (262) 293-1575  
Fax: 1 (262) 597-1127  
www.tksimplex.com