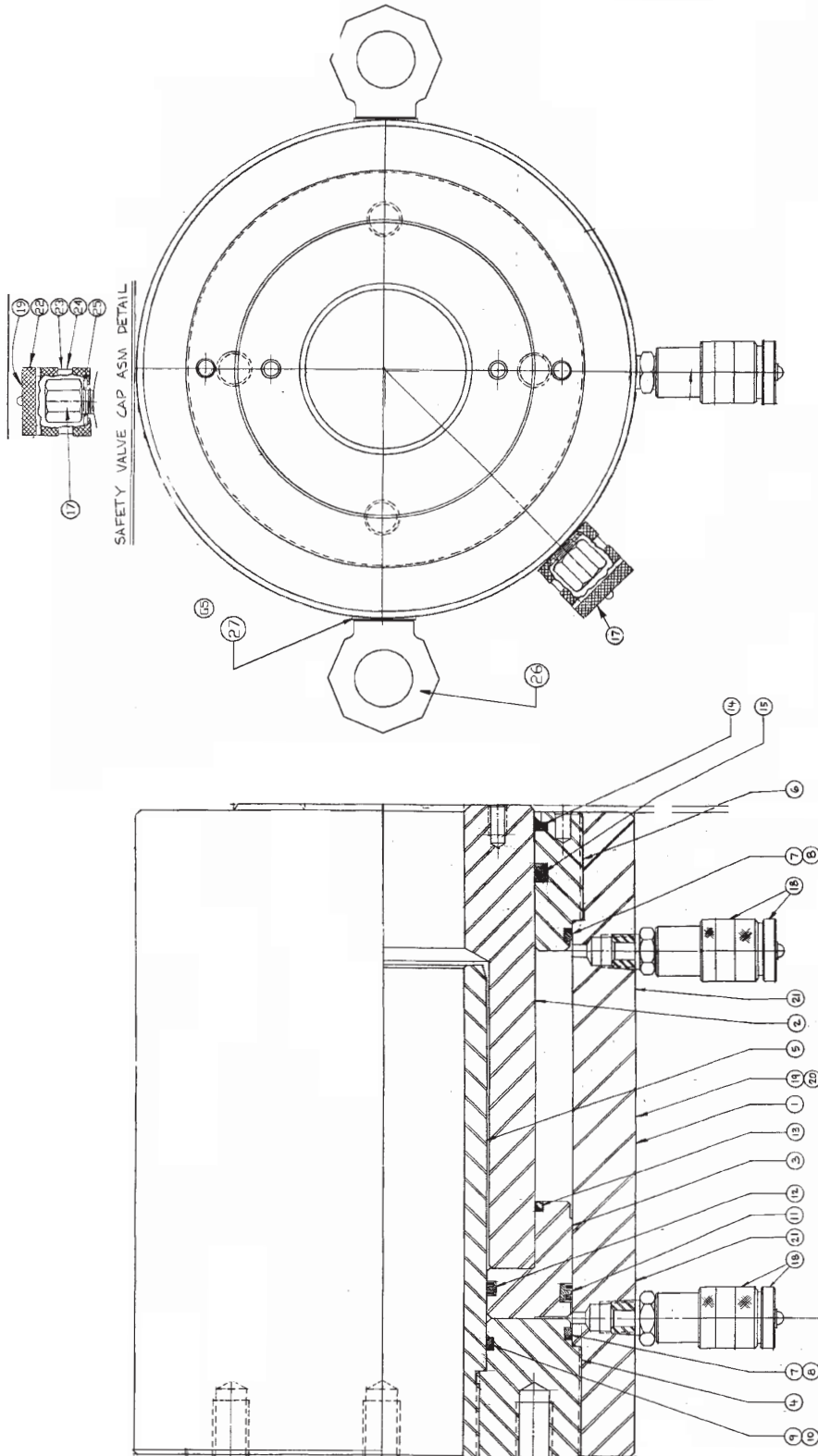




# RCD1505 CYLINDER REPAIR PART SHEET

PART SHEET # TD179  
REV. A  
08/16



# PARTS LIST FOR RCD1505 CYLINDER

ITEM	PART #	DESCRIPTION	QTY
01	87731	RCD1505 HOUSING	1.00
02	87732	RCD1505 PIST PLUNGER	1.00
03	87734	RC150 PIST FOLLWER	1.00
04	87737	RC150 BOTTOM	1.00
05	87738	RC1505C CTR SLVE	1.00
06	87720	RET NUT	1.00
07	B1129503	O-RING 7 1/4 X 7 1/2	2.00
08	5608263N	BU-WASHER 8-263 NYLO	2.00
09	B1108503	O-RING 4" X 4 1/4	1.00
10	5608242	BACKUP 4.000 X 4.250	1.00
11	87739	T-SEAL PISTON 7 1/2"	1.00
12	40762	T-SEAL 60 T CEN HOLE	1.00
13	5602258	O-RING 6" X 6 1/4	1.00
14	5601303	WIPER RNG 959-53	1.00
15	B1437514	T-SEAL	1.00
17	84027	RELIEF VALVE ASSEMBLY 10,000 PSI	1.00
18	CR215	DUST CAP	2.00
18	40858	FEMALE COUPLR 3050-3	2.00
19	88826	DECAL-EXT. REL. VLV. DUST CAP	1.00
21	80827	WARNING DECAL	2.00
22	88822	DUST PLUG	1.00
23	88823	SLEEVE	1.00
24	88825	DECAL-EXT. REL. VLV. SLEEVE	1.00
25	88824	WASHER	1.00
26	43308	SWIVEL EYE BOLT 1/2	2.00
27	43307	WASHER RLR150 EYEBLT	2.00



N86 W12500 Westbrook Crossing  
 Menomonee Falls, WI 53051  
 Phone - USA Only: 1 (800) 323-9114  
 Phone - Inside/Outside USA: 1 (262) 293-1575  
 Fax: 1 (262) 597-1127  
[www.tksimplex.com](http://www.tksimplex.com)

**SIMPLEX** products are warranted to be free of defects in materials and workmanship under normal use for as long as the original purchaser owns them subject to the guidelines and limitations listed. This warranty does not cover: normal wear & tear, cosmetic items, abuse, overloading, alterations, improper fluid, or use in a manner for which they are not intended. If the customer believes a product is defective, the product must be delivered, or shipped freight prepaid, to the nearest SIMPLEX Authorized Service Center for evaluation and repair.