



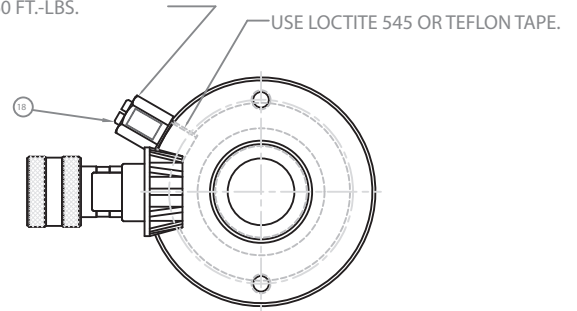
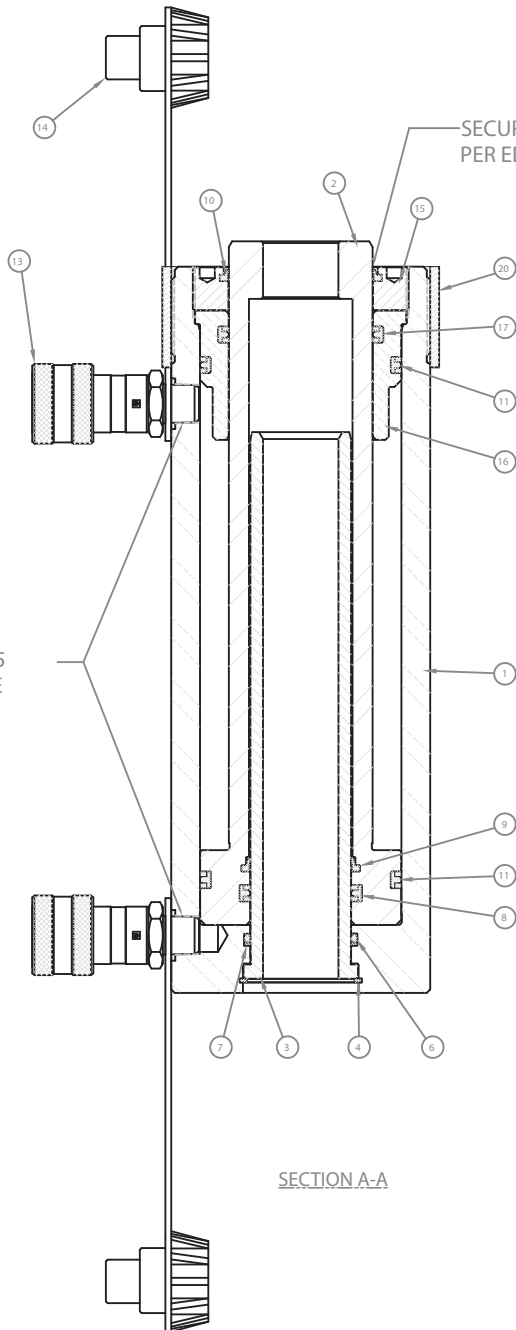
www.tksimplex.com

RCD307A D.A CENTER HOLE REPAIR PARTS SHEET

Part Sheet # 54637
Revision - A
Date: 11_12

TORQUE TO 40-60 FT.-LBS.
[54-81 N-m]

USE LOCTITE 545 OR TEFLON TAPE.



USE LOCTITE 545
OR TEFLON TAPE

BALLOON NUMBER	DESCRIPTION MODEL NUMBER	SIMPLEX PART NUMBER
2	PISTON	46601
3	TUBE WELDING	6110353
4	RETAINING RING	6110341
6	O RING	*
7	BACKUP RING	6110343
8	G.T. RING	*
9	WIPER RING	*
10	WIPER RING	*
11	G.T. RING	*
13	FEMALE COUPLER	40858
14	DUST CAP	CR215
15	STOP NUT	6110348
16	PISTON SLEEVE	6110349
17	G.T. RING	*
18	REL VALVE	6110309
20	THREAD PROTECTOR	6110351
21	SIMPLEX LOGO	88186
22	WARNING DECAL	*
PACKING KIT (* = COMPONENTS)		54644

WARRANTY STATEMENT

Simplex products are warranted to be free of defects in materials and workmanship under normal use for as long as they are owned by the original purchaser, subject to the exclusions and limitations listed. This warranty does not cover ordinary normal wear & tear, abuse, overloading, alterations, (including repairs or attempted repairs by parties other than SIMPLEX or its Authorized Service Centers), improper fluid, or use in a manner for which they are not intended or use which is contrary to instructions for the products. If the customer believes a product is defective, the product must be delivered, or shipped freight prepaid, to the nearest SIMPLEX Authorized Service Center.