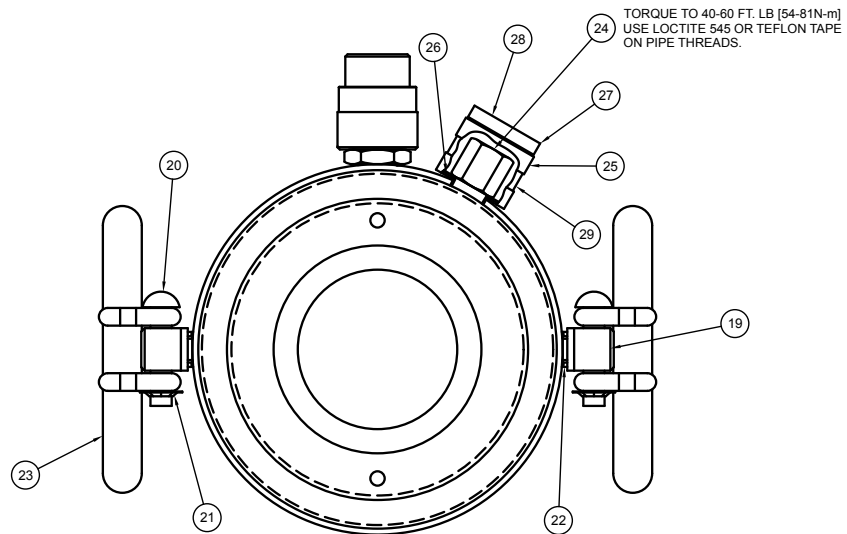
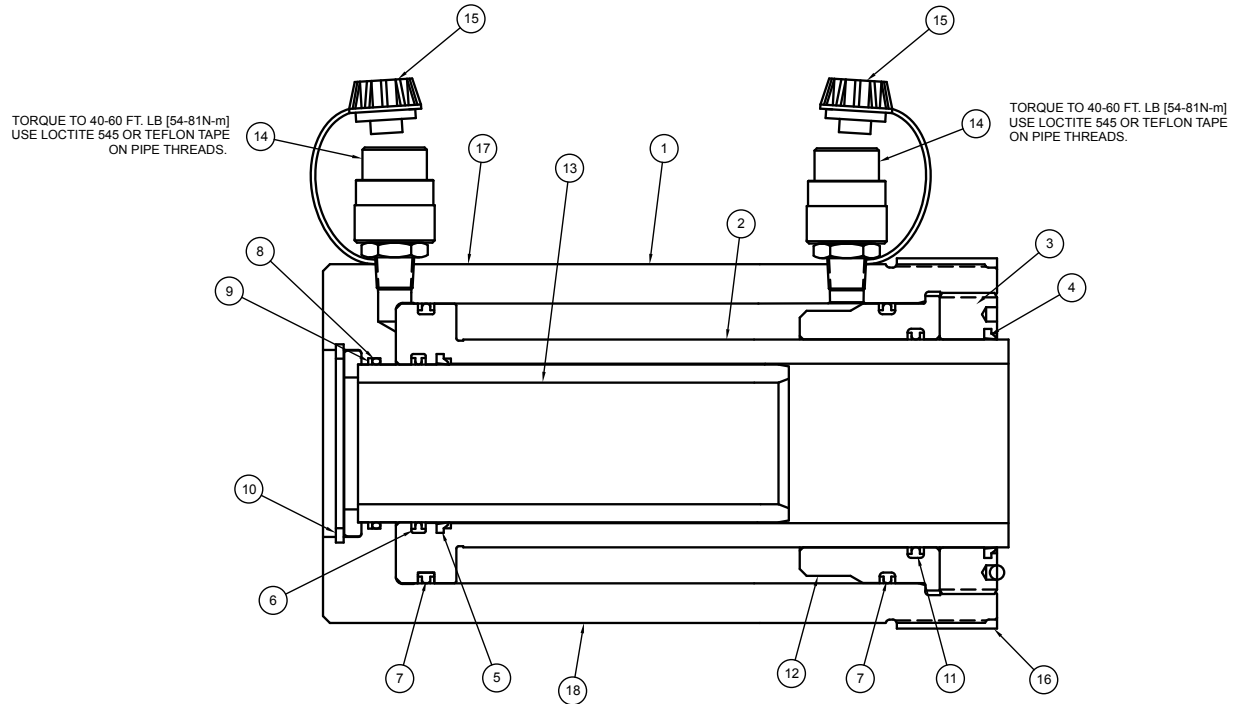




www.tksimplex.com

Technical Repair Parts Sheet Model # RCD6010A Double Acting Center Hole 60 Ton

| Part Sheet Number | Revision Number | Date Code Range | Document Date |
|-------------------|-----------------|-----------------|---------------|
| TD148 | A | XXXX | 0314 |



To Maintain Your Warranty
Have your products inspected and repaired by Authorized Simplex Service Center
Visit www.tksimplex.com to locate the nearest one.





www.tksimplex.com

Technical Repair Parts Sheet
Model # RCD6010A
Double Acting Center Hole 60 Ton

| BALLOON NUMBER | DESCRIPTION | PART NUMBER | QUANTITY |
|----------------------------------|-------------------------------|-------------|----------|
| 1 | HOUSING | N/A | 1 |
| 2 | PISTON 60 TON C/H D/A | 46605 | 1 |
| 3 | STOP RING | 6110304 | 1 |
| 4 | WIPER RING 60 TON | * | 1 |
| 5 | WIPER RING | * | 1 |
| 6 | SEAL GT ROD 2 3/4" ID | * | 1 |
| 7 | SEAL GT PISTON 4 7/8" OD | * | 2 |
| 8 | O RING | * | 1 |
| 9 | BACKUP RING | * | 1 |
| 10 | RETAINING RING | 6110303 | 1 |
| 11 | SEAL GT ROD 3 5/8" ID | * | 1 |
| 12 | PLUNGER SLEEVE | 6110308 | 1 |
| 13 | TUBE WELDMENT-REF2005C | 6110312 | 1 |
| 14 | FEMALE COUPLER 3050-3 | 40858 | 2 |
| 15 | DUST CAP | CR215 | 2 |
| 16 | THREAD PROTECT 60/100 TON | 6110310 | 1 |
| 17 | WARNING DECAL | * | 1 |
| 18 | SIMPLEX LOGO LARGE | 89967 | 1 |
| 19 | HANDLE STUD | 45527 | 2 |
| 20 | RIVET | 93903 | 2 |
| 21 | 3/8 RETAINING NO THRDS | 42498 | 2 |
| 22 | GASKET | 6050126 | 4 |
| 23 | CARRYING HANDLE | 41192 | 2 |
| 24 | RELIEF VALVE 10,500 PSI | 6110309 | 1 |
| 25 | SLEEVE | 88823 | 1 |
| 26 | WASHER | 88824 | 1 |
| 27 | DUST PLUG | 88822 | 1 |
| 28 | DECAL-EXT.REL VLV DUST CAP | 88826 | 1 |
| 29 | DECAL-EXT.REL VLV DUST SLEEVE | 88825 | 1 |
| PACKING KIT (*=COMPONENTS) 54645 | | | |



To Maintain Your Warranty
Have your products inspected and repaired by Authorized Simplex Service Center
Visit www.tksimplex.com to locate the nearest one.

