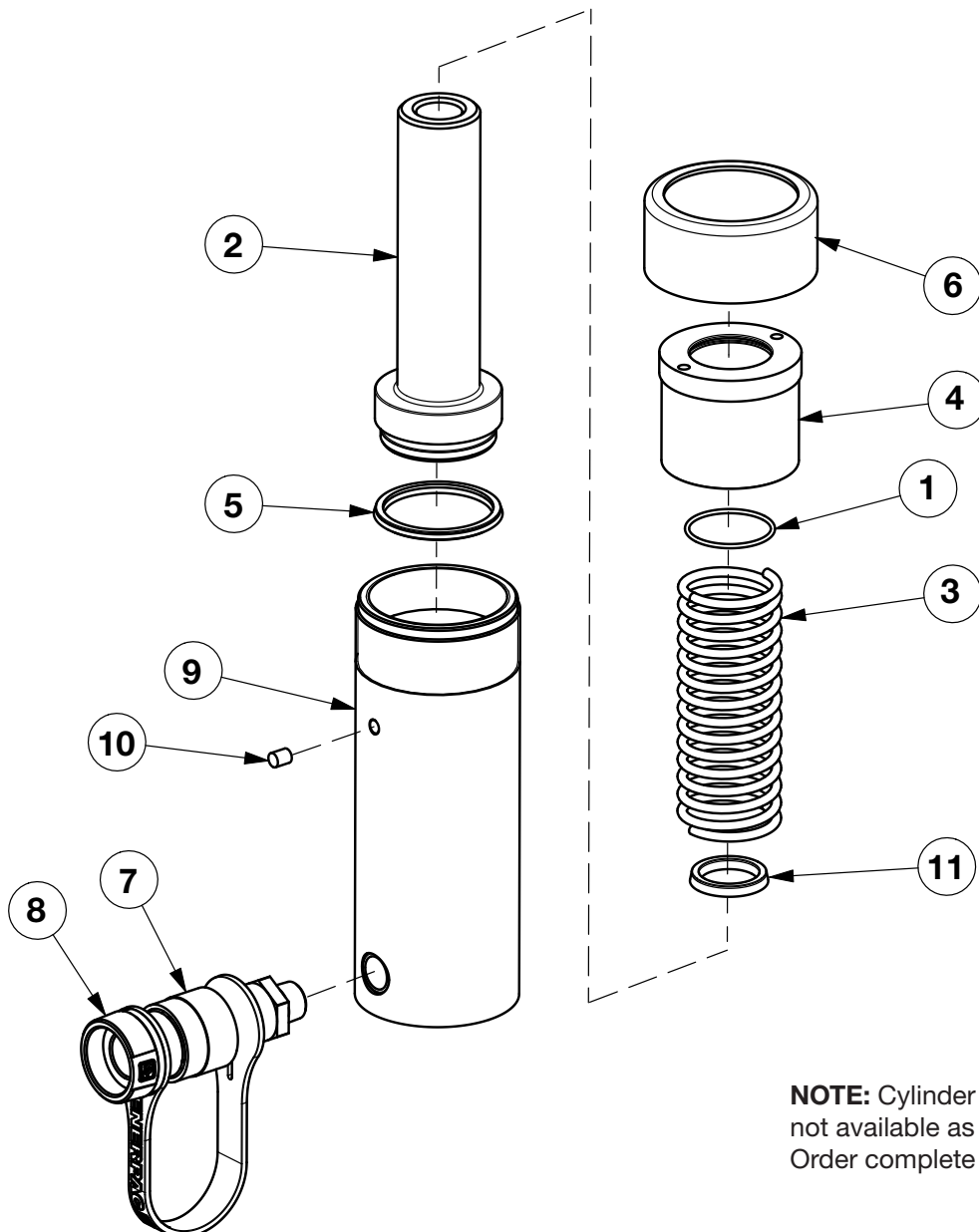


Document Number	Document Revision	Document Revision Date	Product Date Code Beginning With
L767	C	08/2018	O

To Protect Your Warranty, Use Only ENERPAC Hydraulic Oil.

Enerpac recommends that all kit components be installed to insure optimum performance of the repaired product.



NOTE: Cylinder base, item 9, is not available as a service item. Order complete cylinder.

⚠ WARNING STOP RINGS ON RCH MODELS ARE SPRING LOADED! If not contained during disassembly, spring and stop ring could cause personal injury.

Parts List for RCH-123			
Item No.	Part Number	Qty.	Description
1	★ B1234503	1	O-Ring-1-3/8", 1-1/2", 1/16", NBR, 70 DURO
2	CB757040	1	Plunger
3	CB763110	1	Compression Spring
4	CB790044	1	Stop Ring
5	★ CJ422041	1	U-Cup
6	DC1243271	1	Vinyl Thread Protector
7	DC1389900	1	Female Coupler
8	DD1782020	1	Dust Cap
9	DD6857030	1	Cylinder Base
10	PA1203118	1	Filter
11	★ Y741041	1	U-Cup

★ Indicates items included in and available only as part of Repair Kit RCH121K1.