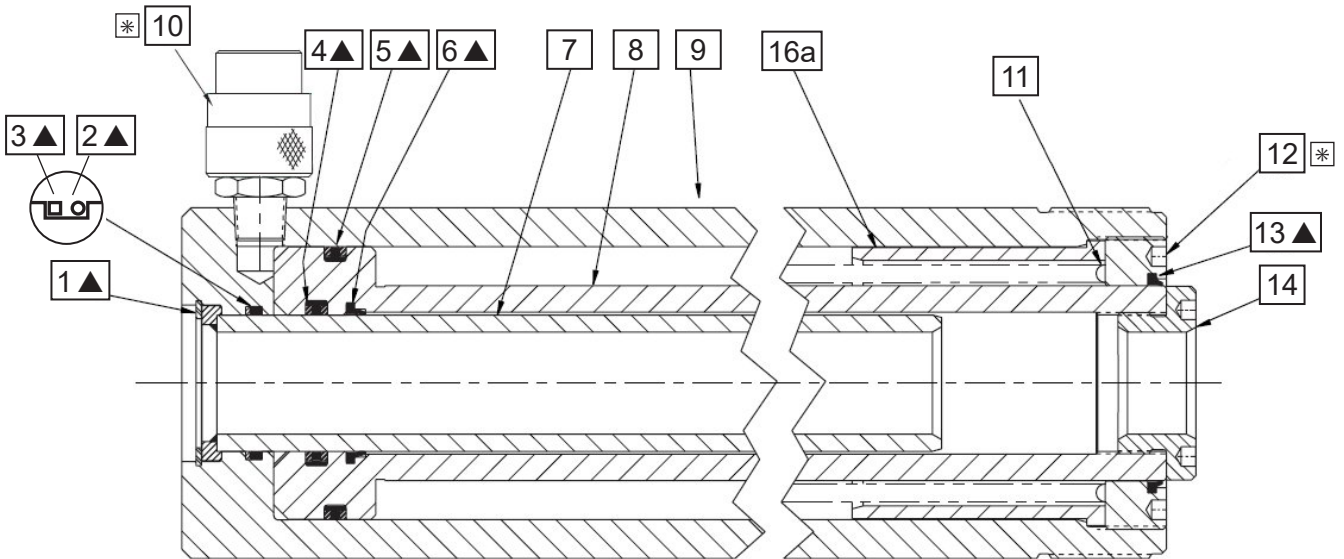


Document Number	Revision	Revision Date	Product Code Beginning With
L1627	L	02/2020	C



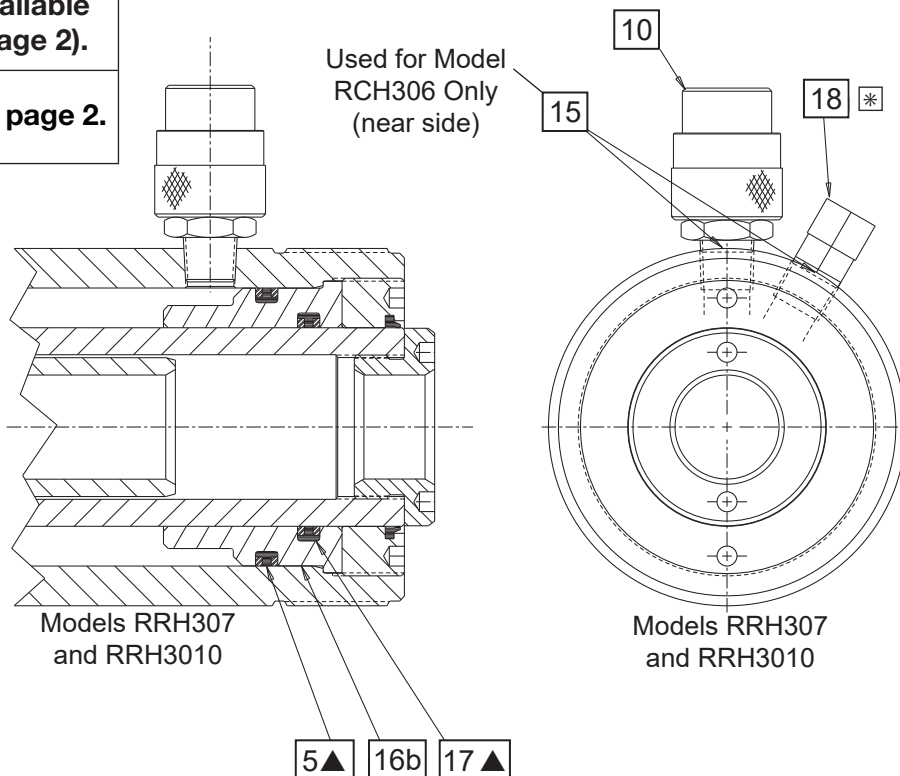
**WARNING: STOP RINGS ON RCH MODELS ARE SPRING LOADED! IF NOT CONTAINED DURING DISASSEMBLY, SPRING AND STOP RING COULD CAUSE PERSONAL INJURY.**



Models RCH302 and RCH306

▲ = Parts available in kits (see page 2).

\* See  on page 2.



Models RRH307 and RRH3010

Models RRH307 and RRH3010

Repair Parts List						L1627
Item	Description	Qty.	RCH302	RCH306	RRH307	RRH3010
1	Retaining Ring ▲	1	A1006049	A1006049	A1006049	A1006049
2	O Ring ▲	1	B1090503	B1090503	B1090503	B1090503
3	Back Up Ring ▲	1	DA4984566	DA4984566	DA4984566	DA4984566
4	G T Ring ▲	1	B13271514	B13271514	B13271514	B13271514
	G T Ring ■	1	B13271516	B13271516	B13271516	B13271516
5	G T Ring ▲	1	B1338513	B1338513	B1338513 (Qty 2)	B1338513 (Qty 2)
	G T Ring ■	1	B1338515	B1338515	B1338515 (Qty 2)	B1338515 (Qty 2)
6	Wiper ▲	1	CJ142044	CJ142044	CJ142044	CJ142044
7	Center Tube	1	DA4068900	DA3468900	DA3468900	DA4101900
8	Plunger	1	DA4066040	DA3472040	DA3472040	DA4100040
9	Cylinder	1	Not available as service part. Order new cylinder.			
10	Coupler	1	CR400	CR400	---	---
	Coupler	2	---	---	CR400	CR400
11	Spring	1	CH259110	CR514110	---	---
12	Stopring	1	DA3464044	DA3464044	DA3464044	DA3464044
13	Wiper ▲	1	CJ50044	CJ50044	CJ50044	CJ50044
14	Saddle	1	CF698045	CF698045	CF698045	CF698045
15	Plug	1	---	A1009245	---	---
16a	Stop Tube	1	DA4069268	DA3466268	---	---
16b	Int. Stop Ring	1	---	---	DA3463044	DA3463044
17	G T Ring ▲	1	---	---	B1333514	B1333514
	G T Ring ■	1	---	---	B1333516	B1333516
18	Relief Valve	1	---	---	CJ160900W	CJ160900W
19	Dust Cap (not shown) ▲	1	DD1782020	DD1782020	---	---
	Dust Cap (not shown) ▲	2	---	---	DD1782020	DD1782020
20	Thread Protector (not shown) ▲	1	CL402271	CL402271	CL402271	CL402271
21	Decal Warning (not shown) ▲	1	DA5625026	DA5625026	DA5625026	DA5625026
22	Decal Hollow (not shown) ▲	1	G668026	G668026	G668026	G668026
23	Decal, Warning (not shown) ▲	1	DA6027026	DA6027026	DC6154026	DC6154026
24	Coupler, O-Ring (not shown)	1	B1116803	B1116803	---	---
	Coupler, O-Ring (not shown)	2	---	---	B1116803	B1116803
	Repair Kit (standard seals)		RCH302K2	RCH302K2	RRH3010K2	RRH3010K2
	Repair Kit (Viton seals)		RWH302KV	RWH302KV	RWH302KV	RWH302KV

▲ = Indicates Items Included in Repair Kits RCH302K2 and RRH3010K2.

■ = Indicates Items Included in Repair Kits RWH302KV. Parts included in kits will vary, depending on kit ordered.

**IMPORTANT:** Shaded items are available only in kits (not sold separately).



* Service Notes			L1627
Item	Model	Torque / Remark	
10	RCH / RRH	40 - 60 ft-lbs [54 - 81 Nm]	
10	RCH / RRH	Use Loctite 545 or Teflon tape	
12	RCH / RRH	Use Loctite 222	
18	RRH	40 - 60 ft-lbs [54 - 81 Nm]	
18	RRH	Set safety valve to 11,000 - 11,500 psi [760 - 795 bar]	
18	RRH	Use Loctite 545 or Teflon tape	



To maintain your warranty:

- Use only Enerpac Oil
- Have your products inspected and repaired by an Enerpac Authorized Service Center

**ENERPAC**

Visit [www.enerpac.com](http://www.enerpac.com) for the location of the Enerpac Authorized Service Center nearest you.