

BASE CLEVIS ATTACHMENTS

L1326 Rev. O 07/89

Repair Parts Sheets for this product are available from the Enerpac web site at www.enerpac.com, or from your nearest Authorized Enerpac Service Center or Enerpac Sales office.

1.0 IMPORTANT RECEIVING INSTRUCTIONS

Visually inspect all components for shipping damage. Shipping damage is **not** covered by warranty. If shipping damage is found, notify carrier at once. The carrier is responsible for all repair and replacement costs resulting from damage in shipment.

SAFETY FIRST

2.0 SAFETY ISSUES



Read all instructions, warnings and cautions carefully. Follow all safety precautions to avoid personal injury or property damage during system operation. Enerpac cannot be responsible for damage or injury resulting from unsafe product use, lack of maintenance or incorrect product and/or system operation. Contact Enerpac when in doubt as to the safety precautions and operations. If you have never been trained on high-pressure hydraulic safety, consult your distribution or service center for a free Enerpac Hydraulic safety course.

Failure to comply with the following cautions and warnings could cause equipment damage and personal injury.

A **CAUTION** is used to indicate correct operating or maintenance procedures and practices to prevent damage to, or destruction of equipment or other property.

A **WARNING** indicates a potential danger that requires correct procedures or practices to avoid personal injury.

A **DANGER** is only used when your action or lack of action may cause serious injury or even death.



WARNING: Wear proper personal protective gear when operating hydraulic equipment.



WARNING: Stay clear of loads supported by hydraulics.

A cylinder, when used as a load lifting device, should never be used as a load holding device. After the load has been raised or lowered, it must always be blocked mechanically.



WARNING: USE ONLY RIGID PIECES TO HOLD LOADS.

Carefully select steel or wood blocks that are capable of supporting the load. Never use a hydraulic cylinder as a shim or spacer in any lifting or pressing application.



DANGER: To avoid personal injury keep hands and feet away from cylinder and workpiece during operation.



WARNING: Do not exceed equipment ratings. Never attempt to lift a load weighing more than the capacity of the cylinder. Overloading causes equipment failure and possible personal injury. The cylinders are designed for a max. pressure of 700 bar [10,000 psi]. Do not connect a jack or cylinder to a pump with a higher pressure rating.



Never set the relief valve to a higher pressure than the maximum rated pressure of the pump. Higher settings may result in equipment damage and/or personal injury.



WARNING: The system operating pressure must not exceed the pressure rating of the lowest rated component in the system. Install pressure gauges in the system to monitor operating pressure. It is your window to what is happening in the system.



CAUTION: Avoid damaging hydraulic hose. Avoid sharp bends and kinks when routing hydraulic hoses. Using a bent or kinked hose will cause severe back-pressure. Sharp bends and kinks will internally damage the hose leading to premature hose failure.



Do not drop heavy objects on hose. A sharp impact may cause internal damage to hose wire strands. Applying pressure to a damaged hose may cause it to rupture.



IMPORTANT: Do not lift hydraulic equipment by the hoses or swivel couplers. Use the carrying handle or other means of safe transport.



CAUTION: Keep hydraulic equipment away from flames and heat. Excessive heat will soften packings and seals, resulting in fluid leaks. Heat also weakens hose materials and packings. For optimum performance do not expose equipment to temperatures of 65°C [150°F] or higher. Protect hoses and cylinders from weld spatter.



DANGER: Do not handle pressurized hoses. Escaping oil under pressure can penetrate the skin, causing serious injury. If oil is injected under the skin, see a doctor immediately.



WARNING: Only use hydraulic cylinders in a coupled system. Never use a cylinder with unconnected couplers. If the cylinder becomes extremely overloaded, components can fail catastrophically causing severe personal injury.



WARNING: BE SURE SETUP IS STABLE BEFORE LIFTING LOAD. Cylinders should be placed on a flat surface that can support the load. Where applicable, use a cylinder base for added stability. Do not weld or otherwise modify the cylinder to attach a base or other support.



Avoid situations where loads are not directly centered on the cylinder plunger. Off-center loads produce considerable strain on cylinders and plungers. In addition, the load may slip or fall, causing potentially dangerous results.



Distribute the load evenly across the entire saddle surface. Always use a saddle to protect the plunger.



IMPORTANT: Hydraulic equipment must only be serviced by a qualified hydraulic technician. For repair service, contact the Authorized ENERPAC Service Center in your area. To protect your warranty, use only ENERPAC oil.



WARNING: Immediately replace worn or damaged parts by genuine ENERPAC parts. Standard grade parts will break causing personal injury and property damage. ENERPAC parts are designed to fit properly and withstand high loads.



CAUTION: Always provide clearance for hoses and couplers to avoid moving objects, abrasion or sharp objects.

3.0 Purpose

1. Base clevis attachments fit ENERPAC RE single-acting cylinders using socket head capscrews. Cylinder capacities are 5 through 25 ton. (See Data Chart.)
2. Clevis attachments provide a method of attaching cylinders to custom fixtures or set-ups for a pushing operation only. **CAUTION:** Do not use clevis attachment for pulling operations. When used properly the clevis is capable of withstanding full rated cylinder capacity.

4.0 INSTALLATION

1. Place the clevis over the cylinder base. Align the two mounting holes. Install two socket head capscrews. See below for recommended sizes. Torque capscrews to values shown below.

Clevis Model	Capscrew Sizes	Torque Values Lubricated	Dry
REB-5	1/4 - 20 x 5/8" long	8 - 10 ft-lbs.	11 - 13 ft-lbs.
REB-10	5/16 - 18 x 5/8" long	16 - 20 ft-lbs.	22 - 27 ft-lbs.
REB-15	3/8 - 16 x 3/4" long	27 - 35 ft-lbs.	39 - 47 ft-lbs.
REB-20	1/2 - 13 x 3/4" long	73 - 89 ft-lbs.	98 - 118 ft-lbs.

Clevis Model	Pin Size	Yield Strength
REB-5	5/8" diameter	50,000 PSI
REB-10	7/8" diameter	60,000 PSI
REB-15	7/8" diameter	60,000 PSI
REB-20	1-1/4" diameter	60,000 PSI

DATA CHART

Cyl. Cap. (tons)	Dimensions — In Inches													Order Model No.
	A	B	C	D	E	F	G	H	I	J	L	M		
5*	1 1/2	1/4	1/2	2 1/2	5/8	1 1/8	9/16	5/8	1	1/16	1/4	1 3/4	REB-5	
10	2 1/4	1/4	1/2	2 7/8	1	1 11/16	1	7/8	1 1/16	1	5/16	2 1/2	REB-10	
15	2 3/4	1/4	1/2	2 7/8	1	1 11/16	1	7/8	1 7/8	1	3/8	3	REB-15	
20	3 3/8	1/4	1/2	3 3/8	1 1/4	2 1/4	1 1/2	1 1/4	2 5/16	1 1/2	5/16	3 3/4	REB-25	

*Not usable with RC and JSS-50 cylinders.

Enerpac Worldwide Locations

Africa
 ENERPAC Middle East FZE
 P.O. Box 18004
 Jebel Ali, Dubai
 United Arab Emirates
 Tel: +971 (0)4 8872686
 Fax: +971 (0)4 8872687

Australia
 ENERPAC, Actuant Australia Ltd.
 Block V Unit 3, Regents Park Estate
 391 Park Road
 Regents Park NSW 2143
 (P.O. Box 261) Australia
 Tel: +61 297 438 988
 Fax: +61 297 438 648

Brazil
 Power Packer do Brasil Ltda.
 Rua dos Inocentes, 567
 04764-050 - Sao Paulo (SP)
 Tel: +55 11 5687 2211
 Fax: +55 11 5686 5583
Toll Free in Brazil:
 Tel: 0800 891 5770
 vendasbrasil@enerpac.com

Canada
 Actuant Canada Corporation
 6615 Ordan Drive, Unit 14-15
 Mississauga, Ontario L5T 1X2
 Tel: +1 905 564 5749
 Fax: +1 905 564 0305
Toll Free:
 Tel: +1 800 268 4987
 Fax: +1 800 461 2456
Technical Inquiries:
 techservices@enerpac.com

China
 Actuant China Ltd.
 1F, 269 Fute N. Road
 Waigaoqiao Free Trade Zone
 Pudong New District
 Shanghai, 200131 China
 Tel: +86 21 5866 9099
 Fax: +86 21 5866 7156

Actuant China Ltd. (Beijing)
 709A Xin No. 2
 Diyang Building
 Dong San Huan North Rd.
 Beijing City, 100028 China
 Tel: +86 10 845 36166
 Fax: +86 10 845 36220

Central and Eastern Europe
 ENERPAC B.V.
 Galvanistraat 115
 P.O. Box 8097, 6710 AB Ede
 The Netherlands
 Tel: +31 318 535 936
 Fax: +31 318 535 951

France
 ENERPAC Une division de
 ACTUANT France s.a.
 B.P. 200
 Parc d'Activités
 du Moulin de Massy
 F-91882 Massy CEDEX France
 Tel: +33 1 601 368 68
 Fax: +33 1 692 037 50

✦ e-mail: info@enerpac.com

Germany, Austria, Switzerland, Russia, Greece and CIS (excl. Caspian Sea Countries) ENERPAC Applied Power GmbH
 P.O. Box 300113
 D-40401 Düsseldorf
 Germany
 Tel: +49 211 471 490
 Fax: +49 211 471 49 28

India
 ENERPAC Hydraulics (India) Pvt. Ltd.
 Office No. 9, 10 & 11
 Plot No. 56, Monarch Plaza,
 Sector 11, C.B.D. Belapur
 Navi Mumbai 400614, India
 Tel: +91 22 2756 6090
 Tel: +91 22 2756 6091
 Fax: +91 22 2756 6095

Italy
 ENERPAC S.p.A.
 Via Canova 4
 20094 Corsico (Milano)
 Tel: +39 02 4861 111
 Fax: +39 02 4860 1288

Japan
 Applied Power Japan Ltd.
 1-1-11, Shimomae
 Toda-shi
 Saitama Pref.
 Japan 335-0016
 Tel: +81 484 30 1055
 Fax: +81 484 30 1066

The Netherlands, Belgium, Luxembourg, Sweden, Denmark, Norway, Finland, Baltic States
 ENERPAC B.V.
 Galvanistraat 115
 P.O. Box 8097, 6710 AB Ede
 The Netherlands
 Tel: +31 318 535 911
 Fax: +31 318 525 613
 +31 318 535 848

Technical Inquiries Europe:
 techsupport.europe@enerpac.com

Singapore
 Enerpac Asia Pte. Ltd.
 25 Serangoon North Ave. 5
 #03-01 Keppel Digihub
 Singapore 554914
 Thomson Road
 P.O. Box 114
 Singapore 915704
 Tel: +65 64 84 5108
 +65 64 84 3737
 1800 363 7722
 Fax: +65 64 84 5669

Technical Inquiries:
 sales@enerpac.com.sg

South Korea
 Actuant Korea Ltd.
 3Ba 717, Shihwa Industrial
 Complex, Jungwang-Dong,
 Shihung-Shi, Kyunggi-Do
 Republic of Korea 429-450
 Tel: +82 31 434 4506
 Fax: +82 31 434 4507

✦ internet: www.enerpac.com

Spain, Portugal
 ENERPAC
 C/San José Artesano 8
 Pol. Ind.
 28108 Alcobendas
 (Madrid) Spain
 Tel: +34 91 661 11 25
 Fax: +34 91 661 47 89

Middle East, Turkey, Caspian Sea
 ENERPAC Middle East FZE
 P.O. Box 18004
 Jebel Ali, Dubai
 United Arab Emirates
 Tel: +971 (0)4 8872686
 Fax: +971 (0)4 8872687

United Kingdom, Ireland
 ENERPAC Ltd., P.O. Box 33
 New Romney, TN28 8QF
 United Kingdom
 Tel: +44 1527 598 900
 Fax: +44 1527 585 500

USA, Latin America and Caribbean
 ENERPAC
 P.O. Box 3241
 6100 N. Baker Road
 Milwaukee, WI 53209 USA
 Tel: +1 262 781 6600
 Fax: +1 262 783 9562

User inquiries:
 +1 800 433 2766
Distributor inquiries/orders:
 +1 800 558 0530

Technical Inquiries:
 techservices@enerpac.com
 122804

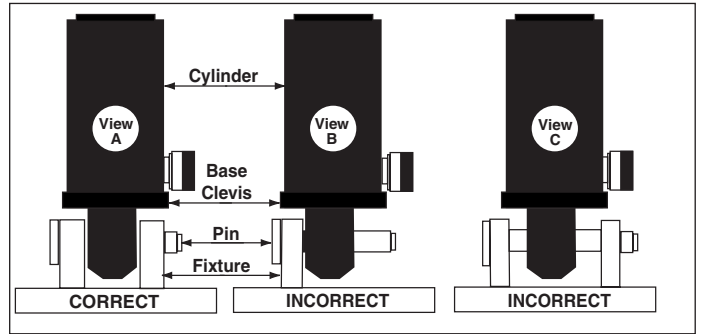
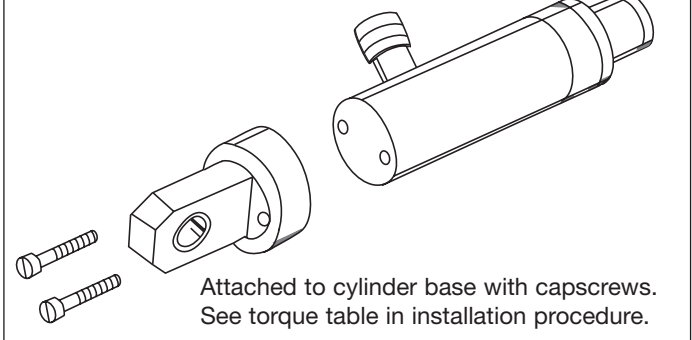


Figure 1

2. Install the cylinder and clevis into fixture by inserting cold drawn steel pins through the clevis and fixture. See figure 1 for pin sizes and the recommended fixture mounting condition. View "A" is correct and provides a stable condition. View "B" and "C" are incorrect.

BASE CLEVIS



All Enerpac products are guaranteed against defects in workmanship and materials for as long as you own them. For your nearest authorized Enerpac Service Center, visit us at www.enerpac.com