

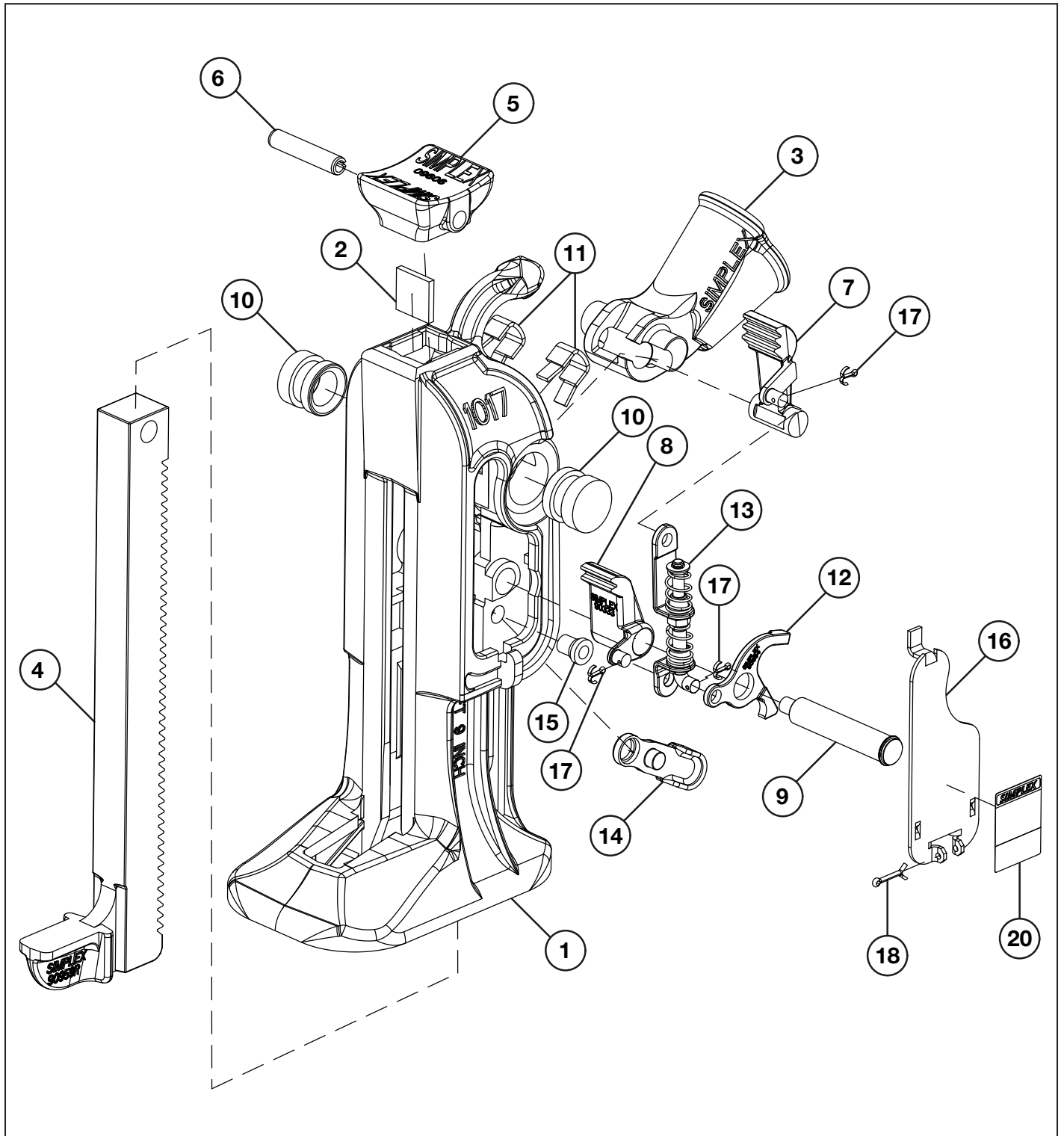


Repair Parts Sheet

Ratchet Jack  
RJ1017

54050 Rev. E 03/2019

Simplex recommends that all kit components be installed to insure optimum performance of the repaired product.



Repair Parts List			
Item No.	Part Number	Qty.	Description
	RJ1017		
1	N/A	1	Housing - Not serviceable
2	★	1	Wearing Plate
3	90958	1	Lever Socket
4	90959	1	Rack Bar
5	●	1	Cap
6	● *	1	Cap Pin
7	90962	1	Lifting Pawl
8	90333	1	Retaining Pawl
9	*	1	Retaining Pawl Pin Assembly
10	★	2	Trunnion Bearing
11	★ *	2	Trunnion Bearing Key
12	90964	1	Spring Link Lever
13	★	1	Spring Link Complete
14	90276	1	Reversing Lever
15	*	1	Reversing Lever Rivet
16	90965	1	Side Plate
17	★ *	3	Cotter Pin
18	*	1	Side Plate Cotter Pin
20	★	1	Capacity and Instruction Label

\* - Indicates parts included in RK101701 Hardware Kit Components.  
★ - Indicates parts included in 40561 Repair Kit.  
● - Indicates parts included in RK101702 Cap Kit Components.  
N/A - Not Available.



N86 W12500 Westbrook Crossing  
Menomonee Falls, WI 53051  
Phone - USA Only: 1 (800) 323-9114  
Phone - Inside/Outside USA: 1 (262) 293-1575  
Fax: 1 (262) 597-1127  
[www.tksimplex.com](http://www.tksimplex.com)