

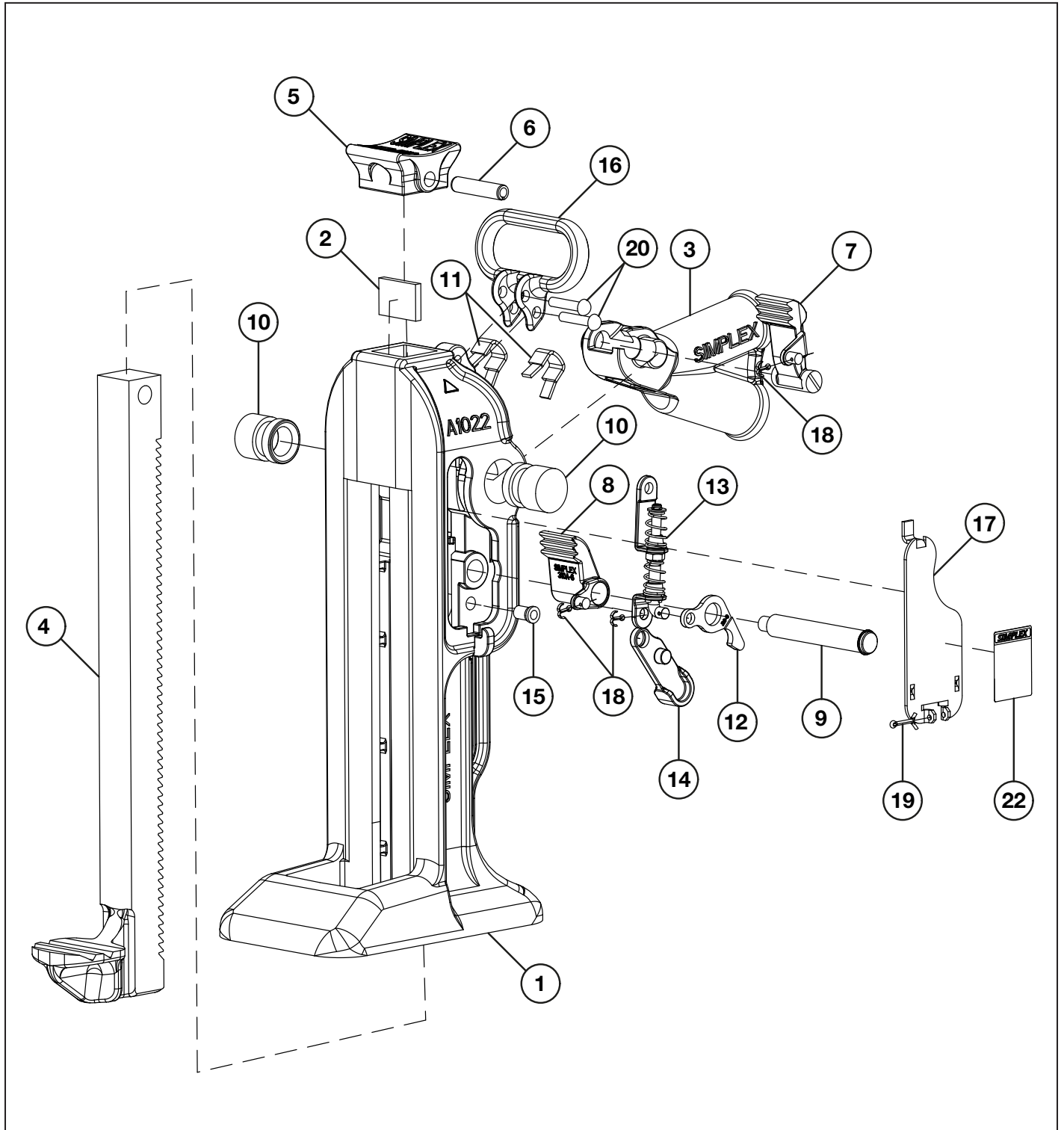


# Repair Parts Sheet

## Ratchet Jack RJA1022 and RJ22B

54051 Rev. E 03/2019

Simplex recommends that all kit components be installed to insure optimum performance of the repaired product.



Repair Parts List				
Item No.	Part Number		Qty.	Description
	RJA1022	RJ22B		
1	N/A	N/A	1	Housing - Not Serviceable
2	★	★	1	Wearing Plate
3	90586	90586	1	Lever Socket
4	90968	90968	1	Rack Bar
5	●	●	1	Cap
6	● *	● *	1	Cap Pin
7	90588	90588	1	Lifting Pawl
8	90589	90589	1	Retaining Pawl
9	*	*	1	Retaining Pawl Pin Assembly
10	★	★	2	Trunnion Bearing
11	★ *	★ *	2	Trunnion Bearing Key
12	90275	90275	1	Spring Link Lever
13	★	★	1	Spring Link Complete
14	90970	90970	1	Reversing Lever
15	*	*	1	Reversing Lever Rivet
16	41192	41192	1	Handle
17	41482	90965	1	Side Plate
18	★ *	★ *	3	Cotter Pin
19	*	*	1	Side Plate Cotter Pin
20	*	*	2	Handle Rivet
22	★	★	1	Capacity and Instruction Label

\* - Indicates parts included in RKA102201(RJA1022) and RK22B01(RJ22B) Hardware Kit Components.  
★ - Indicates parts included in 40562 Repair Kit.  
● - Indicates parts included in RKA1022B02 Cap Kit Components.  
N/A - Not Available.



N86 W12500 Westbrook Crossing  
Menomonee Falls, WI 53051  
Phone - USA Only: 1 (800) 323-9114  
Phone - Inside/Outside USA: 1 (262) 293-1575  
Fax: 1 (262) 597-1127  
[www.tksimplex.com](http://www.tksimplex.com)