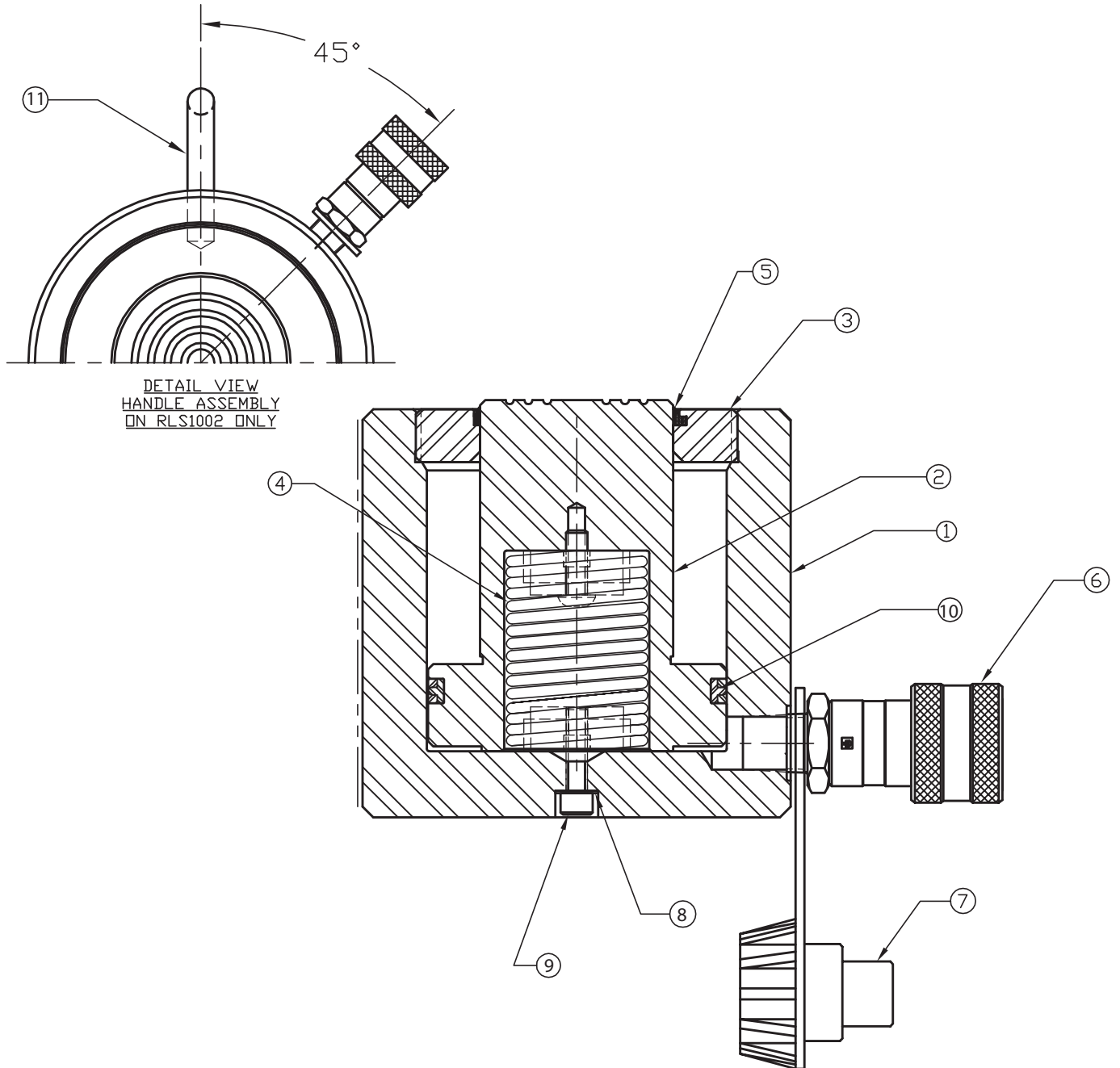


SIMPLEX

WWW.TKSIMPLEX.COM

TECHNICAL REPAIR PART SHEET All RLS Series Cylinders 10 - 100 Tons

PART SHEET NUMBER	REVISION NUMBER/LETTER	DATE CODE RANGE	DOCUMENT DATE
54506	D	RLS101 I0837 AND ABOVE RLS201 G0830 AND ABOVE RLS302 I0838 AND ABOVE RLS502 G0830 AND ABOVE RLS1002 H0833 AND ABOVE	0515



To maintain your warranty:
Have your products inspected and repaired by a SIMPLEX Authorized Service Center.
Visit www.tksimplex.com to locate the nearest one.





WWW.TKSIMPLEX.COM

TECHNICAL REPAIR PART SHEET
All RLS Series Cylinders
10 - 100 Tons

ITEM #	DESCRIPTION	PART #					QTY.
		RLS101	RLS201	RLS302	RLS502	RLS1002	
1	BASE	N/A	N/A	N/A	N/A	N/A	1
2	PLUNGER	6110099	6110107	6110115	6110123	6110311	1
3	STOP RING	6110100	6110108	6110116	6110124	6110132	1
4	SPRING ASSEMBLY	6110109	6110109	6110117	6110117	6110117	
5	WIPER	*	*	*	*	*	1
6	COUPLER & DUST CAP SET	C211	C211	C211	C211	C211	1
7							
8	GASKET	*	*	*	*	*	1
9	SCREW	6110112	6110112	40118	40118	68243	1
10	G T RING	*	*	*	*	*	1
11	HANDLE	N/A	N/A	N/A	N/A	6110138	1
NS	WARNING LABEL DECAL	87753	87753	87753	87753	87753	1
NS	SIMPLEX LOGO DECAL	88187	88187	88187	88187	88187	1
	PACKING KIT (* = COMPONENTS)	54501	54502	54503	54504	54505	

NS = NOT SHOWN



To maintain your warranty:
Have your products inspected and repaired by a SIMPLEX Authorized Service Center.
Visit www.tksimplex.com to locate the nearest one.

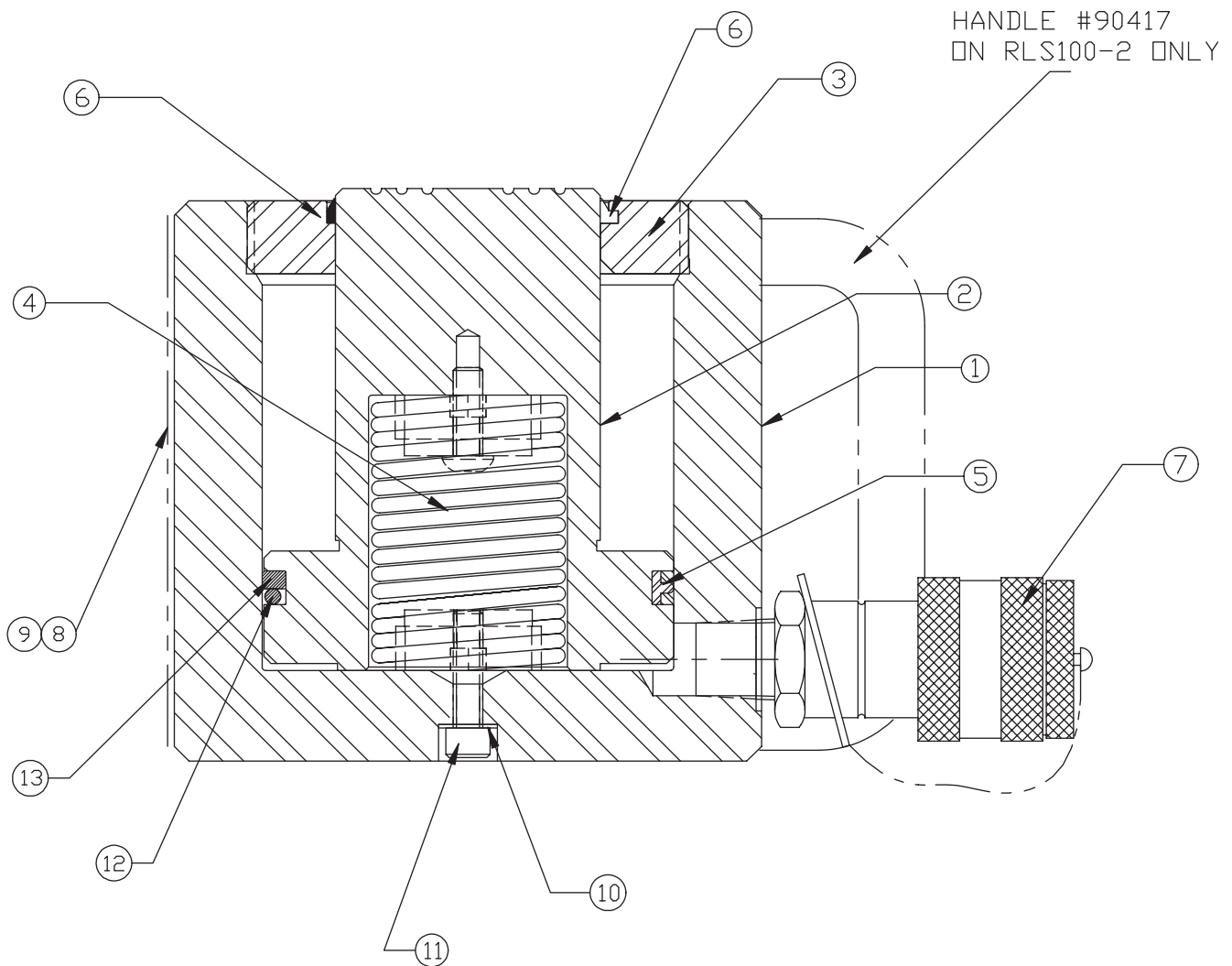


SIMPLEX®

WWW.TKSIMPLEX.COM

TECHNICAL REPAIR PART SHEET All RLS Series Cylinders 10 - 100 Tons

PART SHEET NUMBER	REVISION NUMBER/LETTER	DATE CODE RANGE	DOCUMENT DATE
54506	B	RLS101 I0837 AND BELOW RLS201 G0830 AND BELOW RLS302 I0838 AND BELOW RLS502 G0830 AND BELOW RLS1002 H0833 AND BELOW	12/05



To maintain your warranty:
Have your products inspected and repaired by a SIMPLEX Authorized Service Center.
Visit www.tksimplex.com to locate the nearest one.





WWW.TKSIMPLEX.COM

TECHNICAL REPAIR PART SHEET
All RLS Series Cylinders
10 - 100 Tons

ITEM	DESCRIPTION	RLS101	RLS201	RLS302	RLS502	RLS1002	QTY
		PART #					
01	HOUSING	N/A	N/A	N/A	N/A	N/A	1.00
02	PISTON	89805	89803	89795	89791	89793	1.00
03	RETAINING NUT	85523	85535	89876	85540	85545	1.00
04	SPRING ASM	89800	89800	89801	*	89801	1.00
06	WIPER	*	*	*	*	*	1.00
07	FEMALE COUPLER	40858	40858	40858	40858	40858	1.00
07	DUST CAP	CR215	CR215	CR215	CR215	CR215	1.00
08	WARNING DECAL	87753	80827	80827	80827	80827	1.00
09	SIMPLEX LOGO	88187	88187	88186	88186	88186	1.00
10	GASKET	85724	85724	85724	85724	85724	1.00
11	SCREW	93582	93582	40118	40118	40208	1.00
12	O-RING	*	*	*	*	*	1.00
13	BACK-UP RING	*	*	*	*	*	1.00
	PACKING KIT (*=CONTENTS)	54300	54301	54302	54303	54304	1.00



To maintain your warranty:
Have your products inspected and repaired by a SIMPLEX Authorized Service Center.
Visit www.tksimplex.com to locate the nearest one.

