

Specifications

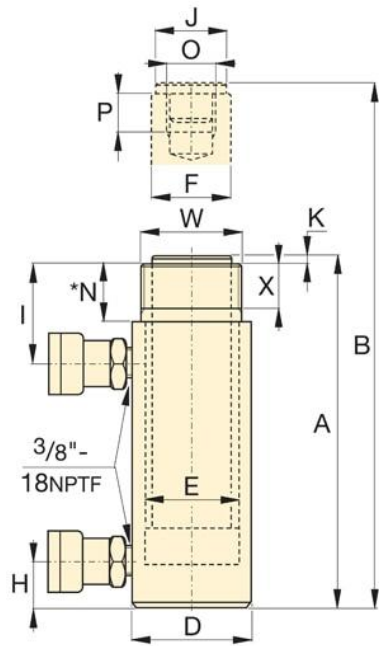
Units: Imperial Metric

Maximum Operating Pressure (psi)	10,000
Capacity Class (tonnage)	10
Maximum Cylinder Capacity Advance (tons)	11.1
Maximum Cylinder Capacity Retract (tons)	4
Stroke (in)	12
Collapsed Height A (in)	18
Extended Height B (in)	30
Return Type	Double-Acting, Hydraulic Return
Plunger Type	Solid
Material	Steel
Cylinder Effective Area Advance (in ²)	2.23
Cylinder Effective Area Retract (in ²)	0.8
Oil Capacity Advance (in ³)	26.8
Oil Capacity Retract (in ³)	9
Surface Treatment	Paint
Coupler	CR400 Coupler
Weight (lbs)	31

Dimensions

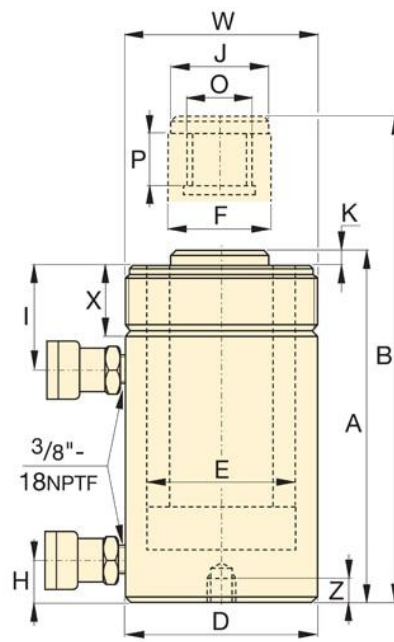
Units: Imperial Metric

Collapsed Height A (in)	18
Optional Tilt Saddle Addition To Collapsed Height A1 (in)	0.55
Optional Tilt Saddle Diameter J1 (in)	1.38
Extended Height B (in)	30
Outside Diameter D (in)	2.88
Cylinder Bore Diameter E (in)	1.69
Plunger Diameter F (in)	1.38
Base to Advance Port H (in)	1.44
Top to Retract Port (in)	2.25
Saddle Diameter J1 (in)	1.38
Saddle Protrusion from Plunger K (in)	0.24
Plunger Internal Thread O (in)	1" - 8
Plunger Thread Length P (in)	1
Saddle Maximum Tilt Angle Radius (degrees)	5
Base Mounting Holes Thread V	-
Collar Thread Size W	2¼" - 14
Collar Thread W (in)	2 1/4" - 14
Collar Thread Length X (in)	1.06

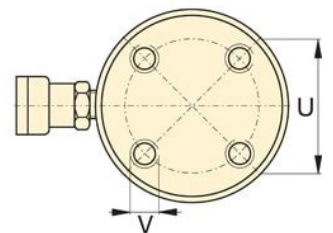


RR-1010 to RR-3014 models

* For RR-1010 and RR-1012:
N = 1.26 inch; for RR-308 and
RR-3014: N = 2.20 inch.



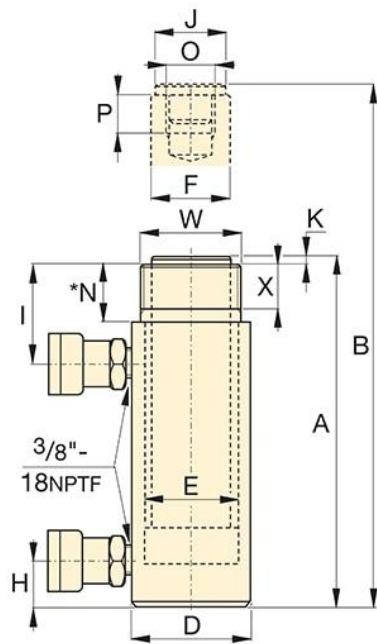
RR-506 to RR-50048 models



RR-1006 to RR-30048

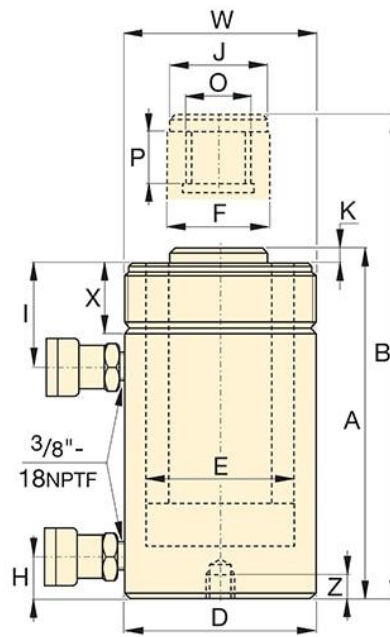
No mounting holes:

RR-506, 5013
RR-756, 7513
RR-1502, 15032

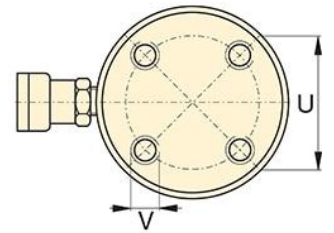


RR-1010 to RR-3014 models

* For RR-1010 and RR-1012:
N = 32 mm; for RR-308 and
RR-3014: N = 56 mm



RR-506 to RR-50048 models



RR-1006 to RR-30048

No mounting holes:

RR-506, 5013
RR-756, 7513
RR-1502, 15032