

Specifications

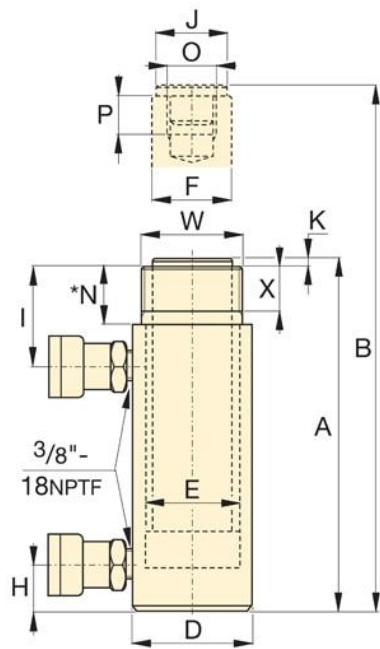
Units: **Imperial** Metric

Maximum Operating Pressure (psi)	10,000
Capacity Class (tonnage)	150
Maximum Cylinder Capacity Advance (tons)	153.5
Maximum Cylinder Capacity Retract (tons)	30
Stroke (in)	2.25
Collapsed Height A (in)	7.19
Extended Height B (in)	9.44
Return Type	Double-Acting, Hydraulic Return
Plunger Type	Solid
Material	Steel
Cylinder Effective Area Advance (in ²)	30.71
Cylinder Effective Area Retract (in ²)	14.8
Oil Capacity Advance (in ³)	69.11
Oil Capacity Retract (in ³)	33
Surface Treatment	Paint
Coupler	CR400 Coupler
Weight (lbs)	110

Dimensions

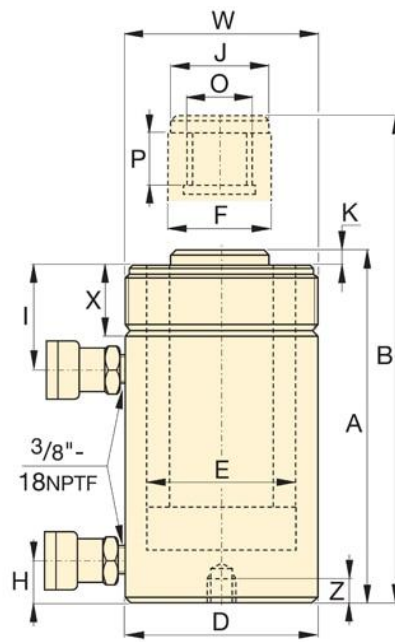
Units: **Imperial** Metric

Collapsed Height A (in)	7.19
Extended Height B (in)	9.44
Outside Diameter D (in)	8
Cylinder Bore Diameter E (in)	6.25
Plunger Diameter F (in)	4.5
Base to Advance Port H (in)	0.88
Top to Retract Port (in)	2.63
Saddle Diameter J1 (in)	3.67
Saddle Protrusion from Plunger K (in)	0.06
Base Mounting Holes Thread V	-
Collar Thread Size W	-

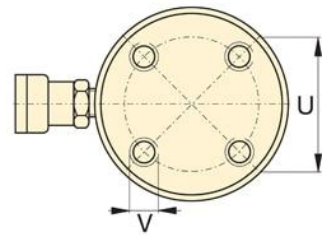


RR-1010 to RR-3014 models

* For RR-1010 and RR-1012:
N = 1.26 inch; for RR-308 and
RR-3014: N = 2.20 inch.

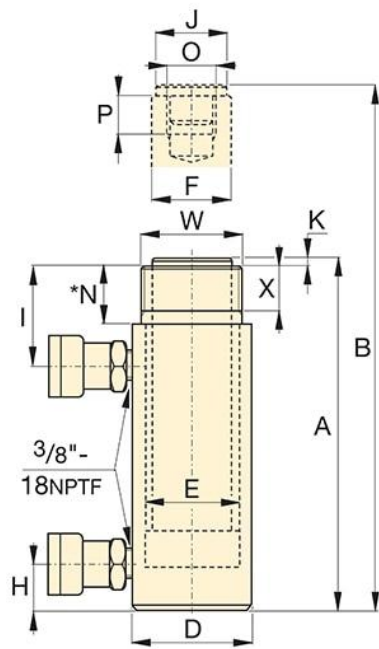


RR-506 to RR-50048 models



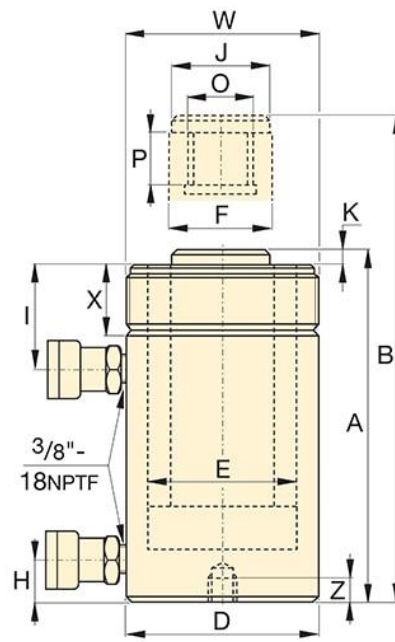
RR-1006 to RR-30048

No mounting holes:
RR-506, 5013
RR-756, 7513
RR-1502, 15032

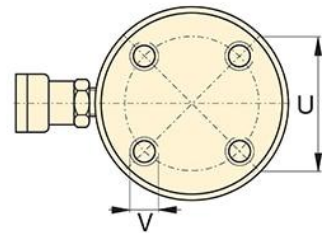


RR-1010 to RR-3014 models

* For RR-1010 and RR-1012:
N = 32 mm; for RR-308 and
RR-3014: N = 56 mm



RR-506 to RR-50048 models



RR-1006 to RR-30048

No mounting holes:
RR-506, 5013
RR-756, 7513
RR-1502, 15032