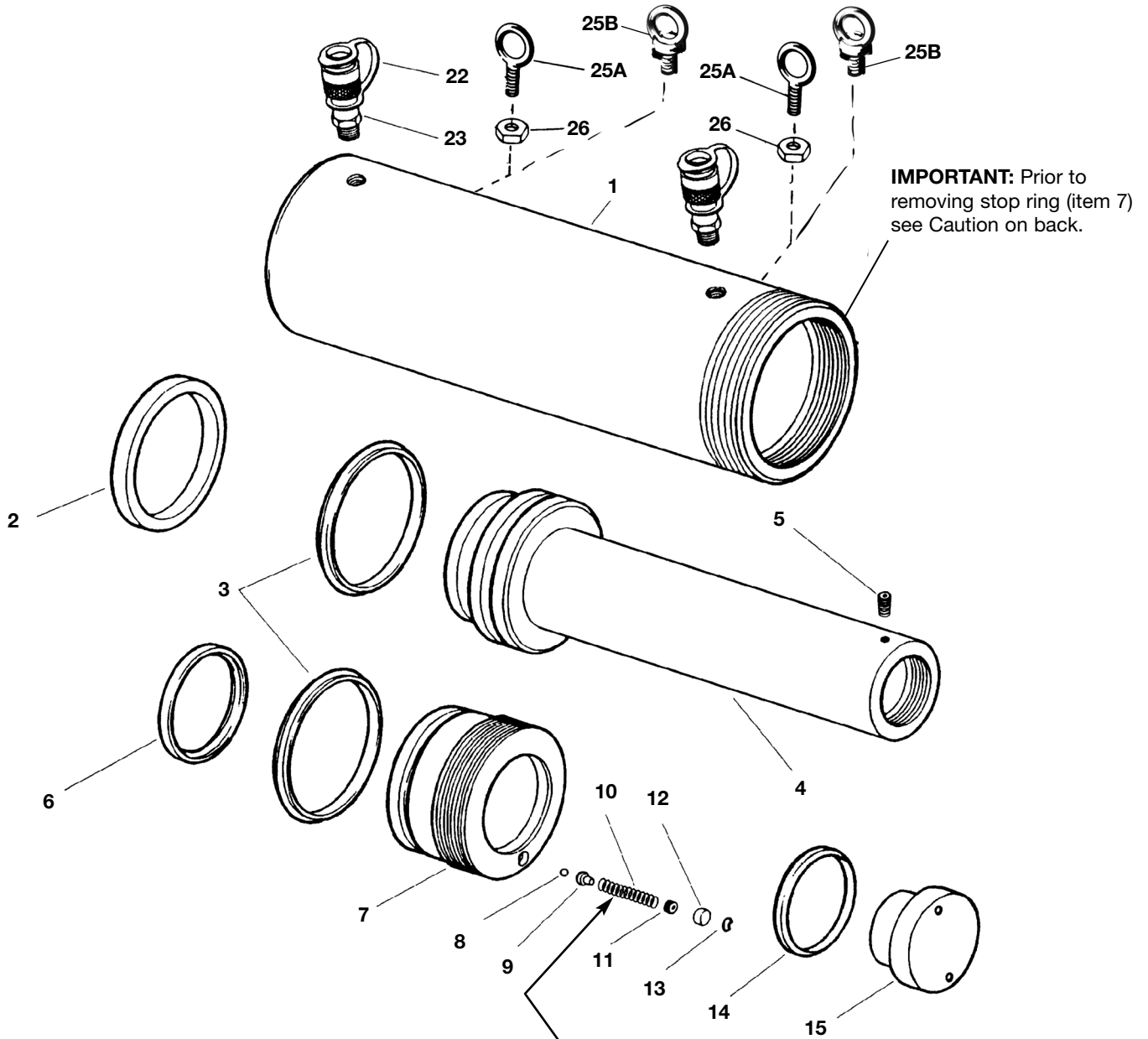


To Protect Your Warranty, Use Only ENERPAC Hydraulic Oil.

Enerpac recommends that all kit components be installed to insure optimum performance of the repaired product.



**Note:** Relief valve to be set at 10,500-11,000 psi [723-758 bar]

Figure 1, Cylinder Assembly

## Repair Parts List for Figure 1

Item	Part Number	Qty.	Description	Item	Part Number	Qty.	Description
1	Order complete cylinder.	1	Cylinder	12	F532018	1	Bronze Filter
2	★ CH796041	1	U-cup	13	F533049	1	Retaining Ring (includ. in Item 24)
3	★ B1435513	2	G-T Ring Assembly	14	★ F549044	1	Wiper Ring
4	CJ16040	1	Plunger (RR1506)	15	Y4045	1	Saddle
	Y3040	1	Plunger (RR15013)	22	CD411	2	Dust Cap
5	Y13028	1	Screw	23	CR400	2	Coupler
6	★ B1349514	1	G-T Ring Assembly	24	C962110SR	1	Relief Valve Service Kit (includes Items 8,9,10,11,12,13)
7	Y2044	1	Stop-ring	25A	CM579242	2	Eyebolt (RR15013)
8	B1003016	1	1/8" Ball (includ. in Item 24)	25B	BSS6350D	2	Eyebolt (RR1506)
9	F522570	1	Ball Guide (includ. in Item 24)	26	B1013120	2	Nut (RR15013)
10	C962110	1	Spring				
11	A8004048	1	Hollow Adjusting Screw				

★ Items included in and available only as part of Repair Kit RR15013K.

**CAUTION:** Hydraulic cylinder stop-ring threads are lightly staked during manufacturing, to prevent the stop-ring from turning during use.

Prior to removing a stop-ring, remove the staked area to prevent damage to other threads. Use a drill bit which is slightly larger than the staked area. Drill out all deformed material until good threads are visible on all sides and the bottom of the staked area (usually 1 or 2 threads.) After reassembly and testing, re-stake the stop-ring threads, choosing a new location on the cylinder.

### Enerpac Worldwide Locations

**Africa**  
 ENERPAC Middle East FZE  
 Office 423, JAFZA 15  
 P.O. Box 18004  
 Jebel Ali, Dubai  
 United Arab Emirates  
 Tel: +971 (0)4 8872686  
 Fax: +971 (0)4 8872687

**Australia, New Zealand**  
 Actuant Australia Ltd.  
 Block V Unit 3  
 Regents Park Estate  
 391 Park Road  
 Regents Park NSW 2143  
 (P.O. Box 261) Australia  
 Tel: +61 297 438 988  
 Fax: +61 297 438 648

**Brazil**  
 Power Packer do Brasil Ltda.  
 Rua dos Inocentes, 587  
 04764-050 - Sao Paulo (SP)  
 Tel: +55 11 5687 2211  
 Fax: +55 11 5686 5583  
**Toll Free in Brazil:**  
 Tel: 0800 891 5770  
 vendasbrasil@enerpac.com

**Canada**  
 Actuant Canada Corporation  
 6615 Ordan Drive, Unit 14-15  
 Mississauga, Ontario L5T 1X2  
 Tel: +1 905 564 5749  
 Fax: +1 905 564 0305  
**Toll Free:**  
 Tel: +1 800 268 4987  
 Fax: +1 800 461 2456  
**Technical Inquiries:**  
 techservices@enerpac.com

**China**  
 Actuant China Ltd.  
 1F, 269 Fute N. Road  
 Waigaoqiao Free Trade Zone  
 Pudong New District  
 Shanghai, 200 131 China  
 Tel: +86 21 5866 9099  
 Fax: +86 21 5866 7156

**Actuant China Ltd. (Beijing)**  
 709B Diyang Building  
 Xin No. 2  
 Dong San Huan North Rd.  
 Beijing City  
 100028 China  
 Tel: +86 10 845 36166  
 Fax: +86 10 845 36220

**Central and Eastern Europe, Greece**  
 ENERPAC GmbH  
 P.O. Box 300113  
 D-40401 Düsseldorf  
 Willstätterstrasse13  
 D-40549 Düsseldorf  
 Germany  
 Tel: +49 211 471 490  
 Fax: +49 211 471 49 28

**France, Switzerland francophone**  
 ACTUANT - ENERPAC  
 France S.A., ZA de Courtaboeuf  
 32, avenue de la Baltique  
 91140 Villebon / Yvette  
 France  
 Tel: +33 1 60 13 68 68  
 Fax: +33 1 69 20 37 50

**Germany, Austria and Switzerland**  
 ENERPAC GmbH  
 P.O. Box 300113  
 D-40401 Düsseldorf  
 Willstätterstrasse13  
 D-40549 Düsseldorf  
 Germany  
 Tel: +49 211 471 490  
 Fax: +49 211 471 49 28

**India**  
 ENERPAC Hydraulics  
 (India) Pvt. Ltd.  
 Office No. 9,10 & 11,  
 Plot No. 56, Monarch Plaza,  
 Sector 11, C.B.D. Belapur  
 Navi Mumbai 400614, India  
 Tel: +91 22 2756 6090  
 Tel: +91 22 2756 6091  
 Fax: +91 22 2756 6095

◆ e-mail: info@enerpac.com

**Italy**  
 ENERPAC S.p.A.  
 Via Canova 4  
 20094 Corsico (Milano)  
 Tel: +39 02 4861 111  
 Fax: +39 02 4860 1288

**Japan**  
 Applied Power Japan Ltd.  
 Besshochou 85-7  
 Saitama-shi, Kita-ku,  
 Saitama 331-0821  
 Japan  
 Tel: +81 48 662 4911  
 Fax: +81 48 662 4955

**Middle East, Turkey and Caspian Sea**  
 ENERPAC Middle East FZE  
 Office 423, JAFZA 15  
 P.O. Box 18004  
 Jebel Ali, Dubai  
 United Arab Emirates  
 Tel: +971 (0)4 8872686  
 Fax: +971 (0)4 8872687

**Russia and CIS (excl. Caspian Sea Countries)**  
 Actuant LLC  
 Admiral Makarov Street 8  
 125212 Moscow, Russia  
 Tel: +7-495-9809091  
 Fax: +7-495-9809092

**Singapore**  
 Actuant Asia Pte. Ltd.  
 37C, Benoi Road Pioneer Lot,  
 Singapore 627796  
 Tel: +65 68 63 0611  
 Fax: +65 64 84 5669  
**Toll Free:** +1800 363 7722  
**Technical Inquiries:**  
 techsupport@enerpac.com.sg

◆ internet: www.enerpac.com

**South Korea**  
 Actuant Korea Ltd.  
 3Ba 717,  
 Shihwa Industrial Complex  
 Jungwang-Dong, Shihung-Shi, Kyunggi-Do  
 Republic of Korea 429-450  
 Tel: +82 31 434 4506  
 Fax: +82 31 434 4507

**Spain and Portugal**  
 ENERPAC  
 Avda. Los Frailes, 40 – Nave C & D  
 Pol. Ind. Los Frailesancho De Arriba  
 (Madrid) Spain  
 Tel: +34 91 661 11 25  
 Fax: +34 91 661 47 89

**The Netherlands, Belgium, Luxembourg, Sweden, Denmark, Norway, Finland and Baltic States**  
 ENERPAC B.V.  
 Galvanistraat 115, 6716 AE Ede  
 P.O. Box 8097, 6710 AB Ede  
 The Netherlands  
 Tel: +31 318 535 911  
 Fax: +31 318 525 613  
 +31 318 535 848

**Technical Inquiries Europe:**  
 techsupport.europe@enerpac.com

**United Kingdom, Ireland**  
 Enerpac Ltd  
 Bentley Road South  
 Darlaston, West Midlands  
 WS10 8LQ, United Kingdom  
 Tel: +44 (0)121 50 50 787  
 Fax: +44 (0)121 50 50 799

**USA, Latin America and Caribbean**  
 ENERPAC  
 P.O. Box 3241  
 6100 N. Baker Road  
 Milwaukee, WI 53209 USA  
 Tel: +1 262 781 6600  
 Fax: +1 262 783 9562

**User inquiries:**  
 +1 800 433 2766  
**Inquiries/orders:**  
 +1 800 558 0530  
**Technical Inquiries:**  
 techservices@enerpac.com

**All Enerpac products are guaranteed against defects in workmanship and materials for as long as you own them. For your nearest authorized Enerpac Service Center, visit us at www.enerpac.com**