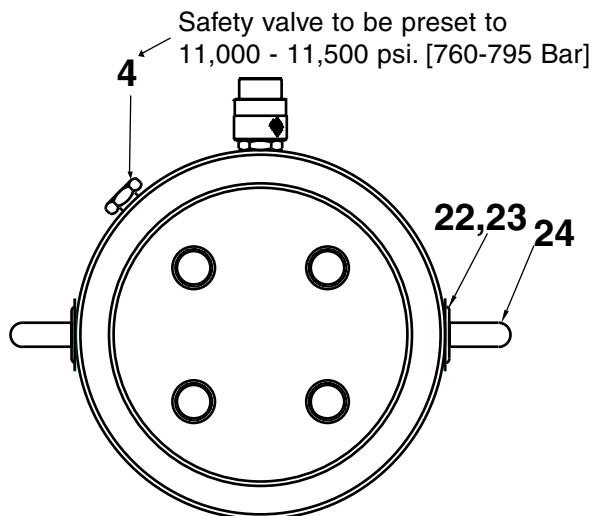


CAUTION: (S) indicates staked threads. Stake mark must be removed prior to disassembly. Failure to do so may result in damage to parts. Some cylinder stop rings are assembled with Loctite on threads. Enerpac suggests staking threads when reassembling.



TO PROTECT YOUR WARRANTY, USE ONLY ENERPAC HYDRAULIC OIL.

REPAIR PARTS LIST

Item No.	Part No.	Qty.	Description	Item No.	Part No.	Qty.	Description
1	*B1064503	1	O-Ring	11	M25044	1	Base Stop Ring
2	*B1083562	1	Back-Up Washer	12	*F947044	1	Wiper Ring
3	*CH948041	1	U-Cup	15	CA131044	1	Base Retain. Ring
4	CJ160900W	1	Relief Valve Ass'y	16	See table below.	1	Plunger
5	*B1447513	3	G-T Ring	17	See table below.	1	Cylinder
6	*B1439514	1	G-T Ring	19	CA139028	1	Plunger Screw
7	CR400	2	Female Coupler	20	CA127045	1	Saddle
8	M74044	1	Stop Ring Retain.	21	B1071028	2	Cap Screw
9	M65044	1	Stop Ring	22	DA7326108	2	Shim Washer
10	M45051	1	Piston	23	DA7327108	2	Washer
				24	DA7325242	2	Eye Bolt

* Indicates items included in and available only as part of Repair Kit RR300K.

Cylinder Model	Cylinder Assembly	Plunger Part No.
RR3006	CA1420306	CA1350406
RR30012	CA14203012	CA13504012
RR30018	CA14203018	CA13504018
RR30024	CA14203024	CA13504024
RR30036	CA14203036	CA13504036
RR30048	CA14203048	CA13504048

Australia

ENERPAC, Applied Power Australia Ltd.
Block V Unit 3,
Regents Park Estate,
391 Park Road
Regents Park NSW 2143
(P.O. Box 261) Australia
Tel: +61 297 438 988
Fax: +61 297 438 648

Brazil

Power Packer do
Brasil LTDA
Avenida Ferraz
Alvim nº 1012
(09961-550) - Diadema
São Paulo, Brazil
Tel: +55 11 4051 1188
Fax: +55 11 4051 3699

China

Shanghai Blackhawk
Machinery Co Ltd
15H Jinxuan Building
238 Nandan Road (E)
Shanghai, 200030, China
Tel: +86 21 6469 8732
Fax: +86 21 6469 8721

France, Greece, Turkey, Middle East, Africa

ENERPAC S.A.
B.P. 200, Parc d'Activités
du Moulin de Massy
F-91882 Massy CEDEX (Paris) France
Tel: +33 01 601 368 68
Fax: +33 01 692 037 50

Germany, Denmark, Scandinavia, Austria, Switzerland, Eastern Europe, CIS

ENERPAC
Applied Power GmbH
P.O. Box 300113
D-40401 Düsseldorf, Germany
Tel: +49 211 471 490
Fax: +49 211 471 49 28/40

Holland, Belgium, Luxembourg,

ENERPAC B.V.
Storkstraat 25
P.O. Box 269
3900 AG Veenendaal, Holland
Tel: +31 318 535 911
Fax: +31 318 535 848
+31 318 526 645

Hong Kong

ENERPAC
Room 907 Workingberg
Commercial Building
41-47 Marble Road,
North Point
Tel: +852-2561 6295
Fax: +852-2561 6772

India

ENERPAC
Hydraulic (India) Pvt Ltd
Plot No. A-571
MIDC, TTC Industrial Area
Mahape-400 701,
Navi Mumbai, India
Tel: +91 22 769 47 78
Fax: +91 22 769 84 73

Italy

ENERPAC Applied Power Italiana S.p.A.
Via Canova 4,
20094 Corsico (Milano)
Tel: +39 2 486 111 00
Fax: +39 2 486 012 88

Japan

Applied Power Japan Ltd.
10-17 Sasame Kita-Machi
Toda-Shi, Saitama #335, Japan
Tel: +81 048 421 2311
Fax: +81 048 421 8949

Malaysia

Applied Power Hytec (M) Sdn Bhd 22-1,
Jalan SS 15/8B
Subang Jaya, 47500
P.J. Selangor
West Malaysia
Tel: (0203) 73729 23/39/19
Fax: (0203) 737 29 18

Mexico

ENERPAC Applied Power Mexico S.A. de
C.V.
Avenida Principal,
La Paz #100
Fracc. Industrial La Paz
42084 Pachuca, Hidalgo
Tel: +52 771 337 00
Fax: +52 771 838 00

Singapore

Applied Power Asia Pte Ltd
47 Jalan Pemimpin,
#01-02 & 01-03
Sin Cheong Bldg
Singapore 577200
Thomson Road,
P.O. Box 114
Singapore 915704
Tel: +65 258 16 77
Fax: +65 258 28 47

South Korea

ENERPAC
Applied Power Korea Ltd.
163-12 Dodang-Dong, Choong-Ku,
Buchun-shi, Kyunggi-Do
Republic of Korea
Tel: +82 32 675 08 36
Fax: +82 32 675 30 02

Spain, Portugal

ENERPAC Applied Power International S.A.
A. Valgrande 14
Nave 12
28108 Alcobendas (Madrid), Spain
Tel: +34 91 661 11 25
Fax: +34 91 661 47 89

United Kingdom, Ireland

ENERPAC Limited
Unit 3 Colemeadow Road
North Moons Moat, Redditch
Worcester B98 9PB
United Kingdom
Tel: +44 01527 598 900
Fax: +44 01527 585 500

USA, Canada, Latin America and Caribbean

ENERPAC
6101 N. Baker Road
Milwaukee, WI 53209 USA
Tel: +1 414 781 66 00
Fax: +1 414 781 10 49

USA

User inquiries:
+1 800 433 2766
Distributor inquiries/orders:
+1 800 558 0530

Canada

User inquiries:
+1 800 426 4129
Distributor inquiries/orders:
+1 800 426 2284

Internet

www.enerpac.com

e-mail

info@enerpac.com

**All Enerpac products are guaranteed against defects in workmanship and materials for as long as you own them.
Under this guarantee, free repair or replacement will be made to your satisfaction.**

For your nearest authorized Enerpac Service Center, visit us at www.enerpac.com