

# SIMPLEX®

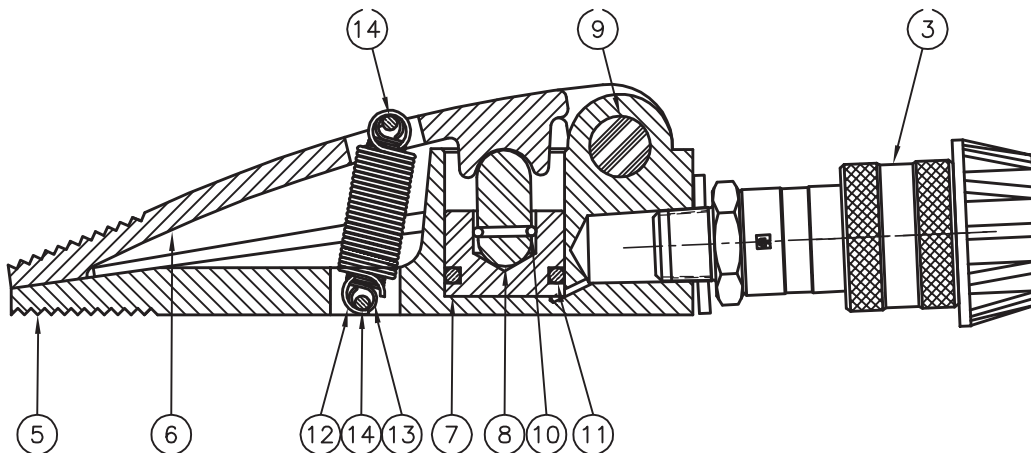
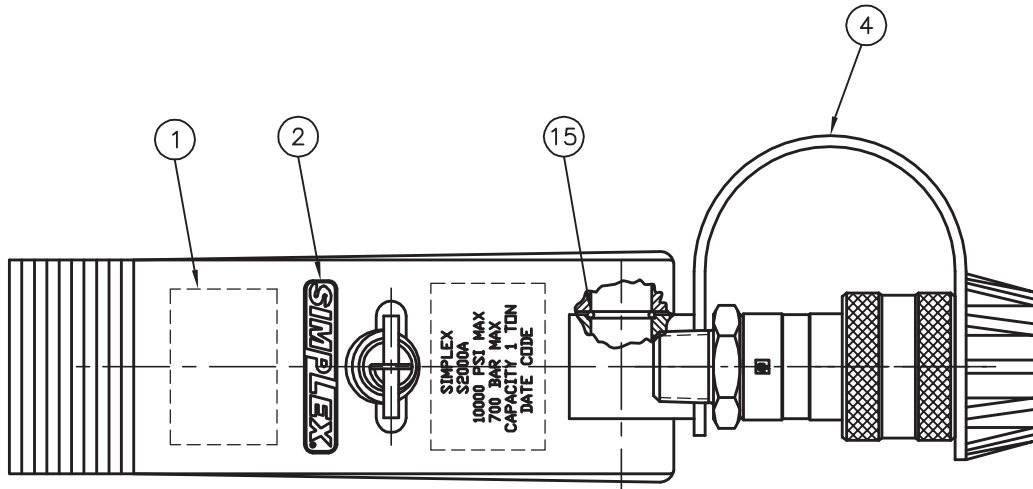
WWW.TKSIMPLEX.COM

TECHNICAL REPAIR PART SHEET

## S2000A

### 1 Ton Hydraulic Spreader

PART SHEET NUMBER	REVISION NUMBER/LETTER	DATE CODE RANGE	DOCUMENT DATE
TD124	B	S2000A D08 AND ABOVE	04/13



To maintain your warranty:  
Have your products inspected and repaired by an SIMPLEX Authorized Service Center.  
Visit [www.tksimplex.com](http://www.tksimplex.com) to locate the nearest one.



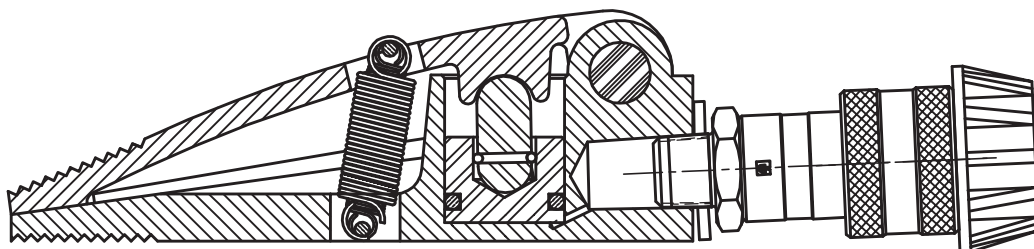


WWW.TKSIMPLEX.COM

TECHNICAL REPAIR PART SHEET

S2000A

1 Ton Hydraulic Spreader



Item #	Description	Part #	Qty.
1	Warning Label	87753	1
2	Simplex Logo	88188	1
3	Coupler	40858	1
4	Dust Cover	CR215	1
5	Base	60110071	1
6	Spoon	60110072	1
7	Plunger	6110073	1
8	Push Link	6110074	1
9	Pin	6110075	1
10	O-Ring	*	1
11	O-Ring	*	1
12	Spring	6110078	1
13	Spring	6110079	1
14	Spring Pin	*	2
15	Ring	*	2
	Packing Kit *=Components	54495	1



To maintain your warranty:  
Have your products inspected and repaired by an SIMPLEX Authorized Service Center.  
Visit [www.tksimplex.com](http://www.tksimplex.com) to locate the nearest one.

