

▼ Shown: S3000PX



## Setting New Standards in Safety, Simplicity and Performance

**Two Handle Styles**

Robust angled positioning handles come standard with every S-Series (X-Edition) tool. Straight positioning handles are available as accessories.

Compatible S-Series (X-Edition) wrenches	Angled positioning handles (standard)	Straight positioning handles (optional)
S1500X, S3000X	<b>SWH6A</b>	<b>SWH6S</b>
S6000X, S11000X	<b>SWH10A</b>	<b>SWH10S</b>
S25000X	Supplied with an eyebolt handle ( <b>SWH10EA</b> )	

### Safety and Performance

- Compact, high-strength uni-body construction provides a small operating radius without sacrificing endurance
- 35° rotation angle and rapid return stroke for fast operation
- Tough manifold design with added safety feature for enhanced operator safety

### Simplicity

- 360° click-on reaction arm with quick release lever provides easier handling, even when wearing gloves
- Includes robust handle which mounts on both sides of tool for extra maneuverability
- Push button square drive release for quickly reversing the square drive for tightening or loosening

### Versatility

- Available with optional enhanced tilt and swivel TSP300 manifold for horizontal and vertical maneuverability, with greater durability\*

### Accuracy

- Constant torque output provides accuracy of +/-3% across full stroke
- Optional Angle-of-Turn Indicator provides measurement of rotation

\* TSP300 is designed for X-Edition tools only, and is not compatible with standard edition tools. For replacement components for existing tools, refer to repair sheet on [www.enerpac.com](http://www.enerpac.com)

**TSP - Pro Series Swivel**

The optional TSP300 tilt and swivel manifold with robust interlocking design provides 360° X-axis rotation and 160° Y-axis rotation.

*Page:* **243**

**Calibration Certificate**

All X-Edition tools are CE-ATEX certified and are shipped complete with a calibration certificate.

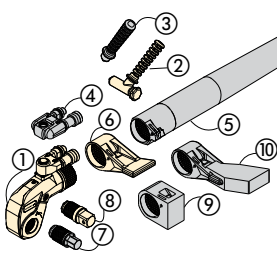
**Bolting Integrity Software**

Enerpac Bolting Integrity Software Solutions play a key role in implementing and managing an Integrity Program for bolted connections. The software offers Tool selection, Bolt Load calculations and Tool pressure settings, as well as, a combined Application Data Sheet and Joint Completion Report. Custom Joint information can also be entered.

*Page:* **416**

# Square Drive Hydraulic Torque Wrenches

Standard are ① ② ⑥ ⑧. Other items are optional.



- ① Drive Unit
- ② Angled Positioning Handle
- ③ Straight Positioning Handle
- ④ Pro Series Swivel
- ⑤ Reaction Tube Extension
- ⑥ Standard Reaction Arm
- ⑦ Allen® Drive
- ⑧ Square Drive
- ⑨ Short Reaction Arm
- ⑩ Extended Reaction Arm



## Select the Right Torque

Choose your Enerpac Torque Wrench using the untightening rule of thumb: Loosening torque equals about 250% of tightening torque.

## S Series (X-Edition)



Nominal Torque at 10,000 psi:

**26,150 Ft.lbs**

Square Drive Range:

**3/4 - 2 1/2 inches**

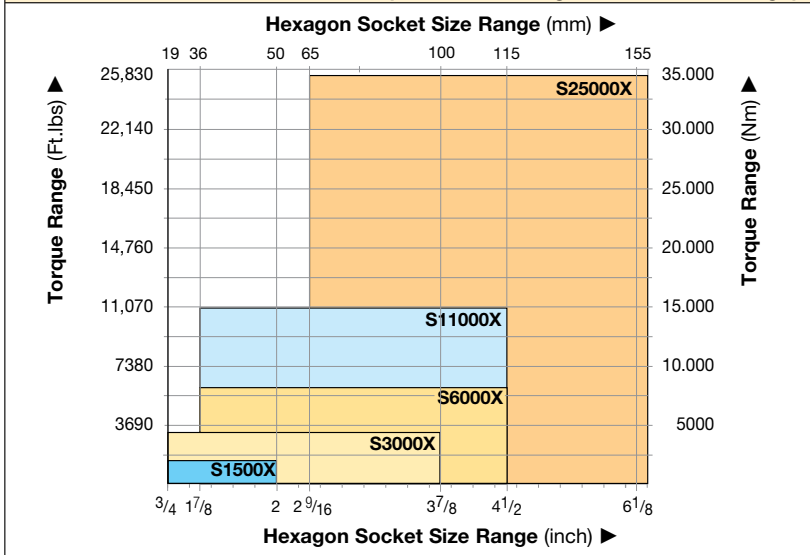
Nose Radius:


**0.98 - 2.52 inches**

Maximum Operating Pressure:

**10,000 psi**

### \*TORQUE WRENCH SELECTION (based on hexagon socket size range)

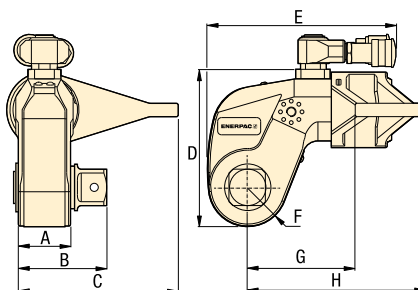




**Use only Heavy-Duty Impact Sockets**

For power-driven torquing equipment, according to ISO2725 and ISO1174; DIN 3129 and DIN 3121 or ASME-B107.2/1995.

**Page: 244**





**Back-Up Spanners**

Hands free tool to be used to stop back nut from turning during make up or break out.

**Page: 245**



**Safe T™ Torque Lock**

The Safe T™ Torque Lock is suitable for all bolted applications from 140 to 11,070 ft-lbs. using a heavy-duty impact socket.

The patented mechanical locking system creates a hands-free torque wrench solution suitable for Enerpac only square drive tools.

Suitable for S3000X, S6000X, and S11000X.

**Page: 246**

Nominal Torque at 10,000 psi / 690 bar		Minimum Torque at 1000 psi / 69 bar		Square Drive		Angle-of-Turn Model No. (optional)	Torque Wrench Model No.*	Dimensions (in)								Wt. (lbs)
				Size (in)	Model No. (included with wrench)			A	B	C	D	E	F	G	H	
(Ft.lbs)	(Nm)	(Ft.lbs)	(Nm)													
1440	1952	144	195	3/4"	SD15-012	AOT15	<b>S1500X</b>	1.54	2.56	4.25	3.82	5.35	0.98	2.76	5.08	7.0
3225	4373	323	438	1"	SD30-100	AOT30	<b>S3000X</b>	1.89	3.15	5.31	5.04	6.81	1.30	3.54	6.34	12.3
6150	8338	615	834	1 1/2"	SD60-108	AOT60	<b>S6000X</b>	2.17	3.62	6.65	6.18	7.56	1.57	4.33	7.40	20.2
11,175	15,151	1,118	1,515	1 1/2"	SD110-108	AOT110	<b>S11000X</b>	2.83	4.49	7.76	7.48	8.98	1.95	5.24	9.02	34.7
26,150	35,455	2,615	3,545	2 1/2"	SD250-208	AOT250	<b>S25000X</b>	3.50	5.63	9.69	9.61	11.30	2.52	7.17	11.61	70.8

\* To order a S-series (X-Edition) wrench fitted with the TSP swivel, insert a "P" prior to the "X" in the tool designation. e.g., **S1500PX**.

Nominal Torque at 10,000 psi:

**26,150 ft.lbs.**

Hexagon Size Allen® Drive:

**1/2 - 2 1/4 in. (14-85 mm)**

For  
**S**  
Series  
(X-Edition)



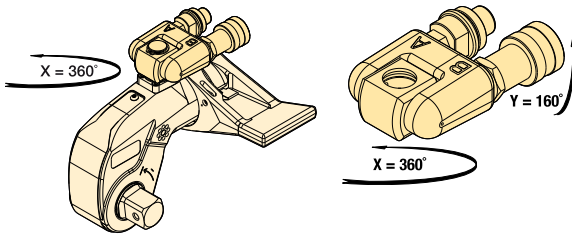
TORQUE WRENCH	OPTIONAL ALLEN® DRIVES, IMPERIAL				OPTIONAL ALLEN® DRIVES, METRIC				SHORT REACTION ARM FOR ALLEN® DRIVES		
	Model Number	Hexagon Size (in)	Maximum Torque (ft.lbs)	Model Number	Dim. B1 (in)	Hexagon Size (mm)	Maximum Torque (ft.lbs)	Model Number	Dim. B1 (in)	Model Number	Dimensions (in) C1   H1
 S1500X (1440 Ft-lbs)	1/2	355	SDA15008	2.6	14	475	SDA1514	2.60	SRA15X	2.66	2.56
	5/8	690	SDA15010	2.6	17	850	SDA1517	2.68			
	3/4	1195	SDA15012	2.8	19	1185	SDA1519	2.76			
	7/8	1400	SDA15014	2.9	22	1400	SDA1522	2.87			
	1	1400	SDA15100	3.0	24	1400	SDA1524	2.91			
 S3000X (3225 Ft-lbs)	5/8	690	SDA30010	3.0	17	850	SDA3017	3.03	SRA30X	3.15	2.91
	3/4	1195	SDA30012	3.1	19	1185	SDA3019	3.11			
	7/8	1895	SDA30014	3.3	22	1835	SDA3022	3.23			
	1	2825	SDA30100	3.4	24	2385	SDA3024	3.31			
	1 1/8	3200	SDA30102	3.5	27	3200	SDA3027	3.35			
	1 1/4	3200	SDA30104	3.5	30	3200	SDA3030	3.43			
	-	-	-	-	32	3200	SDA3032	3.46			
 S6000X (6050 Ft-lbs)	5/8	690	SDA60010	3.3	17	850	SDA6017	3.39	SRA60X	3.60	3.50
	3/4	1195	SDA60012	3.5	19	1185	SDA6019	3.46			
	7/8	1895	SDA60014	3.6	22	1835	SDA6022	3.58			
	1	2825	SDA60100	3.7	24	2385	SDA6024	3.66			
	1 1/8	4025	SDA60102	3.8	27	3395	SDA6027	3.70			
	1 1/4	5520	SDA60104	3.9	30	4655	SDA6030	3.78			
	-	-	-	-	32	5650	SDA6032	3.82			
 S11000X (11,175 Ft-lbs)	1 1/4	5520	SDA110104	4.5	30	4655	SDA11030	4.41	SRA110X	5.02	4.17
	1 3/8	7345	SDA110106	4.6	32	5650	SDA11032	4.49			
	1 1/2	9535	SDA110108	4.6	36	8040	SDA11036	4.61			
	1 5/8	11,000	SDA110110	4.8	41	11,000	SDA11041	4.76			
	1 3/4	11,000	SDA110112	4.9	46	11,000	SDA11046	5.00			
 S25000X (26,150 Ft-lbs)	1 1/2	9535	SDA250108	5.5	36	8040	SDA25036	5.51	SRA250X	6.24	5.31
	1 5/8	12,120	SDA250110	5.7	41	11,880	SDA25041	5.67			
	1 3/4	15,135	SDA250112	5.8	46	16,775	SDA25046	5.83			
	1 7/8	18,620	SDA250114	5.9	50	21,545	SDA25050	5.94			
	2	22,595	SDA250200	5.9	55	26,150	SDA25055	6.06			
	2 1/4	26,150	SDA250204	6.0	60	26,150	SDA25060	6.22			
	-	-	-	-	65	26,150	SDA25065	6.34			
	-	-	-	-	70	26,150	SDA25070	6.46			
	-	-	-	-	75	26,150	SDA25075	6.61			
	-	-	-	-	85	26,150	SDA25085	6.89			

# Accessories for S-Series, X-Edition Torque Wrenches

## TSP-Series, Pro Series Swivels

- Robust interlocking design
- 360° X-axis and 160° Y-axis rotation
- Increases tool fit in restricted access areas
- Simplifies hose placement
- Includes male and female couplers

**TSP  
RTEX  
SRSX  
Series**



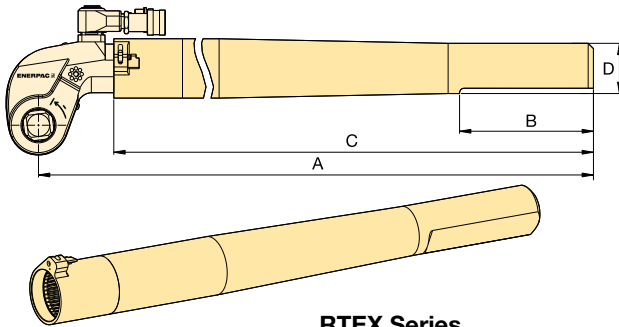
TSP Series

Torque Wrench Model Number	Model Number	Maximum Pressure (psi)	Wt. (lbs)
S1500X, S3000X, S6000X, S11000X, S25000X	TSP300*	10,000	0.44

Note: To order a S-series (X-Edition) wrench fitted with the TSP swivel, insert a "P" prior to the "X" in the tool designation, e.g., **S1500PX**.

\* TSP300 is designed for X-Edition tools only, and is not compatible with standard edition tools. For replacement components for existing tools, refer to repair sheet on [www.enerpac.com](http://www.enerpac.com)

## RTEX-Series, Reaction Tube Extensions



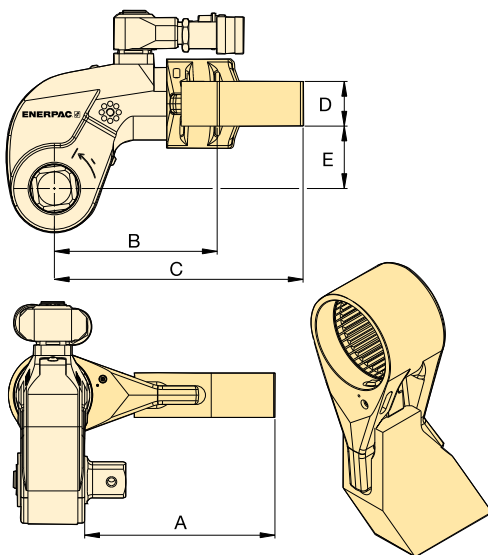
RTEX Series

- Full torque rated
- Increases tool fit in restricted access areas

Torque Wrench Model Number	Model Number	Dimensions (in)				Wt. (lbs)*
		A	B	C	D	
S1500X	RTE15X	27.80	5.98	25.04	2.28	10.1
S3000X	RTE30X	28.86	5.98	25.47	2.24	12.1
S6000X	RTE60X	29.41	5.98	25.94	2.56	17.0
S11000X	RTE110X	30.28	5.98	26.57	2.99	24.7
S25000X	RTE250X	32.01	5.98	26.97	3.94	38.1

\* Weights indicated are for the accessories only and do not include the wrench.

## SRSX-Series, Extended Reaction Arms



SRSX Series

- Lightweight interchangeable design

Wrench Model	Max. Torque (Ft-lbs)	Model Number	Dimensions (in)					Wt. (lbs)*
			A	B	C	D	E	
S1500X	1328	SRS151X	3.70	3.39	5.00	0.94	1.34	1.8
	1210	SRS152X	4.69	3.82	5.43	0.94	1.34	2.2
	1131	SRS153X	5.71	4.29	5.83	0.94	1.34	2.6
S3000X	2890	SRS301X	4.37	4.17	6.61	1.34	1.89	3.5
	2739	SRS302X	5.39	4.61	7.17	1.34	1.89	4.4
	2638	SRS303X	6.38	5.20	7.80	1.34	1.89	5.5
S6000X	5784	SRS601X	5.43	5.04	7.56	1.54	2.44	5.1
	5501	SRS602X	6.42	5.67	8.15	1.54	2.44	6.0
	5295	SRS603X	7.44	6.26	8.74	1.54	2.44	7.5
S11000X	10,812	SRS1101X	5.87	6.18	9.13	1.81	2.99	9.7
	10,300	SRS1102X	6.89	6.77	9.72	1.81	2.99	11.2
	9883	SRS1103X	7.87	7.36	10.28	1.81	2.99	12.8
S25000X	24,751	SRS2501X	7.20	8.23	11.61	1.97	3.94	16.8
	23,652	SRS2502X	8.19	8.74	12.20	1.97	3.94	18.5
	22,694	SRS2503X	9.17	9.29	12.83	1.97	3.94	22.0

\* Weights indicated are for the accessories only and do not include the wrench.