

▼ Shown: STB101H



Quick, Safe and Wrinkle-free Bending

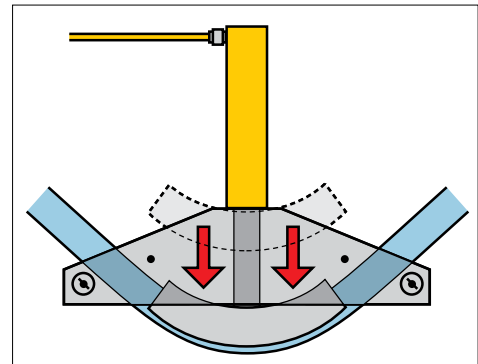


'One Shot' and 'Sweep'

One shot shoes give up to a 90° bend without resetting.

Sweep shoes are used where increased radii are required for multiple parallel pipe installations.

- Makes smooth, wrinkle-free bends
- Sets include cylinder, hose and manual, air or electric pump
- Sets are also available without hydraulics
- Bending shoes and bending frame are lightweight, heat-treated aluminum
- All sets include sturdy steel storage case
- All sets include BZ12091 angle indicator for accurate bending
- BZ12377 Shoe Lock Pin included in every set
- Eject-O-Matic™ benders (STB202 models) use a double-acting cylinder to eject pipe from the bending shoe



▲ Typical one shot bending operation.

▼ SELECTION CHART

Pipe Range		Set Model Number	Hand Pump*	Air Pump*	Electric Pump*	Cylinder*	Hose*	Steel Case*	Saddle	Weight (includes steel case)
One Shot	Sweep									
½ - 2	-	STB101X	-	-	-	-	-	CM4	A12	88
		STB101N	-	-	-	RC1010	HC7206	CM4	A12	105
		STB101H	P392	-	-	RC1010	HC7206	CM4	A12	114
		STB101A	-	PATG1102N	-	RC1010	HC7206	CM4	A12	119
		STB101B	-	-	PUJ1200B ²⁾	RC1010	HC7206	CM4	A12	127
1 - 2	2½ - 4	STB221X	-	-	-	-	-	CM7	A29	229
		STB221N	-	-	-	RC2510	HC7206	CM7	A29	263
		STB221H	P80	-	-	RC2510	HC7206	CM7	A29	286
1¼ - 4	-	STB202X ¹⁾	-	-	-	-	-	CM7	A29	316
		STB202N ¹⁾	-	-	-	RR3014	HC7206 (2x)	CM7	A29	383
		STB202B ¹⁾	-	-	ZU4408SB ²⁾	RR3014	HC7206 (2x)	CM7	A29	467

* See corresponding sections of this catalog for more detailed specifications.

¹⁾ Eject-O-Matic™ ²⁾ For 230 volt applications change the last digit of Set Model Number from "B" to "E".

Pipe Bender Sets

Nominal pipe size (outside dia.) (in)	Wall Thickness (in)	Schedule Pipe *	Pipe Bend Inside Radius (in)	STB101	STB221	STB202	One Shot Bending Shoe Model Number	Sweep Bending Shoe Model Number
				1/2 - 2 One Shot	1-2 One Shot	2 1/2 - 4 Sweep		
1/2 (0.840)	0.109	40	2 7/8	Yes	-	-	BZ12011	-
	0.147	80		Yes	-	-		
	0.187	160		WS	-	-		
	0.294	DEH		WS	-	-		
3/4 (1.050)	0.113	40	4	Yes	-	-	BZ12021	-
	0.154	80		Yes	-	-		
	0.218	160		WS	-	-		
	0.308	DEH		WS	-	-		
1 (1.315)	0.133	40	5 1/8	Yes	Yes	-	BZ12031	-
	0.179	80		Yes	Yes	-		
	0.250	160		WS	WS	-		
	0.358	DEH		-	WS	-		
1 1/4 (1.660)	0.140	40	6 7/8	Yes	Yes	Yes	BZ12041	-
	0.191	80		Yes	Yes	Yes		
	0.250	160		WS	WS	Yes		
	0.342	DEH		-	WS	WS		
1 1/2 (1.900)	0.145	40	7 5/8	Yes	Yes	Yes	BZ12051	-
	0.200	80		Yes	Yes	Yes		
	0.281	160		WS	WS	Yes		
	0.400	DEH		-	WS	WS		
2 (2.375)	0.154	40	8 5/8	Yes	Yes	Yes	BZ12061	-
	0.218	80		-	Yes	Yes		
	0.343	160		-	WS	Yes		
2 1/2 (2.875)	0.203	40	9 1/2	-	Yes	Yes	BZ12341	BZ12382
	0.276	80		-	WS	Yes		
	0.375	160		-	WS	Yes		
3 (3.500)	0.216	40	11 1/4	-	Yes	Yes	BZ12351	BZ12383
	0.300	80		-	WS	Yes		
3 1/2 (4.000)	0.226	40	15 1/2	-	Yes	Yes	BZ12391	BZ12384
	0.318	80		-	WS	Yes		
4 (4.500)	0.237	40	17 3/4	-	Yes	Yes	BZ12392	BZ12385
	0.337	80		-	-	Yes		

STB Series



Nominal Pipe Size:

0.5 - 4 inches

Maximum Bend Angle:

90°

Maximum Operating Pressure:

10,000 psi



* Schedule Pipe

All bender sets are designed to bend mild steel pipe. For other material please consult Enerpac.

- 40** = Standard;
- 80** = Extra Heavy;
- 160** = Double Extra Heavy;
- DEH** = Double Extra Heavy (slightly thicker than 160);
- WS** = Can be bent by using wider spacing for swivel shoes.

Frame Assembly	Pivot Pin**	Pivot Shoes**	One Shot or Sweep ³⁾ Bending Shoes included									Set Model Number	
			STB101	STB221	STB202	One Shot	Sweep	One Shot	One Shot	Sweep	One Shot		
BZ12371	BZ12375	BZ12071	BZ12011	BZ12021	BZ12031	BZ12041	BZ12051	BZ12061	-	-	STB101X		
												STB101N	
													STB101H
													STB101A
													STB101B
BZ12372	BZ12376	BZ13401	BZ12031	BZ12041	BZ12051	BZ12061	BZ12382 ³⁾	BZ12383 ³⁾	BZ12384 ³⁾	BZ12385 ³⁾	STB221X		
											STB221N		
												STB221H	
BZ12374	BZ12376	BZ13401	-	BZ12041	BZ12051	BZ12061	BZ12341	BZ12351	BZ12391	BZ12392	STB202X ¹⁾		
											STB202N ¹⁾		
												STB202B ¹⁾	

³⁾ Shoes are Sweep, all other shoes are One Shot.

** Sets include two pivot pins and two pivot shoes.