

L2058 Rev. C 03/12

<b>Index:</b>	
English.....	1-9
Deutsch.....	14-20
Français.....	21-27
Español.....	28-34
Italiano.....	35-41
Nederlands.....	42-48

Repair Parts Sheets for this product are available from the Enerpac web site at [www.enerpac.com](http://www.enerpac.com), or from your nearest Authorized Enerpac Service Center or Enerpac Sales office.

### 1.0 IMPORTANT RECEIVING INSTRUCTIONS

Visually inspect all components for shipping damage. Shipping damage is not covered by warranty. If shipping damage is found, notify carrier at once. The carrier is responsible for all repair and replacement costs resulting from damage in shipment.

#### SAFETY FIRST

### 2.0 SAFETY ISSUES



Read all instructions, warnings and cautions carefully. Follow all safety precautions to avoid personal injury or property damage during system operation. Enerpac cannot be responsible for damage or injury resulting from unsafe product use, lack of maintenance or incorrect product and/or system operation. Contact Enerpac when in doubt as to the safety precautions and operations. If you have never been trained on high-pressure hydraulic safety, consult your distribution or service center for a free Enerpac Hydraulic safety course.

Failure to comply with the following cautions and warnings could cause equipment damage and personal injury.

A **CAUTION** is used to indicate correct operating or maintenance procedures and practices to prevent damage to, or destruction of equipment or other property.

A **WARNING** indicates a potential danger that requires correct procedures or practices to avoid personal injury.

A **DANGER** is only used when your action or lack of action may cause serious injury or even death.



**WARNING:** Wear proper personal protective gear when operating hydraulic equipment.



**WARNING: Stay clear of loads supported by hydraulics.** A cylinder, when used as a load lifting device, should

never be used as a load holding device. After the load has been raised or lowered, it must always be blocked mechanically.



**DANGER:** To avoid personal injury keep hands and feet away from cylinder and workpiece during operation.



**WARNING:** Do not exceed equipment ratings. Never attempt to lift a load weighing more than the capacity of the cylinder. Overloading causes equipment failure and possible personal injury. The cylinders are designed for a max. pressure of 350 bar [5,000 psi]. Do not connect a jack or cylinder to a pump with a higher pressure rating.



**DANGER: Never** set the relief valve to a higher pressure than the maximum rated pressure of the pump. Higher settings may result in equipment damage and/or personal injury. Do not remove relief valve.



**WARNING:** The system operating pressure must not exceed the pressure rating of the lowest rated component in the system. Install pressure gauges in the system to monitor operating pressure. It is your window to what is happening in the system.



**CAUTION:** Avoid damaging hydraulic hose. Avoid sharp bends and kinks when routing hydraulic hoses. Using a bent or kinked hose will cause severe back-pressure. Sharp bends and kinks will internally damage the hose leading to premature hose failure.



**Do not** drop heavy objects on hose. A sharp impact may cause internal damage to hose wire strands. Applying pressure to a damaged hose may cause it to rupture.



**IMPORTANT:** Do not lift hydraulic equipment by the hoses or swivel couplers. Use the carrying handle or other means of safe transport.



**CAUTION: Keep hydraulic equipment away from flames and heat.** Excessive heat will soften packings and seals, resulting in fluid leaks. Heat also weakens hose materials and packings. For optimum performance do not expose equipment to temperatures of 65 °C [150 °F] or higher. Protect hoses and cylinders from weld spatter.



**DANGER: Do not handle pressurized hoses.** Escaping oil under pressure can penetrate the skin, causing serious injury. If oil is injected under the skin, see a doctor immediately.



**WARNING:** Only use hydraulic cylinders in a coupled system. Never use a cylinder with unconnected couplers. If the cylinder becomes extremely overloaded, components can fail catastrophically causing severe personal injury.



**IMPORTANT:** Hydraulic equipment must only be serviced by a qualified hydraulic technician. For repair service, contact the Authorized ENERPAC Service Center in your area. To protect your warranty, use only ENERPAC oil.

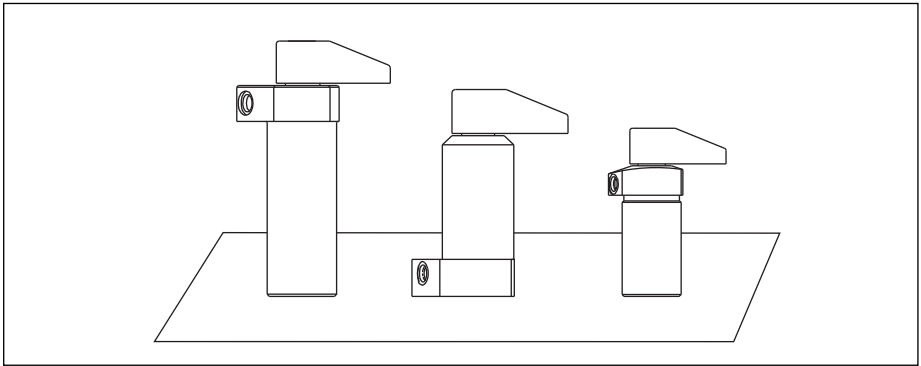


**WARNING:** Immediately replace worn or damaged parts by genuine ENERPAC parts. Standard grade parts will break causing personal injury and property damage. ENERPAC parts are designed to fit properly and withstand high loads.

### 3.0 DESCRIPTION

These swing cylinders are designed to swing 90° in a clockwise or counter-clockwise direction. They can also be used in straight clamping applications. Single-acting and double-acting swing cylinders are available.

Clamp arms are not supplied with cylinders. Clamp arms can be purchased separately or made according to the specifications on page 13.



Model Number Code						
1	2	3	4	5	6	Optional
S = swing cylinder	T = threaded body U = upper flange L = lower flange	R = right swing L = left swing S = straight (no swing)	S = single-acting D = double-acting	2 = 2,2 kN 5 = 5,6 kN	2 = metric	V = Viton

### 4.0 PRELIMINARY INFORMATION

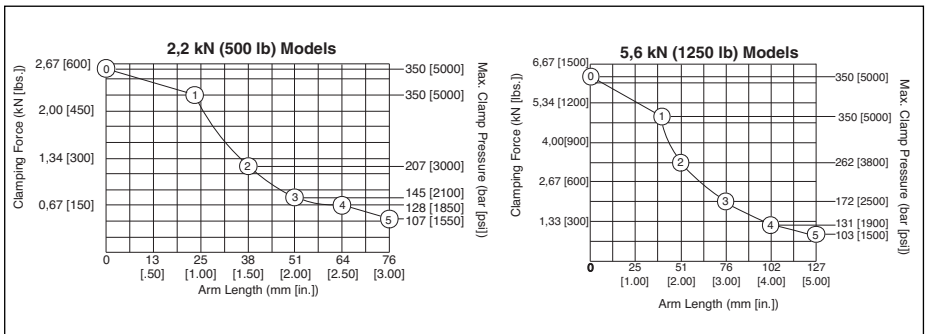
**IMPORTANT:** Failure to read and follow these instructions may lead to system malfunction or product failure, and could invalidate your warranty.

- (1) High flow rates can lead to excessive cylinder speed which can cause cylinder damage. Hydraulic pressure and cylinder speed must be adjusted to match the length of clamp arm. The clamping force also varies with the length of the clamp arm. Refer to page 2 for operating specifications.
- (2) Flow controls with return checks should be used to reduce swing cylinder speed to the recommended rate. The return checks help minimize back pressure that could lead to an unclamp malfunction on single-acting systems.
- (3) When using single-acting swing cylinders, limit the return flow back pressure to 3,5 bar (50 psi) maximum. Large diameter tubing (10 mm O.D. or larger) and flow controls with free flow return checks help minimize back pressure. Consult Enerpac for proper system design.
- (4) Excessive return flow back pressure can also damage double-acting swing cylinders. Limit the return flow back pressure to 42 bar (600 psi) maximum. Double-acting systems should be set up for a metered-in with reverse free flow in the clamp port.
- (5) Clamping of the part should occur at the midpoint of the vertical travel. No clamping of part shall occur while the swing clamp is turning. Clamp arm should freely travel during the 90° rotation (avoid contact with cutter heads, tools, etc.).
- (6) Attaching clamp arm to cylinder plunger must be done according to the instructions on page 6.

Cylinder Specifications			
Capacity [kN (lbs.)]		2,2 (500)	5,6 (1250)
Body Style		threaded body, lower flange, or upper flange mounting	
Cylinder Type		single-acting and double-acting	
Hydraulic Stroke [mm (in)]	clamp	8,1 (0.32)	9,9 (0.39)
	total	16,5 (0.65)	22,6 (0.89)
Effective Area [cm <sup>2</sup> (in <sup>2</sup> )]	clamp	1,22 (0.19)	1,81 (0.28)
	unclamp	1,55 (0.24)	3,81 (0.59)
Oil Capacity [cm <sup>3</sup> (in <sup>3</sup> )]	clamp	4,59 (0.28)	10,3 (0.63)
	unclamp	9,67 (0.59)	20,2 (1.23)

Operating Specifications — Maximum Flow Rate Chart						
Also see graphs below.						
2,2 kN (500 lb) — Maximum Clamp Arm Length is 76 mm (3")						
Arm Length [mm (in)]	25 (0.97) straight pull	38 (1.5) standard arm	51 (2.0) extended	64 (2.5) extended	76 (3.0) extended	extended
Max. Flow [cc/min (in <sup>3</sup> /min)]	197 (12)	197 (12)	98 (6)	98 (6)	98 (6)	98 (6)
Max. Pressure [bar (psi)]	350 (5000)	350 (5000)	207 (3000)	145 (2100)	128 (1850)	107 (1550)
Clamping Force [kN (lbs)]	2,6 (585)	2,2 (500)	1,2 (275)	0,8 (175)	0,7 (150)	0,5 (110)
5,6 kN (1250 lb) — Maximum Clamp Arm Length is 127 mm (5")						
Arm Length [mm (inches)]	straight pull	40 (1.58) standard arm	51 (2.0) extended	76 (3.0) extended	102 (4.0) extended	127 (5.0) extended
Max. Flow [cc/min (in <sup>3</sup> /min)]	410(25)	410 (25)	197 (12)	197 (12)	197 (12)	197 (12)
Max. Pressure [bar (psi)]	350 (5000)	350 (5000)	262 (3800)	172 (2500)	131 (1900)	103 (1500)
Clamping Force [kN (lbs)]	6,2 (1390)	5,0 (1100)	3,3 (750)	2,0 (450)	1,2 (275)	0,9 (200)

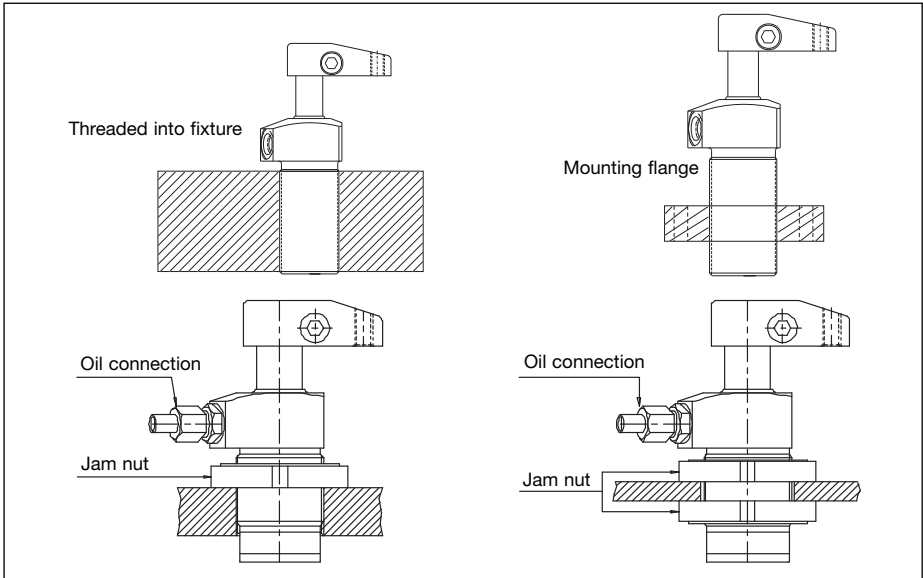
### Clamping Force vs Arm Length Graphs



## 5.0 MOUNTING SPECIFICATIONS

### 5.1 Mounting Threaded Body Cylinders

Threaded body cylinders can be threaded into a tapped hole, secured to the fixture using a mounting flange, threaded into the fixture and secured with a jam nut, or mounted through a clearance hole and secured with jam nuts. See illustrations below.



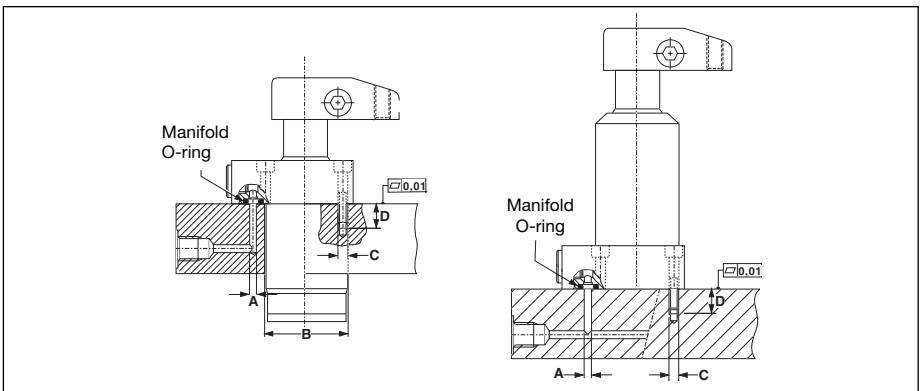
When a threaded body style swing cylinder is being installed in a fixture, the thread engagement should be no less than the thread engagement for the standard Enerpac mounting flange. If a cylinder is being mounted using just the lower portion of the threads, the engagement should be increased for additional support. See table below for minimum thread engagement.

Cylinder Capacity		Minimum Thread Engagement	
2,2 kN	500 lb	13 mm	.50"
5,6 kN	1250 lb	13 mm	.50"

### 5.2 Mounting Upper and Lower Flange Cylinders



**WARNING:** The fixture must be capable of withstanding 350 bar (5000 psi) hydraulic working pressure when the cylinders are manifold mounted.



Manifold Specifications						
Cylinder Capacity	Max. Oil Channel Diameter Ø A	Fixture Hole Diameter Ø B	Mounting Threads C	Minimum Thread Depth D	Lubricated Mounting Bolt Torque	Manifold O-Ring Dimensions I.D. x w
2,2 kN 500 lb	4 mm 0.156"	1.15 ± .03	M5	12 mm 0.473"	4,5-5,4 Nm 40-48 in-lbs	6,07 x 1,78 mm 0.239 x 0.070"
5,6 kN 1250 lb	4 mm 0.156"	1.42 ± .03	M6	15 mm 0.591"	12,2-14,9 Nm 9-11 ft-lbs	7,65 x 1,78 mm 0.301 x 0.070"

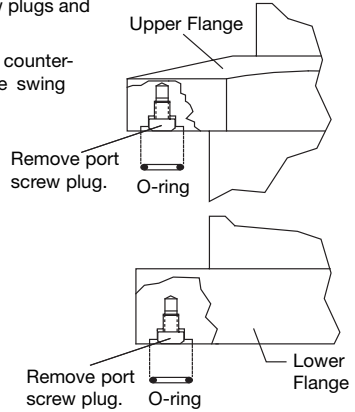
Before a swing cylinder can be manifold mounted, the port screw plugs and copper gaskets must be removed.

The o-rings provided should be lubricated and installed in the counter-bore around the port prior to mounting and bolting down the swing cylinder.

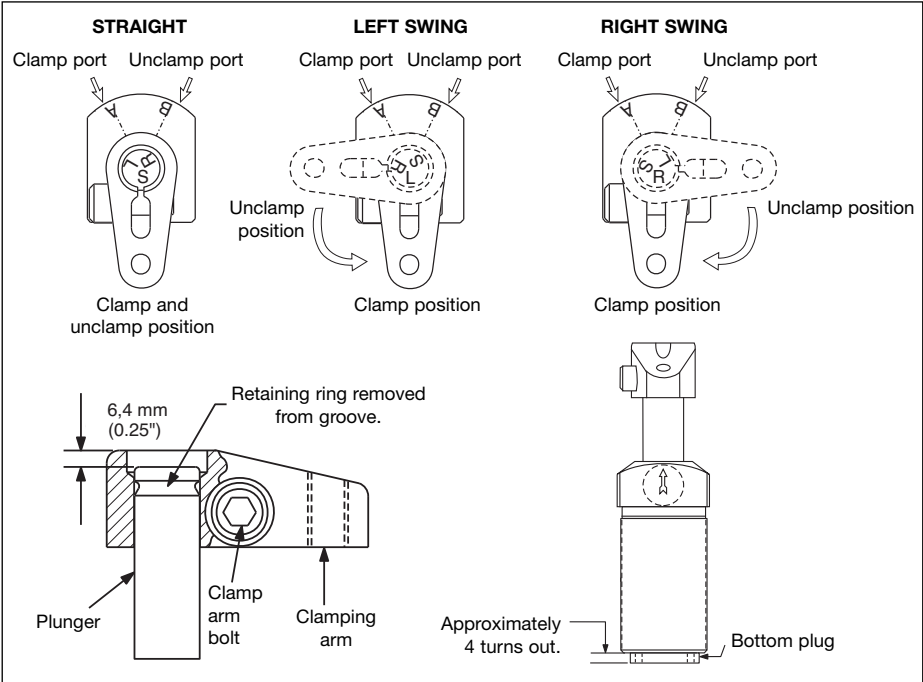
Be sure that the o-ring does not get pinched or damaged during mounting as leakage could result. To prevent leakage from the manifold mounting, provide a fixture mounting surface with flatness within 0,08 mm (0.003 in.) and a surface roughness not to exceed Ra 1,6.

## 6.0 INSTALLATION

These Swing Cylinders are designed so that you can set the position of the clamp arm after mounting the cylinder. If you need to change the rotation direction, do it before mounting the cylinder.



### 6.1 Changing Plunger Rotation (if needed)



Change plunger rotation by lining up the letter on top of the plunger with the arrow on the side of the cylinder opposite the ports. To change rotation, refer to illustrations and follow procedure below. You will need a spanner wrench.

1. Position the arm on the plunger to provide a handle to grasp for moving the plunger.
  - (a) Release the clamp arm bolt.
  - (b) Remove the retaining ring and slide the clamp arm down the plunger until the top of the arm is 6 mm (0.25") from the top surface of the plunger.
  - (c) Tighten the clamp arm bolt. DO NOT discard the retaining ring.
2. Place spanner wrench on bottom cylinder plug and turn the plug (facing you) counter-clockwise 4 turns.
 

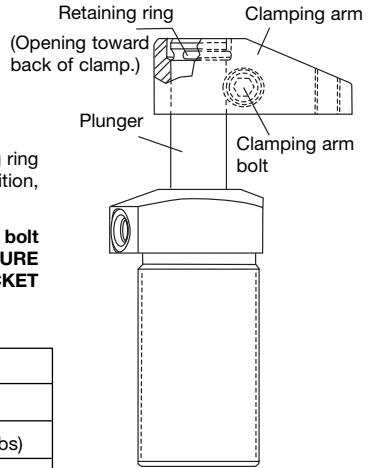
**NOTE:** Single-acting cylinders may need the bottom plug to be rotated more than 4 turns to help relieve return spring tension.
3. Push down on the plunger and rotate it to line up the desired letter (L, R, S) with the arrow on the side of the cylinder.
4. Once the letter and arrow are lined up, pull the plunger up, turn the bottom plug back in (clockwise) 4 turns, and tighten firmly.

## 6.2 Attaching Clamp Arm

1. Remove the retaining ring from the top of the plunger.
2. Slide the clamp arm down over the plunger and use a pliers to push the retaining ring back onto the plunger groove. Orient the retaining ring so the retaining ring gap will face the back of the clamp arm. See illustration.
3. Move the clamp arm up until it is firmly against the retaining ring and in the desired position. While maintaining this position, torque the clamp arm bolt to specification listed below.



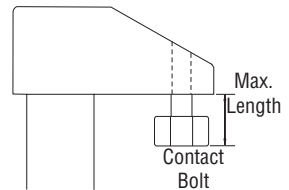
**CAUTION: Inadequate torquing of the clamp arm bolt could cause the arm to slip during operation. BE SURE TO USE QUALITY GRADE 8 (12.9 DIN 912) SOCKET HEAD CAP SCREWS (supplied with standard clamp arms).**



Clamp Arm Bolt Torque	
Cylinder Capacity	Lubricated Torque
2,2 kN (500 lbs)	16,3 to 20,3 Nm (12 to 15 ft-lbs)
5,6 kN (1250 lbs)	32,5 to 39,3 Nm (24 to 29 ft-lbs)

## 6.3 Arms for Upper Flange Body Style

To use the upper flange body style cylinders, you have to be sure that the contact bolt will clear the upper flange during operation. The clamp arm must be long enough for the contact bolt to clear the upper flange as the arm swings down. Clearance problems are most common when the final clamping position is at the side of the cylinder and the contact bolt must pass by the front or back of the upper flange as it swings down. You may need to use the longer, CAL Series clamp arm for these applications.



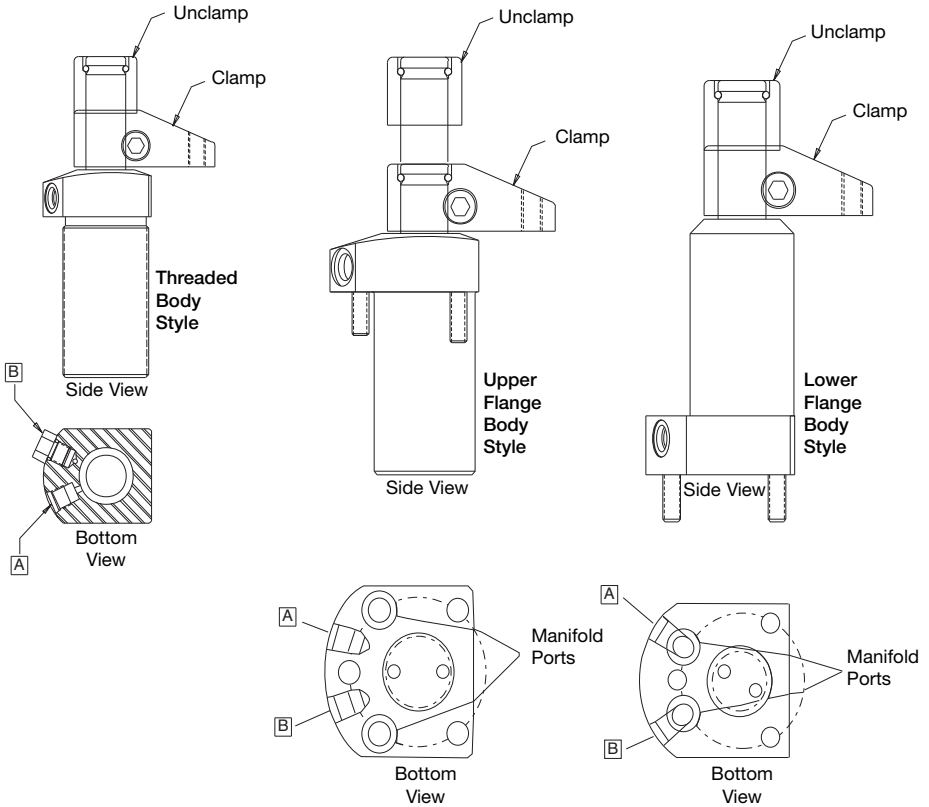
Maximum Contact Bolt Length	
Cylinder Capacity	Maximum Length
2,2 kN (500 lbs)	19,1 mm (0.75")
NOTE: Maximum length provided here is for 2,2 kN upper flange models only.	

## 6.4 Hydraulic Connections

To make port connections, install fittings rated for 350 bar (5000 psi). **DO NOT** use thread sealant. Sealing is accomplished by using an o-ring on the fitting boss. Lubricate the o-ring prior to assembly. When designing your hydraulic circuit, consider the factors listed in *PRELIMINARY INFORMATION* on page 2. For more information about plumbing hydraulic circuits, see your Enerpac Catalog.

Cylinder Ports			
Cylinder Capacity	350 bar BSPP Fitting	Cylinder Capacity	350 bar BSPP Fitting
2,2 kN (500 lbs)	G 1/8	5,6 kN (1250 lbs)	G 1/8

## 6.5 Port Identification



### KEY

- A Port:**  
Plunger rotates 90° and clamps
- B Port:**  
double-acting, plunger unclamps and rotates -90°  
single-acting, vent port
- Do not remove vent plug except to attach tubing. (See vent plug section.)

## 7.0 OPERATION

Swing cylinders rotate 90° during the first portion of the stroke, continuing without rotation for the final clamping stroke. The straight downward stroke is the clamping stroke of the cylinder. Clamping force must be applied only during the vertical travel, not during the swing motion.



### CAUTION:

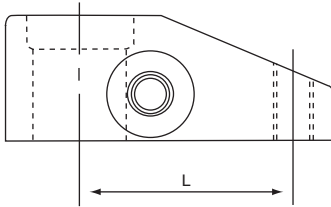
- If clamping force is applied during the rotation portion of the stroke, internal plunger damage will result.
- To ensure maximum cylinder performance and safety; be sure all hydraulic connections, hoses, and fittings are properly sealed and fully tightened.
- Be sure all items are rated to withstand system pressures. Under-rated components will not withstand higher pressure. Using under-rated components will lead to equipment damage and possible personal injury.

### 7.1 Vent Plug

Single-acting cylinders have a vented plug on the left side of the cylinder when you are facing the hydraulic ports. To prevent entry of chips and coolant, the vent plug must not be removed. If the vent plug is subjected to a continuous coolant flood condition, attach tubing to the port using a BSPP fitting, and run the tubing to a non-contaminated area of the fixture.

### 7.2 Pressure and Flow Rate

Clamp arm length (L) determines operating pressure setting and flow rate.



See *Operating Specifications — Maximum Flow Rate Chart* on page 2 for clamp arm length, pressure setting and flow rate. Set operating pressure and flow rate according to the limits established by the length of the clamp arm. Do not exceed the load-to-length pressure ratios. As the arm length increases, the clamping force and maximum operating pressure are reduced.



**CAUTION: It is very important that you use the correct pressure and flow settings. Operating outside these limits will cause damage to the swing cylinder. Damage caused by exceeding rated pressure and maximum flow is NOT COVERED BY WARRANTY.**

## 8.0 MAINTENANCE

Maintenance is required when wear or leakage is noticed. Occasionally inspect all components to detect any problem requiring service and maintenance. Enerpac offers ready-to-use Repair Parts Kits. Repair Parts Sheets are available with assembly drawing and parts list. Contact Enerpac.

**IMPORTANT:** Consult the Repair Parts Sheet for service information about correct assembly and disassembly. Incorrect maintenance and service such as wrong torque values may cause product malfunctions and/or personal injury.

## 9.0 TROUBLESHOOTING

The following information is intended to be used only as an aid in determining if a problem exists. For repair service, contact your Distributor or Authorized Enerpac Service Center.

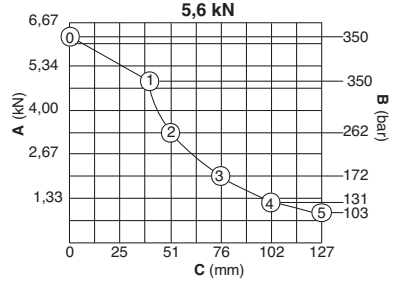
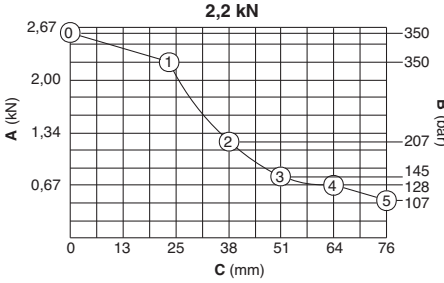


<b>Problem</b>	<b>Possible Cause</b>	<b>Solution</b>
1. Cylinder will not clamp/unclamp.	A. Pump release valve open B. No oil in pump reservoir C. Air in system D. Couplers not fully tightened E. Blocked hydraulic line F. Spring broken in cylinder	A. Close pump release valve B. Fill pump reservoir C. Remove air from hydraulic system D. Retighten couplers E. Check valves, fittings, and tubing F. Replace spring
2. Cylinder advances part way.	A. Oil level in pump too low B. Plunger binding normal.	A. Fill pump reservoir B. Replace damaged parts — refer to <i>Repair Parts Sheet</i>
3. Cylinder clamps/unclamps slower than normal	A. Leaking connection B. Restricted hydraulic line C. Pump malfunction	A. Retighten fittings, couplers, and tubing B. Check valves, fittings, and tubing C. Refer to pump <i>Instruction Sheet</i>
4. Cylinder clamps/unclamps but will not hold pressure.	A. Seals damaged B. Leaking connection C. Pump malfunction	A. Replace seals — refer to <i>Repair Parts Sheet</i> B. Retighten fittings, couplers, and tubing C. Refer to pump <i>Instruction Sheet</i>
5. Cylinder leaks oil.	A. Seals damaged B. Plunger worn or damaged	A. Replace seals — refer to <i>Repair Parts Sheet</i> B. Replace damaged parts — refer to <i>Repair Parts Sheet</i>
6. Clamp arm does not make swing movement.	A. Clamp arm loose B. Plunger damaged	A. Reposition and tighten clamp arm — see <i>Attaching Clamp Arm</i> B. Replace damaged parts — refer to <i>Repair Parts Sheet</i>

### **Clamp Arm Machining Specifications (page 13)**

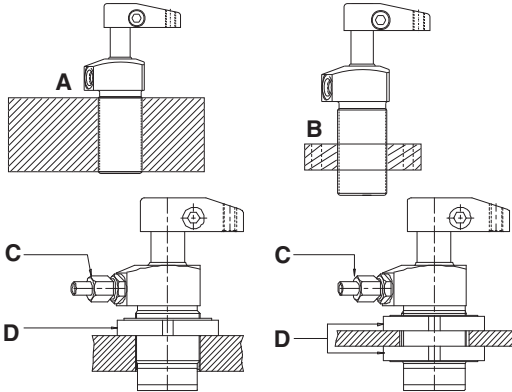
See *Pressure and Flow Rate* on page 8 to correctly measure the arm length. To determine the maximum clamping force for the arm, refer to *Operating Specifications — Maximum Flow Rate Chart* on page 3.

**Grafiken — Spannkraft im Verhältnis zur Spannarmlänge**  
**Diagrammes de force de bridage/longueur de bras**  
**Gráficas de fuerza de fijación vs. longitud del brazo**  
**Diagrammi della forza di serraggio in funzione della lunghezza del braccio**  
**Grafieken klemkracht -v- lengte arm**



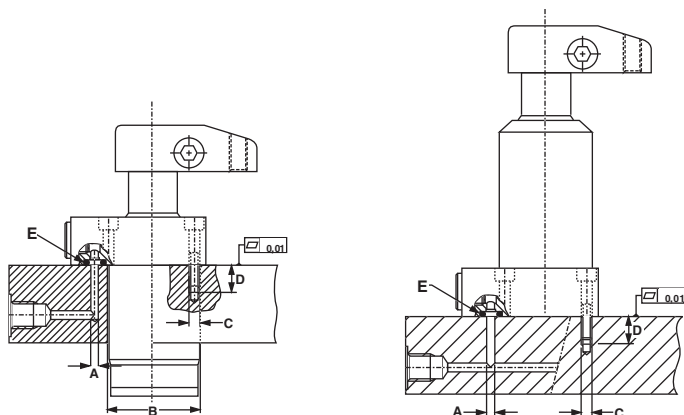
A	B	C
Spannkraft	Max. Spanndruck	Spannarmlänge
Force de bridage	Pression maxi. de bridage	Longueur du bras
Fuerza de fijación	Presión máx. de fijación	Longitud del brazo
Forza di serraggio	Pressione di serraggio max.	Lunghezza del braccio
Klemkracht	Max. klemdruk	Lengte arm

**Montage von Zylindern mit Außengewinde**  
**Montage des Vérins à Corps Fileté**  
**Montaje de Cilindros de Cuerpo Roscado**  
**Montaggio dei Cilindri a Corpo Filettato,**  
**Monteren van cilinders met Schroefdraadlichaam**



A	B	C	D
In die Vorrichtung geschraubt	Montageflansch	Ölanschluß	Gegenmutter (Gegenmuttern)
vérin vissé sur la machine	bride de fixation	raccord d'huile écrou de blocage	écrou de blocage (écrous de blocage)
atornillado en el aparato	brida de montaje	conexión de aceite	contratuerca (contratuercas)
avvitato nel supporto fisso	flangia di montaggio	raccordo del olio	controdado (controdadi)
in appendage geschroefd	montageflens	oileaansluiting	tegenmoer (tegenmoeren)

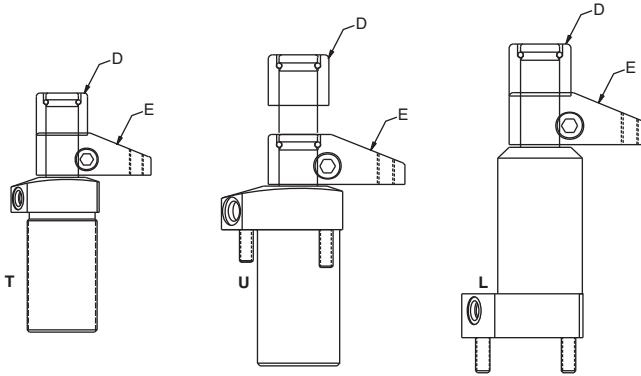
Montage von Kopf- und Fußflanschzylindern  
 Montage des Vérins Par Bride Supérieure ou Inférieure  
 Montaje de Cilindros Con Brida Superior y Brida Inferior  
 Montaggio dei Cilindri a Flangia Superiore ed Inferiore  
 Monteren van Onder- en Bovenflens van Cilinders



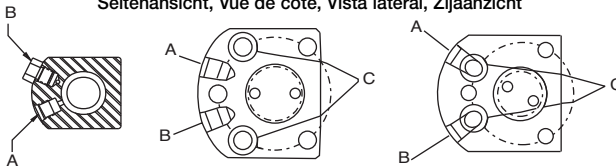
**Anschlußspezifikationen, Caractéristiques du bloc foré,  
 Especificaciones del colector, Specifiche del collettore, Specificaties verdeelstuk**

Zylinderkapazität	Max. Ölkanal-durchmesser	Durchmesser der Öffnung	Befestigungsgewinde	Mindest-Einschraubtiefe	Anzug-Drehmoment der Befestigungsschrauben (geschmirt)	O-Ring-Anschluß Innendurchmesser x B
Capacité du vérin	Diamètre maxi. du passage d'huile	Diamètre du trou de la machine	Filets de montage	Profondeur minimum	Couple de serrage du boulon de montage lubrifié	Dimensions du joint torique D.l. x l.
Capacidad del cilindro	Diámetro máx. de conducto de aceite	Diámetro de agujero en aparejo	Roscas de montaje	Profundidad mín. de rocas	Apriete de pernos de montaje lubricatos	Dimensiones de anillo "O" de colector D. l. x ancho
Forza sviluppata dal cilindro	Diametro max. condotto olio	Diametro foro supporto fisso	Filetti di montaggio	Profundità min. dei filetti	Coppia di montaggio bullone lubrificato	Dimensioni O-Ring collettore D.l. x s
Cilinder capaciteit	Max. diameter oliekanaal	Diameter gat appendage	Montageschroefdraad	Minimale Schroefdraad-diepte	Aandraai-moment gesmeerde montagebaut	Afmeting O-Ring verdeelstuk binnendiam. x b
	<b>Ø A</b>	<b>Ø B</b>	<b>C</b>	<b>D</b>		<b>E</b>
2,2 kN	4 mm	1,15 ± 0,03	M5	12 mm	4,5-5,4 Nm	6,07 x 1,78 mm
5,6 kN	4mm	1,42 ± 0,03	M6	12 mm	12,2-14,9 Nm	7,65 x 1,78 mm

**Anschlußbeschreibung**  
**Identification d'oriface**  
**Identificación de Lumberas**  
**Identificazione degli Attacchi**  
**Identificatie Poorten**



Seitenansicht, Vue de côté, Vista lateral, Zijaanzicht



Ansicht von unten, Vue de dessous, Vista inferior, Vista dal basso, Onderaanzicht

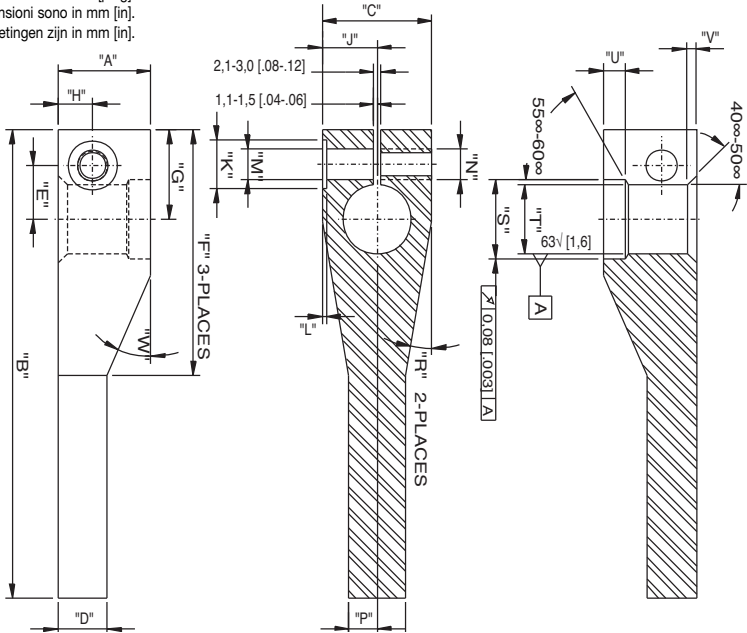
T	U	L	D	E
Zylinder mit Außengewinde	Zylinder mit Kopfflansch	Zylinder mit Fußflansch	Entspannen	Spannen
Corps fileté	Corps à bride supérieure	Corps à bride inférieure	Débridage	Bridage
Cuerpo roscado	Cuerpo con brida superior	Cuerpo con brida inferior	Soltado	Fijación
Corpo filettato	Corpo a flangia superiore	Corpo a flangia inferiore	Rilascio	Serraggio
Schroefdraadlichaam	Lichaam met bovenflens	Lichaam met onderflens	Afspannen	Klemmen

A	B	C
Anschluß A: Kolben schwenkt 90° und spannt	Anschluß B: doppelt wirkend — Kolben entspannt und schwenkt -90° einfach wirkend — Entlüftungsanschluß	Verteilerkopfanschlüsse
Orifice A: le piston pivote à 90°	Orifice B: double effet — le piston débride et pivote à -90° simple effet — Orifice d'aération	Orifices du bloc foré
Lumbera A: El émbolo gira 90° y se fija	Lumbera B: acción doble — El émbolo se suelta y gira -90° acción única — Lumbera de ventilación	Lumberas del colector
Attacco A: lo stantuffo ruota di 90° e serra.	Attacco B: a doppio effetto -- lo stantuffo rilascia e ruota di -90° ad effetto semplice -- attacco di sfiato	Attacchi del collettore
A Poort: plunjer draait 90° en klemt	B Poort: dubbelwerkend — plunjer spant af en draait -90° enkelwerkend — ontluhtingspoort	Poorten verdeelstuk

Den Entlüftungsstopfen nicht entfernen, es sei denn zum Anschließen von Rohren. (Siehe den Abschnitt *Entlüftungsstopfen*.  
 Ne pas retirer le bouchon à évent, sauf pour brancher la conduite. (Voir la section *bouchon à évent*.)  
 No saque el tapón ventilado salvo para conectar tubería en su lugar. (Vea la sección del tapón ventilado.)  
 Non rimuovete il tappo di sfiato, fuorché per il collegamento di tubi (vedere la sezione sul tappo di sfiato).  
 Verwijder de ontluhtingsstop alleen voor het bevestigen van slangen. (Zie het gedeelte *Ontluhtingsstop*.)

Clamp Arm Machining Specifications  
 Fertigungsmasse für Spannarme  
 Spécifications pour l'usinage des bras de bridage  
 Especificaciones de fabricacion del brazo de fijacion  
 Specifiche della lavorazione a macchina del braccio di serraggio  
 Bewerkingsspecificaties voor klemarm

Dimensions are in mm [in].  
 Abmessungen in mm [in].  
 Les dimensions sont en mm [po].  
 Las dimensiones se dan en mm [pulg].  
 Le dimensioni sono in mm [in].  
 Afmetingen zijn in mm [in].



	2,2 kN (500 lb)	5,6 kN (1250 lb)
"A"	16,5-15,8 (.65-.62)	19,5-18,8(.77-.74)
"B"	Max. 101,0-100,6 (3.98-3.96)	157,7-156,8 (6.21-6.17)
"C"	19,5-18,9 (.77-.74)	25,9-25,2 (1.02-.99)
"D"	10,6-10,0 (.42-.39)	11,9-11,3 (.47-.44)
"E"	9,2-9,6 (.36-.38)	12,8-13,2(.50-.52)
"F"		
<b>(3 Places, 3 Stellen, 3 emplacements, 3 puntos, 3 punti, 3 Plaatsen)</b>	49,7-48,8 (1.96-1.92)	70,8-69,9 (2.79-2.75)
"G"	18,1-18,7 (.71-.74)	22,1-22,8 (.87-.90)
"H"	8,7-9,1 (.34-.36)	11,2-11,6 (.44-.46)
"J"	9,4-10,1 (.37-.40)	12,5-12,9 (.49-.51)
"K" (Dia.,Durchm., diám., Diam.)	Ø10,2-10,6 (.40-.42)	Ø13,0-13,4 (.51-.53)
"L"	1,3-1,7 (.05-.07)	1,3-1,7 (.05-.07)
"M" (Dia.,Durchm., diám., Diam.)	Ø7,12-7,34 (.280-.289)	Ø8,69-8,91 (.342-.351)
"N" Thru (Durch, Traversant, Agujero N, passante, Doorloop)	M6 x 1 or .250-28 UNF-2b	M8 x 1,25 or M10 x 1,5 .3125-24 UNF-2B
"P"	5,4-5,8 (.21-.23)	6,9-7,3 (.27-.29)
"Q"	11,6-11,0 (.46-.43)	14,4-13,8 (.57-.54)
"R" (2 Places, 2 Stellen, 2 emplacements, 2 puntos, 2 punti, 2 Plaatsen)	7°-8°	6°-8°
"S" (Dia., Durchm., diám., Diam.)	11,82-11,91 (Ø.456-.469)	Ø18,47-18,56 (.727-.731)
"T" (Dia., Durchm., diám., Diam.)	9,998-10,012 (Ø.3932-.3942)	Ø15,990-16,014 (.6295-.6305)
"U"	3,0-3,5 (.12-.14)	4,1-4,5 (.16-.18)
"V"	0,5-1,0 (.02-.04)	0,5-1,0 (.02-.04)
"V"	13°-15°	11°-13°

L2058 Rev. C 03/12

Das Ersatzteilblatt für dieses Produkt finden Sie auf der Enerpac Website [www.enerpac.com](http://www.enerpac.com), oder bei Ihrem nächstgelegenen autorisierten Enerpac Service Center oder einem Enerpac Vertriebsbüro.

## 1.0 WICHTIGE VERFAHRENSHINWEISE FÜR DEN EMPFANG:

Alle Komponenten auf sichtbare Transportschäden inspizieren. Transportschäden sind **nicht** von der Garantie gedeckt. Werden solche Schäden festgestellt, ist unverzüglich das Transportunternehmen zu verständigen. Das Transportunternehmen ist für alle Reparatur- und Ersatzkosten, die auf Transportschäden zurückzuführen sind, verantwortlich.

### SICHERHEIT GEHT VOR

## 2.0 SICHERHEITSFRAGEN



Alle Anleitungen, Warnungen und Vorsichtshinweise sorgfältig durchlesen. Beachten Sie alle

Sicherheitsvorkehrungen, um Verletzungen oder Sachschäden während des Systembetriebs zu vermeiden. Enerpac ist weder für Schäden noch Verletzungen haftbar, die durch einen fahrlässigen Gebrauch des Produkts, mangelhafte Instandhaltung oder eine unvorschriftsmäßige Anwendung des Produkts und/oder des Systems verursacht werden. Bei evtl. Fragen in bezug auf Sicherheitsvorkehrungen und Betriebsabläufe wenden Sie sich bitte an ENERPAC. Wenn Sie an keinerlei Sicherheitsschulungen im Zusammenhang mit Hochdruckhydraulikanlagen teilgenommen haben, fordern Sie von Ihrer Vertriebs- und Kundendienstzentrale einen kostenlosen Enerpac-Hydraulik-Sicherheitskurs an.

Ein Mißachten der folgenden Vorsichtshinweise und Warnungen kann zu Geräteschäden und Verletzungen führen.

Mit einem **VORSICHTSHINWEIS** wird auf ordnungsgemäße Betriebs- oder Wartungsverfahren und -praktiken hingewiesen, um Schäden an den Geräten oder anderen Sachwerten bzw. deren Zerstörung zu vermeiden.

Eine **WARNUNG** verweist auf eine potentielle Verletzungsgefahr, die durch ordnungsgemäße Verfahren oder Praktiken vermieden werden kann.

Ein **GEFAHRENSHINWEIS** wird nur dann gegeben, wenn eine bestimmte Handlung oder die Unterlassung einer bestimmten Handlung schwere oder tödliche Verletzungen zur Folge haben kann.



**WARNUNG:** Beim Betrieb hydraulischer Anlagen geeignete Schutzkleidung und -ausrüstung tragen.



**WARNUNG: Von Lasten fernhalten, die durch ein Hydrauliksystem abgestützt werden.** Ein als Lastenhebegerät eingesetzter Zylinder darf niemals als ein Lastenhaltegerät verwendet werden. Nach Heben oder Senken der Last muß diese stets auf mechanische Weise gesichert werden.



**GEFAHR:** Zur Vermeidung von Verletzungen während des Betriebs Hände und Füße von Zylinder und Werkstück fernhalten.



**WARNUNG:** Die zugelassene Nennleistung der Geräte nicht überschreiten. Keine Last zu heben versuchen, deren Gewicht das Hebevermögen des Zylinders übersteigt. Überlastungen verursachen Maschinenausfälle und können zu Verletzungen führen. Die Zylinder wurden für einen max. Druck von 350 bar konstruiert. Keinen Heber oder Zylinder an eine Pumpe mit einer höheren nominalen Druckleistung anschließen.



**GEFAHRENSHINWEIS:** Das Überdruckventil keinesfalls auf einen höheren Druck als den maximal zulässigen Druck der Pumpe einstellen. Höhere Einstellungen können zu Geräteschäden und/oder Verletzungen führen. Nicht das Druckbegrenzungs-Ventil entfernen!



**WARNUNG:** Der Systembetriebsdruck darf den zulässigen Nominaldruck der Systemkomponente mit der niedrigsten Nennleistung nicht überschreiten. Zur Überwachung des Betriebsdrucks sind Manometer im System zu installieren. Dies ist das Fenster zu den Abläufen im System.



**VORSICHT: Beschädigungen am Hydraulikschlauch vermeiden.** Beim Verlegen der Hydraulikschläuche enge Bögen und Abknicken vermeiden. Der Einsatz eines gebogenen oder geknickten Schlauchs führt zu einem hohen Rückstau. Starke Biegungen und Knickstellen schädigen den Schlauch auf der Innenseite und führen zu dessen vorzeitigem Ausfall.



**Keine** schweren Gegenstände auf den Schlauch fallen lassen. Starke Erschütterungen können Schäden an den im Schlauchinnern verlaufenden Drahtlitzen verursachen. Ein Schlauch, auf den Druck ausgeübt wird, kann bersten.



**WICHTIG:** Hydraulische Geräte weder an den Schläuchen noch den Gelenkanschlüssen anheben. Dazu den Tragegriff oder eine andere sichere Transportmethode verwenden.



**VORSICHT: Hydraulische Geräte von Flammen und Hitzequellen fernhalten.** Zu hohe Temperaturen weichen Füllungen und Dichtungen auf und bewirken Flüssigkeitslecks. Große Hitze schwächt außerdem die Schlauchmaterialien und -dichtungen. Zur Gewährleistung einer optimalen Leistung darf die Anlage keinen Temperaturen über 65°C ausgesetzt werden. Außerdem müssen Schläuche und Zylinder beim Schweißen vor Funkenschlag geschützt werden.



**GEFAHR:** Nicht mit unter Druck stehenden Schläuchen hantieren. Unter Druck austretendes Öl kann in die Haut eindringen und schwere Verletzungen verursachen. Falls Öl unter die Haut gelangt, ist sofort ein Arzt aufzusuchen.



**WARNUNG: Hydraulikzylinder nur in einem gekoppelten System verwenden.** Niemals einen Zylinder mit unverbundenen Kupplungen verwenden. Bei einer extremen Überlastung des Zylinders können dessen Komponenten schlagartig bersten, was schwere Verletzungen hervorrufen kann.



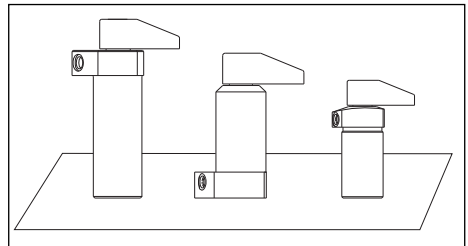
**IWICHTIG:** Hydraulische Geräte müssen von einem qualifizierten Hydrauliktechniker gewartet werden. Bei Reparaturarbeiten an die autorisierte ENERPAC-Kundendienstzentrale der jeweiligen Region wenden. Zur Aufrechterhaltung der Garantie nur ENERPAC-Öl verwenden.



**WARNUNG:** Abgenutzte oder beschädigte Teile unverzüglich durch ENERPAC-Originalteile ersetzen. Standardteile anderer Hersteller versagen und verursachen Verletzungen und Sachschäden. ENERPAC-Teile werden so konstruiert, daß sie richtig passen und hohen Lasten standhalten.

### 3.0 BESCHREIBUNG

Diese Schwenkspannzylinder schwenken um 90° im Uhrzeigersinn oder gegen den Uhrzeigersinn. Sie können auch linear geführt werden. Es sind einfach wirkende und doppelt wirkende Schwenkspannzylinder erhältlich. Die Spannarme sind nicht im Lieferumfang der Zylinder enthalten. Die Spannarme können einzeln gekauft oder gemäß den Spezifikationen auf Seite 13 gefertigt werden.



Modellnummercode						
1	2	3	4	5	6	Sonderzubehör
S = Schwenkspannzylinder	T = Zylinder mit Außengewinde U = Kopfflansch L = Fußflansch	R = rechts schwenkend L = links schwenkend S=gerade (nicht schwenkbar)	S = einfach wirkend D = doppelt wirkend	2 = 2,2 kN 5 = 5,6 kN	2 = metrisch	V = Viton

### TECHNISCHE DATEN

Zylinderspezifikationen			
<b>Kapazität [kN]</b>		<b>2,2</b>	
<b>Zylinderausführung</b>		Zylinder mit Außengewinde, Montage am Fußflansch oder Kopfflansch	
<b>Zylindertyp</b>		einfach wirkend und doppelt wirkend	
<b>Hydraulikhub [mm]</b>	<b>spannen</b>	8,1	9,9
	<b>gesamt</b>	16,5	22,6
<b>Arbeitsbereich [cm²]</b>	<b>spannen</b>	1,22	1,81
	<b>entspannen</b>	1,55	3,81
<b>Öffassungsvermögen [cm³]</b>	<b>spannen</b>	4,59	10,3
	<b>entspannen</b>	9,67	20,2

### Betriebsspezifikationen — Max. Durchflußratentabelle

Siehe auch die Grafiken: Spannkraft im Verhältnis zur Spannarmlänge auf Seite 10.

#### 2,2 kN — Die maximale Spannarmlänge beträgt 76 mm

Spannarmlänge [mm]	gerader Anzug	25 Standard-Spannarm	38 ausgefahren	51 ausgefahren	64 ausgefahren	76 ausgefahren
Max. Durchfluß [cc/min]	197	197	98	98	98	98
Max. Druck [bar]	350	350	207	145	128	107
Spannkraft [kN]	2,6	2,2	1,2	0,8	0,7	0,5

#### 5,6 kN — Die maximale Spannarmlänge beträgt 127 mm

Spannarmlänge [mm]	gerader Anzug	40 Standard-Spannarm	51 ausgefahren	76 ausgefahren	102 ausgefahren	127 ausgefahren
Max. Durchfluß [cc/min]	410	410	197	197	197	197
Max. Druck [bar]	350	350	262	172	131	103
Spannkraft [kN]	6,2	5,0	3,3	2,0	1,2	0,9

## 4.0 EINLEITENDE INFORMATIONEN

**WICHTIG:** Falls diese Anweisungen nicht gelesen und beachtet werden, können Systemstörungen oder Produktversagen die Folge sein, und die Garantie kann verfallen.

- (1) Zu hohe Durchflußraten können zu übermäßiger Zylindergergeschwindigkeit führen, die den Zylinder beschädigen kann. Hydraulikdruck und Zylindergergeschwindigkeit sind entsprechend der Spannarmlänge zu bestimmen. Die Spannkraft ist außerdem je nach Spannarmlänge unterschiedlich. Siehe hierzu die obigen Betriebsspezifikationen
- (2) Flußsteuerungen mit Rücklaufventilen sollten zur Verringerung der Schwenkzylindergergeschwindigkeit auf die empfohlene Geschwindigkeit benutzt werden. Die Rücklaufventile dienen zur Minimierung des Staudrucks, der zu einem Versagen bei der Entspannung auf einfach wirkenden Systemen führen kann.
- (3) Bei der Verwendung von einfach wirkenden Zylindern ist der Rücklauf-Staudruck auf maximal 3,5 bar zu begrenzen. Rohre mit großem Durchmesser (10 mm Außendurchmesser oder größer) und Durchflußsteuerungen mit Freifluß-Rücklaufventilen helfen den Staudruck zu verringern. Wenden Sie sich an Enerpac, um Informationen über entsprechende Systementwürfe zu erhalten.
- (4) Übermäßiger Rücklauf-Staudruck kann außerdem doppelt wirkende Schwenkarmzylinder beschädigen. Bei der Verwendung von doppelt wirkenden Zylindern ist der Rücklauf-Staudruck auf maximal 42 bar zu begrenzen. Doppelt wirkende Systeme sollten einen begrenzbaeren Ölfluß mit umgekehrtem Freifluß im Spannausgang aufweisen.
- (5) Das Einspannen des Objekts sollte am Mittelpunkt des vertikalen Arbeitshubs beginnen. Keine Objekte dürfen eingespannt werden, während sich die Schwenkklemme dreht. Der Spannarm muß sich während der 90° Drehung frei drehen (Kontakt mit Schneidspitzen, Werkzeugen usw. vermeiden).
- (6) Die Montage des Spannarms am Zylinderkolben muß entsprechend den Anweisungen auf Seite 18 erfolgen.

## 5.0 MONTAGESPEZIFIKATIONEN

### 5.1 Montage von Zylindern mit Außengewinde

Die Zylinder mit Außengewinde können in eine Gewindebohrung eingeschraubt, mit einem Flansch in der Vorrichtung eingebaut, in die Vorrichtung eingeschraubt und mit einer Gegenmutter befestigt oder durch eine Zugangsöffnung montiert und mit Gegenmuttern befestigt werden. Siehe die Abbildungen auf Seite 10.

Wenn ein Schwenkspannzylinder mit Außengewinde in einer Vorrichtung eingebaut wird, muß er genau so weit eingeschraubt werden wie im Enerpac Standardflansch. Wenn ein Zylinder nur an den untersten Gewindegängen eingeschraubt wird, sollte er tiefer eingeschraubt werden, um zusätzliche Haltekraft zu erzielen. Siehe die nachstehende Tabelle für die Mindest-Einschraubtiefe.

### 5.2 Montage von Kopf- und Fußflanschzylindern (Siehe Seite 11.)



**ACHTUNG:** Die Vorrichtung muß dem angewandten hydraulischen Arbeitsdruck von 350 bar standhalten, wenn die Zylinder an einem Verteilerkopf montiert sind.

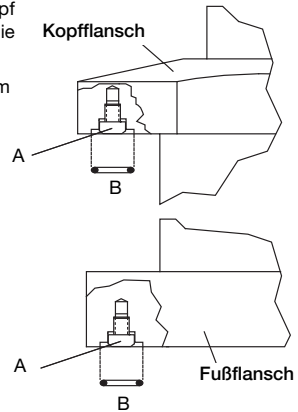


Zylinderkapazität	Mindest-Einschraubtiefe
2,2 kN	13 mm
5,6 kN	13 mm

Bevor Schwenkspannzylinder mit O-Ring an einem Verteilerkopf montiert werden können, müssen die Verschlußstopfen (A) und die Kupferdichtungen entfernt werden.

Die zur Verfügung gestellten O-Ringe (B) sollten gefettet und vor dem Montieren und Verschrauben des Schwenkspannzylinders in die Ansenkung um die Versorgungsbohrung eingelegt werden.

Stellen Sie sicher, daß der O-Ring während der Montage nicht zusammengedrückt oder beschädigt wird, da dies zu Leckagen führen kann. Um Leckagen durch die Anschlußmontage zu vermeiden, muß die Oberfläche im Auflagebereich des Zylinders eine Ebenheit von 0,08 mm sowie eine Oberflächenrauigkeit bis höchstens Ra 1,6 aufweisen.

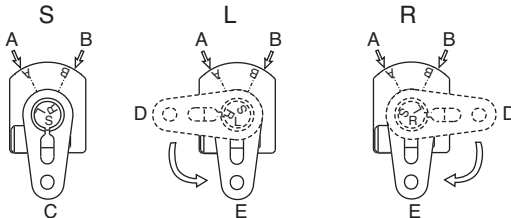


## 6.0 INSTALLATION

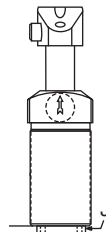
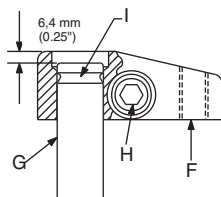
Diese Schwenkspannzylinder sind so konstruiert, daß die Stellung des Spannarms nach der Montage des Zylinders eingestellt werden kann. Wenn die Drehungsrichtung geändert werden muß, muß dies vor der Montage des Zylinders geschehen.

### 6.1 Ändern der Kolbendrehung (falls erforderlich)

Die Kolbendrehrichtung wird geändert, indem der Buchstabe auf der Kolbenoberseite mit dem Pfeil auf dem Zylinder auf der den Anschlüssen gegenüberliegenden Seite ausgerichtet wird. Die Abbildungen beachten und das angeführte Verfahren ausführen, um die Drehrichtung zu ändern. Es wird ein Schraubenschlüssel benötigt.



S		L	R	
Gerade		Linke Drehung	Rechte Drehung	
A	B	C	D	E
Spannungsanschluß	Entspannungsanschluß	Spannungs- und Entspannungsposition	Spannposition	Entspannungsposition



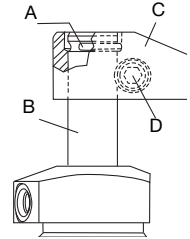
1. Bringen Sie den Arm (F) so auf dem Kolben (G) an, daß er als Griff zum Bewegen des Kolbens benutzt werden kann.
  - (a) Lösen Sie die Spannarmschraube (H).
  - (b) Entfernen Sie den Sicherungsring (I) und schieben Sie den Spannarm über den Kolben nach unten, bis die obere Kante des Spannarms 6 mm von der Kolbenoberseite entfernt ist.
  - (c) Ziehen Sie die Spannarmschraube (J) an. Werfen Sie den Sicherungsring NICHT weg.
2. Legen Sie einen Schraubenschlüssel an die Bodenschraube des Zylinders an und drehen Sie den Stopfen (zu Ihnen gerichtet) 4 Umdrehungen gegen den Uhrzeigersinn.

**HINWEIS:** Bei einfach wirkenden Zylindern muß die Bodenschraube unter Umständen mehr als 4 Umdrehungen gedreht werden, um den Federdruck der Rückpreßfeder zu entlasten.

3. Den Kolben nach unten drücken und ihn so drehen, bis der gewünschte Buchstaben (L, R, S; Links, Rechts, Gerade) mit dem Pfeil seitlich am Zylinder ausgerichtet ist.
4. Wenn der Buchstabe und der Pfeil ausgerichtet sind, ziehen Sie den Kolben nach oben, drehen Sie die Bodenschraube wieder (4 Umdrehungen) hinein und ziehen Sie sie fest an.

## 6.2 Befestigung des Spannarms

1. Entfernen Sie den Sicherungsring (A) vom oberen Teil des Kolbens (B).
2. Schieben Sie den Spannarm (C) über den Kolben nach unten und verwenden Sie eine Zange, um den Sicherungsring zurück in die Kolbennut zu drücken. Bringen Sie den Spannarm in Stellung und richten Sie den Sicherungsring so aus, daß dessen Öffnung am hinteren Teil des Spannarms liegt. Siehe die Abbildung.
3. Bewegen Sie den Spannarm so lange nach oben, bis er fest am Sicherungsring in der gewünschten Stellung anliegt. In dieser Stellung befestigen Sie den Spannarm mit dem erforderlichen Anzugsdrehmoment laut nachstehender Spezifikation.

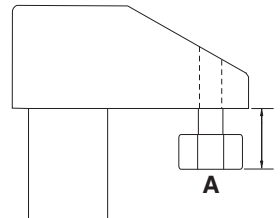


**VORSICHT:** Durch falsches Anzugsdrehmoment der Span arm schraube könnte der Spannarm während des Betriebs verrutschen. **VERWENDEN SIE BITTE NUR SECHSKANT INBUS-SCHRAUBEN DER QUALITÄTSKLASSE 8 (12.9 DIN 912) (werden mit Standard-Spannarmen geliefert).**

Anzugsdrehmoment der Spannarmschraube (D)	
Zylinderkapazität	Anzugsdrehmoment (geschmied)
2,2 kN	16,3 to 20,3 Nm
5,6 kN	32,5 to 39,3 Nm

## 6.3 Spannarme für Zylinder mit Kopfflansch

Für die Verwendung von Kopfflanschzylindern muß sichergestellt sein, daß die Druckschraube während der Verwendung nicht mit dem Kopfflansch kollidiert. Der Spannarm muß lang genug sein, daß die Druckschraube den Kopfflansch nicht berührt, wenn der Arm abwärts geschwenkt wird. Abstandsprobleme sind sehr häufig, wenn die endgültige Spannposition an der Seite des Zylinders ist, und das Druckstück an der Vorderseite oder Rückseite des Kopfflansches vorbei abwärts geschwenkt werden muß. Unter Umständen muß der längere Spannarm der Serie CAL für solche Anwendungen verwendet werden.



Maximale Länge der Druckschraube	
Zylinderkapazität	Maximale Länge
2,2 kN	19,1
<b>HINWEIS:</b> Die hier angegebene maximale Länge gilt nur für Kopfflanschmodelle mit 2,2 kN Kapazität.	

## 6.4 Hydraulikanschlüsse

Als Anschlußverschraubungen werden Verschraubungen mit 350 bar Nennleistung benutzt.

KEINE Gewindedichtmittel benutzen. Die Dichtung erfolgt durch einen O-Ring in der Verschraubung. Schmieren Sie den O-Ring vor dem Zusammenbau. Bei der Zusammenstellung des Hydraulikkreises sind die Faktoren zu beachten, die unter *EINLEITENDE INFORMATIONEN* auf Seite 16 angegeben sind. Weitere Hinweise zur Installation von Hydraulikkreisen finden Sie im Katalog Enerpac.

Zylinderanschlüsse			
Zylinderkapazität	350 bar BSPP-Verschraubung	Zylinderkapazität	350 bar BSPP-Verschraubung
2,2 kN	G 1/8	5,6 kN	G 1/8

Anschlußbeschreibung (Siehe Abbildung 4 auf Seite 12.)

## 7.0 BETRIEB

Schwenkspannzylinder drehen sich im ersten Teil des Hubs um 90° und setzen dann ohne Drehung mit einem Spannungshub fort. Der Spannungshub des Zylinders ist ein gerader Abwärtshub. Die Spannung darf nur im vertikalen Hubbereich erfolgen, nicht während der Schwenkbewegung.



### VORSICHT

— Wenn die Spannkraft im Schwenkbereich aufgebracht wird, führt dies zu einer internen Beschädigung des Kolbens.

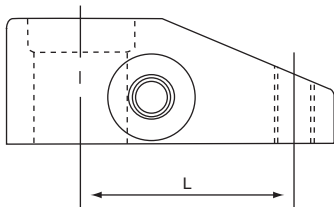
- Um höchstmögliche Leistung und Sicherheit des Zylinders zu gewährleisten, stellen Sie bitte sicher, daß alle hydraulischen Verbindungen, Schläuche und Anschlußstücke vollständig angezogen und abgedichtet sind. Stellen Sie sicher, daß alle Teile dem Systemdruck standhalten.
- Auf niedrigen Druck ausgerichtete Komponenten können einem höheren Druck nicht standhalten. Die Verwendung von Teilen, die auf niedrigen Druck ausgerichtet sind, führt zu Beschädigung des Materials und möglicherweise zu Arbeitsunfällen.

## 7.1 Entlüftungsstopfen

Einfach wirkende Zylinder haben einen Entlüftungsstopfen auf der linken Seite des Zylinders (wenn Sie auf die Hydraulikanschlüsse blicken). Um das Eindringen von Splintern und Kühlmittel zu verhindern, darf der Entlüftungsstopfen nicht entfernt werden. Wenn ständig Kühlmittel über den Entlüftungsstopfen fließt, kann ein Kunststoffschlauch mit einer BSPP-Verschraubung auf dem Anschluß befestigt werden und der Schlauch an einen externen, sauberen Bereich der Vorrichtung verlegt werden.

## 7.2 Druck und Durchflußrate

Die Spannarmlänge (L) bestimmt die Betriebsdruckeinstellung und die Durchflußrate.



Siehe die *Tabelle für maximale Durchflußrate* in den *Betriebsspezifikationen* auf Seite 16 für Spannarmlänge, Druckeinstellung und Durchflußrate. Stellen Sie den Betriebsdruck und die Durchflußrate gemäß den Grenzwerten ein, die durch die Spannarmlänge festgelegt werden. Überschreiten Sie nicht die Last-zu-Länge-Druckverhältnisse. Je länger der Arm, desto geringer die Spannkraft und der maximale Betriebsdruck.



**VORSICHT:** Es ist sehr wichtig, daß die korrekten Einstellungen für Druck und Durchfluß benutzt werden. Ein Betrieb außerhalb dieser Grenzwerte führt zur Beschädigung des Schwenkspannzylinders. Beschädigungen aufgrund der Überschreitung von Nenndruckwerten und Höchstdurchflußwerten SIND NICHT DURCH DIE GARANTIE GEDECKT.

## 8.0 WARTUNG

Die Wartung ist erforderlich, wenn Abnutzung oder Leckage festgestellt werden. Sie gelegentlich alle Komponenten, um eventuelle Probleme festzustellen, die Wartung und Service benötigen. Enerpac bietet verwendungsfertige Reparaturteilsätze an. Reparaturteilbögen mit schematischen Einbauzeichnungen und Ersatzteillisten sind erhältlich. Wenden Sie sich hierzu an Enerpac.

**WICHTIG:** Entnehmen Sie bitte alle Informationen zur korrekten Montage und Demontage den Ersatzteilbögen. Falsche Wartung und falscher Service wie z.B. falsche Anzugsdrehmomente können Funktionsfehler und/oder Arbeitsunfälle verursachen.

## 9.0 FEHLERBESEITIGUNG

Die folgende Information soll nur als Hilfe zur Fehlerfeststellung dienen. Wenden Sie sich wegen Reparaturen an Ihr Vertriebsunternehmen oder das zuständige autorisierte Enerpac Service-Center.

Problem	Mögliche Ursache	Lösung
1. Zylinder spannt/ entspannt nicht.	A. Pumpenentlastungsventil offen B. Kein Öl im Pumpentank C. Luft im System D. Kupplungen nicht ganz festgezogen E. Verstopfte Hydraulikleitung F. Feder im Zylinder gebrochen	A. Das Pumpenentlastungsventil schließen B. Tank der Pumpe auffüllen C. Luft aus dem Hydrauliksystem entfernen D. Die Verschraubungen erneut festziehen E. Ventile, Anschlüsse und Rohrverlegungen prüfen F. Feder ersetzen
2. Zylinder fährt nur teilweise aus.	A. Ölstand in der Pumpe zu niedrig B. Kolben klemmt	A. Tank der Pumpe auffüllen B. Schadhafte Teile ersetzen siehe <i>Ersatzteilbogen</i>
3. Zylinder spannt/ entspannt langsamer als üblich.	A. Leckage in der Verbindung B. Verstopfte Hydraulikleitung C. Funktionsstörung der Pumpe	A. Anschlüsse, Verschraubungen und Rohrverlegungen festziehen B. Ventile, Anschlüsse und Rohrverlegungen prüfen C. Siehe Pumpenanleitungsblatt
4. Zylinder spannt/ entspannt, hält aber keinen Druck.	A. Dichtungen defekt B. Leckage in der Verbindung C. Funktionsstörung der Pumpe	A. Dichtungen ersetzen — siehe <i>Ersatzteilbogen</i> B. Anschlüsse, Verschraubungen und Rohrverlegungen festziehen C. Siehe Pumpenanleitungsblatt
5. Zylinder verliert Öl.	A. Dichtungen defekt B. Kolben abgenutzt oder beschädigt	A. Dichtungen ersetzen — siehe <i>Ersatzteilbogen</i> B. Schadhafte Teile ersetzen — siehe <i>Ersatzteilbogen</i>
6. Spannarm macht keine Schwenkbewegung.	A. Spannarm lose. B. Kolben beschädigt.	A. Spannarm neu positionieren und festziehen — siehe <i>Befestigung des Spannarms</i> , Seite 18 B. Schadhafte Teile ersetzen — siehe <i>Ersatzteilbogen</i> .

## FERTIGUNGSMASSE FÜR SPANNARME

Siehe Seite 13. Zur korrekten Messung der Armlänge siehe Druck und Durchflußrate auf Seite 19. Zur Bestimmung der maximalen Spannkraft für den Arm siehe die Tabelle für maximale Durchflußrate in den Betriebsspezifikationen auf Seite 16.

L2058 Rev. C 03/12

Les vues éclatées de ce produit sont disponibles sur le site Enerpac [www.enerpac.fr](http://www.enerpac.fr). Vous pouvez également les obtenir auprès de votre réparateur agréé Enerpac ou auprès d'Enerpac même.

## 1.0 INSTRUCTIONS IMPORTANTES RELATIVES À LA RÉCEPTION

Inspecter tous les composants pour vous assurer qu'ils n'ont subi aucun dommage en cours d'expédition. Les dommages subis en cours de transports **ne sont pas** couverts par la garantie. S'ils sont abîmés, aviser immédiatement le transporteur, qui est responsable des frais de réparation et de remplacement résultant de dommages en cours de transport.

### LA SÉCURITÉ AVANT TOUT !

## 2.0 SÉCURITÉ



Lire attentivement toutes les instructions et mises en garde et tous les avertissements. Suivre toutes les précautions pour éviter d'encourir des blessures personnelles ou de provoquer des dégâts matériels durant le fonctionnement du système. Enerpac ne peut pas être tenue responsable de dommages ou blessures résultant de l'utilisation risquée du produit, d'un mauvais entretien ou d'une application incorrecte du produit et du système. En cas de doute sur les précautions ou les applications, contacter Enerpac.

Respecter les mises en garde et avertissements suivants sous peine de provoquer des dégâts matériels et des blessures corporelles.

Une mise en garde **ATTENTION** sert à indiquer des procédures d'utilisation et de maintenance correctes qui visent à empêcher l'endommagement voire la destruction du matériel ou d'autres dégâts.

Un **AVERTISSEMENT** indique un danger potentiel qui exige la prise de mesures particulières visant à écarter tout risque de blessure.

La mention **DANGER** n'est utilisée que lorsqu'une action ou un acte de négligence risque de causer des blessures graves, voire mortelles.



**AVERTISSEMENT** : Porter un équipement de protection personnelle adéquat pour utiliser un appareil hydraulique.



**AVERTISSEMENT** : Rester à l'écart de charges soutenues par un mécanisme hydraulique. Un vérin, lorsqu'il est utilisé comme monte-charge, ne doit jamais servir de support de charge. Après avoir monté ou abaissé la charge, elle doit être bloquée par un moyen mécanique.



**DANGER** : Pour écarter tout risque de blessures corporelles, maintenir les mains et les pieds à l'écart du vérin et de la pièce à usiner durant l'utilisation.



**AVERTISSEMENT** : Ne pas dépasser les valeurs nominales du matériel. Ne jamais essayer de soulever une charge d'un poids supérieur à la capacité du vérin. Une surcharge entraînera la panne du matériel et risque de provoquer des blessures corporelles. Les vérins sont conçus pour une pression maximale de 350 bar. Ne pas connecter de cric ou de vérin à une pompe affichant une pression nominale supérieure.



**DANGER** : **Ne jamais** régler la soupape de sûreté à une pression supérieure à la pression nominale maximale de la pompe sous peine de provoquer des dégâts matériels et/ou des blessures corporelles. Ne pas retirer le limiteur de pression.



**AVERTISSEMENT** : La pression de fonctionnement du système ne doit pas dépasser la pression nominale du composant du système affichant la plus petite valeur. Installer des manomètres dans le système pour surveiller la pression de fonctionnement. Ils permettent de vérifier ce qui se passe dans le système.



**ATTENTION** : Éviter d'endommager les tuyaux hydrauliques. Éviter de les plier et de les tordre en les mettant en place. Un tuyau plié ou tordu entraînera un fort retour de pression. Les plis et coudes prononcés endommageront par ailleurs l'intérieur du tuyau, provoquant son usure précoce.



**Ne pas** faire tomber d'objets lourds sur le tuyau. Un fort impact risque de causer des dégâts intérieurs (torons métalliques). L'application d'une pression sur un tuyau endommagé risque d'entraîner sa rupture.



**IMPORTANT** : Ne pas soulever le matériel hydraulique en saisissant ses tuyaux ou ses raccords articulés. Utiliser la poignée de transport ou procéder d'une autre manière sûre.



**ATTENTION** : Garder le matériel hydraulique à l'écart de flammes et d'une source de chaleur. Une forte température amollira les garnitures et les joints et provoquera par conséquent des fuites. La chaleur affaiblit également les matériaux et les garnitures du tuyau. Pour une performance maximale, ne pas exposer le matériel à une température supérieure ou égale à 65 °C [150 °F]. Protéger tuyaux et vérins de projections de soudure.



**DANGER** : Ne pas manipuler les tuyaux sous pression. L'huile sous pression qui risque de s'en échapper peut pénétrer dans la peau et provoquer des blessures graves. En cas d'injection d'huile sous la peau, contacter immédiatement un médecin.



**AVERTISSEMENT** : Utiliser des vérins hydrauliques uniquement dans un système couplé. Ne jamais utiliser un vérin en présence de raccords déconnectés. La surcharge du vérin peut avoir des effets désastreux sur ses composants, qui peuvent causer des blessures graves.



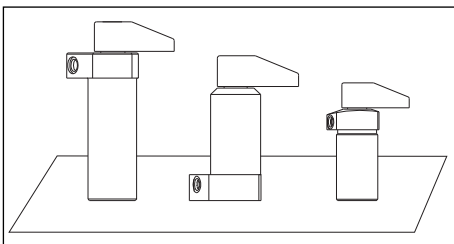
**IMPORTANT** : Le matériel hydraulique doit uniquement être réparé par un technicien hydraulique qualifié. Pour toute réparation, contacter le centre de réparation ENERPAC agréé le plus proche. Pour assurer la validité de la garantie, n'utiliser que de l'huile ENERPAC.



**AVERTISSEMENT**: Remplacer immédiatement les pièces usées ou endommagées par des pièces ENERPAC authentiques. Les pièces de qualité standard se casseront et provoqueront des blessures et des dégâts matériels. Les pièces ENERPAC sont conçues pour s'ajuster parfaitement et résister à de fortes charges.

### 3.0 DESCRIPTION

Ces vérins de bridage sont conçus pour pivoter à 90° vers la droite ou la gauche. Ils peuvent également être utilisés pour des applications de bridage en ligne droite. Des vérins à simple et double effet sont disponibles. Les bras de bridage ne sont pas fournis avec les vérins. Ils peuvent être commandés séparément ou fabriqués selon les spécifications de la page 13.



Modellnummercode						
1	2	3	4	5	6	Sonderzubehör
S = Vérin de bridage pivotant	T = corps fileté U = Bride supérieure L = Fußflansch inférieure	R = Pivotement à droite L = Pivotement à gauche S = Droit (sans pivotement)	S = Simple effet D = Double effet	2 = 2,2 kN 5 = 5,6 kN	2 = Métrique	V = Viton

### CARACTÉRISTIQUES

Caractéristiques du vérin			
<b>Capacité [kN]</b>		<b>2,2</b>	<b>5,6</b>
<b>Type de corps</b>		fileté, montage à bride inférieure ou supérieure	
<b>Type de vérin</b>		simple et double effet	
<b>Course hydraulique [mm]</b>	<b>bridage</b>	8,1	9,9
	<b>total</b>	16,5	22,6
<b>Surface utile [cm²]</b>	<b>bridage</b>	1,22	1,81
	<b>débridage</b>	1,55	3,81
<b>Contenance en huile [cm³]</b>	<b>bridage</b>	4,59	10,3
	<b>débridage</b>	9,67	20,2

<b>Caractéristiques de fonctionnement -- Tableau de débits maximum</b>						
<b>Voir également les diagrammes de force de bridage/longueur de bras page 10.</b>						
<b>2,2 kN -- La longueur maximum de bras de bridage est 76 mm</b>						
<b>Longueur du bras [mm]</b>	tirage droit	25	38 étendu	51 étendu	64 étendu	76 étendu
<b>Débit maxi. [c³/mn]</b>	197	197	98	98	98	98
<b>Pression maxi. [bar]</b>	350	350	207	145	128	107
<b>Force de bridage [kN]</b>	2,6	2,2	1,2	0,8	0,7	0,5
<b>5,6 kN -- La longueur maximum de bras de bridage est 127 mm</b>						
<b>Longueur du bras [mm]</b>	tirage droit	40 bras standard	51 étendu	76 étendu	102 étendu	127 étendu
<b>Débit maxi. [c³/mn]</b>	410	410	197	197	197	197
<b>Pression maxi. [bar]</b>	350	350	262	172	131	103
<b>Force de bridage [kN]</b>	6,2	5,0	3,3	2,0	1,2	0,9

#### 4.0 INFORMATIONS PRÉLIMINAIRES

**IMPORTANT** : Toute négligence de la lecture ou du respect de ces instructions peut résulter en une panne du système ou une défaillance du produit et annuler la garantie.

- (1) Des débits élevés peuvent causer une vitesse excessive du vérin et, éventuellement, l'endommager. La pression hydraulique et la vitesse du vérin doivent être ajustées en fonction de la longueur du bras de bridage.
- (2) La force de bridage dépend également de la longueur du bras. Voir les caractéristiques de fonctionnement.
- (3) Des régulateurs de débit avec clapet de retenue peuvent être utilisés pour limiter la vitesse du vérin pivotant à la valeur recommandée. Ce clapet de retenue minimise la pression en retour risquant de causer des problèmes de fonctionnement sur les systèmes à simple effet.
- (4) Si des vérins pivotants à simple effet sont utilisés, limiter la pression en retour à 3,5 bar maximum. Des tuyaux de gros diamètre (diamètre extérieur de 10 mm ou plus) et des commandes de débit avec clapets de retenue à écoulement libre aident à minimaliser la pression en retour.
- (5) Consulter Enerpac pour la configuration de système correcte. Une pression en retour excessive peut également endommager les vérins pivotants à double effet. Limiter la pression en retour à 42 bar maximum. Les systèmes à double effet doivent être configurés pour une entrée régulée avec écoulement libre inversé sur l'orifice de bridage. Le bridage de la pièce doit se faire à mi-chemin de la course verticale et non pas lorsque la bride pivotante tourne. Le bras de bridage doit effectuer librement sa rotation à 90° (ne pas toucher les têtes de coupe, outils, etc.).
- (6) Le bras de bridage doit être fixé au piston du vérin conformément aux instructions de la page 25.

#### 5.0 SPÉCIFICATIONS DE MONTAGE

##### 5.1 Montage des vérins à corps fileté

Les vérins à corps fileté peuvent être vissés dans un trou taraudé, assujettis à la machine au moyen d'une bride, vissés et maintenus par un écrou de blocage ou installés au travers d'un trou de dégagement et assujettis par des écrous de blocage. Voir les illustrations page 10.

<b>Capacité du vérin</b>	<b>Engagement minimum du filet</b>
2,2 kN	13 mm
5,6 kN	13 mm

Si un vérin pivotant à corps fileté est installé, l'engagement du filet doit être au moins égal à celui requis pour la bride de fixation Enerpac standard. Si un vérin est monté en n'utilisant que la partie inférieure du filetage, l'engagement doit être accru pour obtenir davantage de support. Voir le tableau ci-dessous pour l'engagement minimum de filet.

## 5.2 Montage des vérins par bride supérieure ou inférieure (Voir page 11.)



**AVERTISSEMENT : La machine doit pouvoir supporter une pression de service de 350 bar lorsque les vérins sont montés sur un bloc foré.**

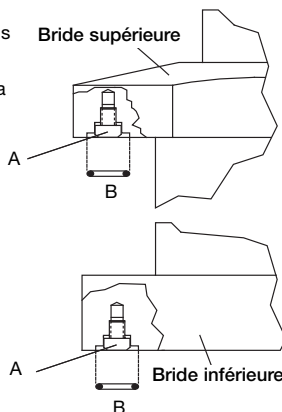
Pour pouvoir installer un vérin pivotant sur un bloc foré, les bouchons filetés d'orifices (A) et les joints en cuivre doivent être retirés.

Les joints toriques (B) fournis doivent être lubrifiés et installés dans la noyure du pourtour de l'orifice avant de monter et de boulonner le vérin pivotant.

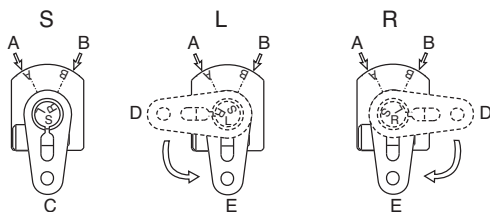
Veiller à ce que le joint torique ne soit ni pincé ni endommagé durant le montage, ce qui pourrait causer des fuites. Pour éviter des fuites au bloc foré, la tolérance de planéité de la surface de montage ne doit pas excéder 0,08 mm et la rugosité Ra 1,6.

### 6.0 INSTALLATION

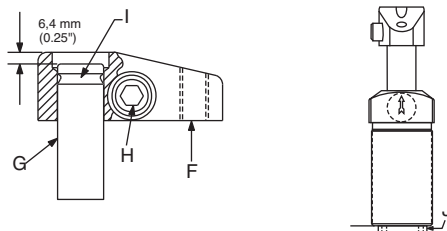
Ces vérins de bridage pivotants sont conçus de manière à pouvoir régler la position du bras de bridage *après* avoir monté le vérin. S'il est nécessaire de changer le sens de rotation, le faire *avant* de monter le vérin.



### 6.1 Changement du sens de rotation du piston du vérin (si nécessaire)



S		L		R	
Droit		Pivotement à gauche		Pivotement à droite	
A	B	C	D	E	
Orifice de bridage	Orifice de débridage	Position de bridage/débridage	Position de débridage	Position de bridage	



Pour changer le sens de rotation du piston du vérin, aligner la lettre du haut du piston avec la flèche du flanc du vérin, à l'opposé des orifices. Pour changer le sens de rotation, voir les illustrations et procéder comme suit. Une clé réglable est nécessaire.

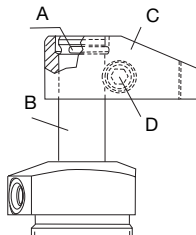
- Placer le bras (F) sur le piston (G) afin de disposer d'une poignée pour le déplacer.
  - Desserrer le boulon du bras de bridage (H).



- (b) Retirer la bague de retenue (I) et glisser le bras de bridage vers le bas du piston, jusqu'à ce que le haut du bras se trouve à 6 mm de la surface supérieure du piston.
- (c) Serrer le boulon du bras de bridage. NE PAS jeter la bague de retenue.
2. Placer la clé réglable sur le bouchon inférieur (J) du vérin et le tourner (le bouchon face à soi) de 4 tours vers la gauche.
- NOTE:** Sur les vérins à simple effet, il peut être nécessaire de donner plus de 4 tours au bouchon pour soulager la tension du ressort de rappel.
3. Appuyer sur le piston du vérin et le tourner pour aligner la lettre désirée (S, L, R) avec la flèche du flanc du vérin.
4. Une fois la lettre et la flèche alignées, tirer le piston du vérin vers le haut, revisser le bouchon inférieur de 4 tours et serrer fermement.

## 6.2 Montage du bras de bridage

- Retirer la bague de retenue (A) du haut du piston (B) du vérin.
- Glisser le bras de bridage (C) vers le bas, par-dessus le piston et utiliser des pinces pour pousser la bague de retenue sur la rainure du piston. Orienter la bague de retenue de façon à ce que son ouverture soit dirigée vers l'arrière du bras de bridage. Voir l'illustration.
- Remonter le bras de bridage jusqu'à ce qu'il s'appuie fermement sur la bague de retenue, dans la position désirée. En le maintenant dans cette position, serrer le boulon du bras de bridage (D) au couple spécifié ci-dessous.

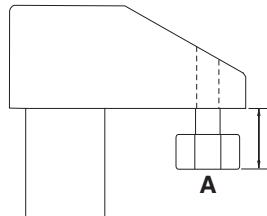


**ATTENTION : Un serrage insuffisant du boulon du bras de bridage peut causer le glissement du bras pendant le fonctionnement. VEILLER À UTILISER DES BOULONS À TÊTE CREUSE, CLASSE 8 (12.9 DIN 912) (fournis avec les bras de bridage standard).**

Couples de serrage du boulon de bras de bridage	
Capacité du vérin	Couple du boulon lubrifié
2,2 kN	16,3 to 20,3 Nm
5,6 kN	32,5 to 39,3 Nm

## 6.3 Bras de bridage pour vérin à bride supérieure

Pour utiliser les vérins à bride supérieure, s'assurer que le boulon de contact ne touche pas la bride pendant le fonctionnement. Le bras de bridage doit être assez long pour que le boulon de contact ne touche pas la bride supérieure lorsque le bras pivote vers le bas. Les problèmes de dégagement sont les plus fréquents lorsque la position finale du bridage se trouve sur le côté du vérin et lorsque le boulon de contact doit passer devant ou derrière la bride supérieure lorsqu'il pivote vers le bas. Pour ces applications, il peut être nécessaire d'utiliser le bras de la série CAL, plus long.



Longueur maximum du boulon de contact	
Capacité du vérin	Longueur maximum
2,2 kN	19,1
<b>NOTE:</b> La longueur maximum indiquée ici ne s'applique qu'aux modèles à bride supérieure 2,2 kN.	

## 6.4 Branchements hydrauliques

Pour faire les branchements sur les orifices, poser des raccords prévus pour une pression de service de 350 bar. NE PAS utiliser de produit d'étanchéité pour filetages. L'étanchéité est assurée par un joint torique posé sur le bossage du raccord. Lubrifier le joint torique avant le montage.

Lors de la conception du circuit hydraulique, tenir compte des facteurs mentionnés dans la section INFORMATIONS PRÉLIMINAIRES, page 23. Pour plus de détails sur les circuits hydrauliques, consulter le catalogue d'automatisation de production Enerpac.

Orifices de vérin			
Capacité du vérin	Raccord BSPP 350 bar	Capacité du vérin	Raccord BSPP 350 bar
2,2 kN	G 1/8	5,6 kN	G 1/8

Identification d'orifice (Voir page 11.)

## 7.0 FONCTIONNEMENT

Les vérins pivotants tournent de 90° pendant la première partie de la course et continuent sans rotation pour le bridage final. La course verticale descendante est la course de bridage du vérin. La force de bridage doit être appliquée uniquement pendant ce déplacement vertical et non pas durant le mouvement de rotation.



### ATTENTION

- Si la force de bridage est appliquée pendant la rotation, le piston risque subir des dommages internes.
- Pour assurer une performance et sécurité d'utilisation maximum des vérins, veiller à ce que tous les branchements, flexibles et raccords soient étanches et bien serrés.
- S'assurer que toutes les pièces sont prévues pour supporter les pressions de service. Des composants de moindre résistance ne peuvent pas supporter les pressions élevées. Leur utilisation entraînera des dommages matériels et corporels.

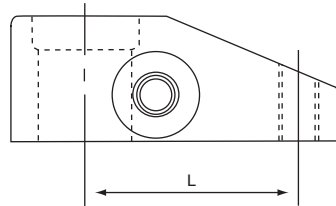
### 7.1 Bouchon à évent

Les vérins simple effet sont munis un bouchon à évent situé sur leur flanc gauche lorsque l'on fait face aux orifices hydrauliques. Pour éviter l'entrée de limailles et de liquide de refroidissement, le bouchon à évent ne doit pas être retiré. Si le bouchon à évent est continuellement noyé par le liquide de refroidissement, brancher un tuyau sur l'orifice au moyen d'un raccord BSPP et l'acheminer jusqu'à un endroit non contaminé de la machine.

### 7.2 Pression et débit

La longueur (L) du bras de bridage détermine la pression et le débit de fonctionnement.

Pour la longueur du bras de bridage, le réglage de pression et le débit, voir *Caractéristiques de fonctionnement - Tableau de débits maximum*, page 23. Régler la pression de fonctionnement et le débit suivant les limites établies par la longueur du bras de bridage. Ne pas dépasser les limites prescrites. Plus le bras est long, plus la force de bridage et la pression de fonctionnement maximale diminuent.



**ATTENTION:** Il est très important d'utiliser les réglages corrects de pression et de débit. Le fonctionnement en dehors de ces limites endommagera le vérin pivotant. Les dégâts causés par le dépassement des pressions et débits maximum permis **NE SONT PAS COUVERTS PAR LA GARANTIE.**

## 8.0 ENTRETIEN

L'entretien est nécessaire en cas d'usure ou de fuites. De temps à autre, inspecter tous les composants en vue d'éventuels problèmes exigeant l'entretien ou la réparation. Enerpac offre des kits de réparation prêts à l'emploi. Des planches illustrées des pièces détachées sont disponibles avec schémas d'assemblage et nomenclature. Contacter Enerpac.

**IMPORTANT :** Consulter la planche de pièces détachées pour les instructions d'assemblage et désassemblage. La négligence du respect des instructions d'entretien et de réparation, par exemple l'usage de couples de serrage incorrects, peut entraîner des problèmes de fonctionnement et/ou causer des blessures.

## 9.0 DÉPANNAGE

Les informations suivantes ne sont fournies qu'à titre indicatif afin de déterminer l'existence d'un problème. Pour les réparations, contacter le distributeur ou centre local Enerpac agréé.

Problème	Cause possible	Remède
1. Le vérin ne bride/débride pas.	A. Soupape de décharge de la pompe ouverte B. Pas d'huile dans le réservoir C. Air emprisonné dans le circuit. D. Raccords mal serrés E. Conduite hydraulique obstruée F. Ressort cassé dans le vérin	A. Fermer la soupape de décharge de la pompe B. Remplir le réservoir de la pompe C. Purger l'air du circuit hydraulique D. Resserrer les raccords E. Vérifier les soupapes, raccords et tuyaux F. Remplacer le ressort
2. Le vérin ne sort que partiellement.	A. Niveau d'huile de la pompe insuffisant B. Piston grippé	A. Remplir le réservoir de la pompe B. Remplacer les pièces endommagées — Voir la <i>planche des pièces détachées</i>
3. Le vérin bride/débride plus lentement que la normale.	A. Fuite de branchement B. Conduite hydraulique obstruée C. Défaillance de la pompe	A. Resserrer les raccords et branchements B. Vérifier les soupapes, raccords et tuyaux C. Voir la <i>feuille d'instructions de la pompe</i>
4. Le vérin bride/débride, mais ne maintient pas la pression.	A. Joints endommagés B. Fuite de branchement C. Défaillance de la pompe	A. Remplacer les joints — Voir la <i>planche des pièces détachées</i> B. Resserrer les raccords et branchements C. Voir la <i>feuille d'instructions de la pompe</i>
5. Fuite d'huile au vérin.	A. Joints endommagés B. Piston usé ou endommagé	A. Remplacer les joints — Voir la <i>planche des pièces détachées</i> B. Remplacer les pièces endommagées — Voir la <i>planche des pièces détachées</i>
6. Le bras de bridage n'effectue pas le mouvement pivotant.	A. Bras de bridage desserré B. Piston endommagé	A. Repositionner et serrer le bras de bridage — Voir <i>Fixation du bras de bridage</i> B. Remplacer les pièces endommagées — Voir la <i>planche des pièces détachées</i>

## SPÉCIFICATIONS POUR L'USINAGE DES BRAS DE BRIDAGE

Voir page 13. Voir *Pression et débit*, page 26, pour la mesure correcte de la longueur du bras. Pour déterminer la force de bridage maximum du bras, voir *Caractéristiques de fonctionnement - Tableau de débits maximum*, page 23.

L2058 Rev. C 03/12

Las hojas de despiece para este producto están disponibles en la página web de Enerpac en la dirección [www.enerpac.com](http://www.enerpac.com), o en su centro de Asistencia Técnica ó punto de venta Enerpac mas cercano.

## 1.0 IMPORTANTES INSTRUCCIONES DE RECEPCIÓN

Inspeccione visualmente todos los componentes para verificar si hay daños de envío. Debido a que la garantía **no** ampara daños por envío, si los hubiese, infórmeselo inmediatamente a la empresa de transportes, puesto que ésta es responsable de todos los gastos de reparaciones o reemplazo que resulten por daños de envío.

### SEGURIDAD PRIMERO

## 2.0 ASPECTOS DE SEGURIDAD



Lea todas las instrucciones, advertencias y precauciones. Acate todas las precauciones de seguridad para evitar lesiones personales o daños a la propiedad durante la operación del sistema. ENERPAC no puede ser responsable de daños o lesiones que resulten de no usar el producto de forma segura, falta de mantenimiento o aplicación incorrecta del producto y/u operación del sistema. Comuníquese con ENERPAC si tuviese dudas sobre las precauciones de seguridad o sobre las aplicaciones. Si nunca ha sido capacitado en seguridad hidráulica de alta presión, consulte a su distribuidor o centro de servicio para obtener un curso de seguridad gratis denominado ENERPAC Hydraulic.

El no cumplir con las siguientes precauciones y advertencias podría causar daños al equipo y lesiones personales.

Una **PRECAUCIÓN** se utiliza para indicar procedimientos y prácticas de operación o mantenimiento correctos para evitar daños o la destrucción de equipo u otra propiedad.

Una **ADVERTENCIA** indica un potencial peligro que requiere de procedimientos o prácticas correctos para evitar lesiones personales.

Un **PELIGRO** se utiliza sólo cuando su acción o falta de acción podría causar lesiones graves o incluso la muerte.



**ADVERTENCIA:** Use el equipo de protección personal adecuado cuando opere equipo hidráulico.



**ADVERTENCIA:** Manténgase alejado de las cargas soportadas por sistemas hidráulicos. Cuando un cilindro se utiliza como dispositivo para levantar carga, nunca debería usarse como dispositivo para sostener carga. Después de que la carga haya sido

levantada o descendida, debe bloquearse siempre en forma mecánica.



**PELIGRO:** Para evitar lesiones personales, mantenga las manos y los pies alejados del cilindro y pieza de trabajo durante la operación.



**ADVERTENCIA:** No sobrepase el valor nominal del equipo. Nunca intente levantar una carga que pese más de la capacidad del cilindro. Las sobrecargas ocasionan fallas del equipo y posibles lesiones personales. Los cilindros están diseñados para resistir una presión máxima de 350 bar. No conecte un gato o cilindro a una bomba cuyo valor nominal de presión es mayor que el indicado.



**PELIGRO: Nunca** fije la válvula de seguridad a una presión más alta que el máximo valor nominal de presión de la bomba. Los ajustes más altos pueden resultar en daños al equipo y/o lesiones personales. No remover la válvula de seguridad.



**ADVERTENCIA:** La presión de operación del sistema no debe sobrepasar el valor nominal de presión del componente con el valor nominal más bajo en el sistema. Instale manómetros de presión en el sistema para vigilar la presión de operación. Es su ventana a lo que está sucediendo en el sistema.



**PRECAUCIÓN: Evite dañar la manguera hidráulica.** Evite pliegues y curvas agudos al guiar las mangueras hidráulicas. Usar una manguera con pliegues o curvas puede causar severa contrapresión. Los pliegues y curvas agudos causarán daños internos la manguera, lo que ocasionará que ésta falle prematuramente.



**No** deje caer objetos pesados sobre la manguera. Un impacto directo puede causar daños internos a las hebras de alambre de la manguera. Aplicar presión a una manguera dañada puede ocasionar que se quiebre.



**IMPORTANTE:** No levante el equipo hidráulico por las mangueras o acopladores giratorios. Use el mango de transporte u otros medios para transportarla con seguridad.



**PRECAUCIÓN: Mantenga el equipo hidráulico alejado de las llamas y el calor.** El calor en exceso ablandará las juntas y sellos, lo que resultará en fugas de líquidos. Asimismo, el calor debilita los materiales de la manguera y juntas. Para lograr un rendimiento óptimo, no exponga el equipo a temperaturas de 65°C [150°F] o mayores. Proteja las mangueras y cilindros de salpicaduras de soldadura.



**PELIGRO: No manipule mangueras bajo presión.** El aceite que escape bajo presión puede penetrar la piel y causar lesiones graves. Si se inyecta aceite bajo la piel, consulte a un médico inmediatamente.



**ADVERTENCIA: Use cilindros hidráulicos únicamente en sistemas acoplados.** Nunca use un cilindro si los acopladores no están conectados. Si el cilindro se sobrecarga, los componentes pueden fallar calamitosamente, lo que causaría lesiones personales graves.



**IMPORTANTE:** Únicamente técnicos calificados en sistemas hidráulicos habrán de prestarle servicio al equipo hidráulico. Comuníquese con el Centro de Servicio ENERPAC autorizado en su zona para prestarle servicio de reparaciones. Use únicamente aceite ENERPAC a fin de proteger su garantía.

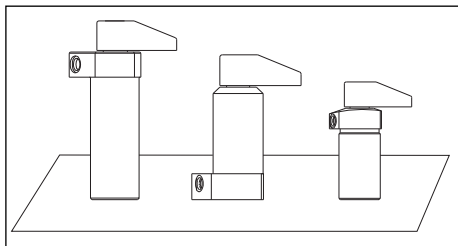


**ADVERTENCIA:** Reemplace inmediatamente las piezas gastadas o dañadas por piezas ENERPAC genuinas. Las piezas de clasificación estándar se romperán, lo que causará lesiones personales y daños a la propiedad. Las piezas ENERPAC están diseñadas para encajar debidamente y resistir altas cargas.

### 3.0 DESCRIPCION

Los cilindros de giro están diseñados para girar 90° en sentido horario o contrahorario. Pueden usarse en situaciones de fijación recta. Se ofrecen cilindros de acción única y de acción doble.

Los brazos de fijación no se incluyen con los cilindros. Los brazos de fijación pueden adquirirse por separado o fabricarse según las especificaciones dadas en la página 13.



Código de número de modelo						
1	2	3	4	5	6	opcional
S = cilindro de giro	T = cuerpo roscado U = brida superior L = brida inferior	R = giro a derecha L = giro a izquierda S = recto (no gira)	S = acción única D = acción doble	2 = 2,2 kN 5 = 5,6 kN	2 = métrico	V = Viton

### ESPECIFICACIONES

Especificaciones de cilindros			
Capacidad [kN]		2,2	5,6
Estilo de cuerpo		cuerpo roscado, montaje en brida inferior o superior	
Tipos de cilindro		acción única y acción doble	
Carrera hidráulica [mm]	fijado	8,1	9,9
	total	16,5	22,6
Superficie eficaz [cm²]	fijado	1,22	1,81
	suelto	1,55	3,81
Capacidad de aceite [cm³]	fijado	4,59	10,3
	suelto	9,67	20,2

**Especificaciones de funcionamiento — Tabla de caudal máximo**

También vea las gráficas de fuerza de fijación vs. longitud del brazo página 10.

**2,2 kN — La longitud máxima del brazo de fijación es de 76 mm**

<b>Longitud del brazo [mm]</b>	tracción recta	25 brazo estándar	38 extendido	51 extendido	64 extendido	76 extendido
<b>Caudal máx. [cc/min]</b>	197	197	98	98	98	98
<b>Presión máx. [bar]</b>	350	350	207	145	128	107
<b>Fuerza de fijación [kN]</b>	2,6	2,2	1,2	0,8	0,7	0,5

**5,6 kN — La longitud máxima del brazo de fijación es de 127 mm**

<b>Longitud del brazo [mm]</b>	tracción recta	40 brazo estándar	51 extendido	76 extendido	102 extendido	127 extendido
<b>Caudal máx. [cc/min]</b>	410	410	197	197	197	197
<b>Max. Pressure [bar (psi)]</b>	350	350	262	172	131	103
<b>Fuerza de fijación [kN]</b>	6,2	5,0	3,3	2,0	1,2	0,9

**4.0 INFORMACION PRELIMINAR**

**IMPORTANTE:** El no leer y atenerse a estas instrucciones puede causar el mal funcionamiento del sistema o la falla del producto y anular la garantía.

- (1) Los caudales excesivos pueden imprimir una velocidad excesiva al cilindro y dañarlo. La presión hidráulica y la velocidad del cilindro deben ajustarse de modo correspondiente a la longitud del brazo de fijación. La fuerza de fijación también varía según la longitud del brazo de fijación. Consulte la s especificaciones de funcionamiento arriba dadas.
- (2) Se deben usar controles de caudal con válvulas de retención en los conductos de retorno para reducir la velocidad del cilindro de giro al valor recomendado. Las válvulas de retención en los conductos de retorno ayudan a reducir la contrapresión que podría causar la falla de la función de soltado en los sistemas de acción única.
- (3) Al usar cilindros de giro de acción única, limite la contrapresión del caudal de retorno a un máximo de 3,5 bar. El uso de tubería de diámetro grande (D.E. de 10 mm o mayor) y controles de caudal con válvulas de retención de retorno de caudal libre contribuye a reducir la contrapresión al mínimo. Consulte a Enerpac para el diseño apropiado del sistema.
- (4) Una contrapresión por exceso de caudal de retorno también puede dañar los cilindros de giro de acción doble. Limite la contrapresión del caudal de retorno a un máximo de 42 bar. Los sistemas de acción doble deben diseñarse con un caudal dosificado de entrada con caudal inverso libre en la lumbrera de fijación.
- (5) La fijación del componente debe ocurrir en el punto medio de la carrera vertical. No debe producirse fijación alguna mientras la pinza de giro está en movimiento. El brazo de fijación debe moverse libremente en los 90° de su trayectoria de giro (debe evitarse la interferencia con herramientas, accesorios, etc.).
- (6) La conexión del brazo de fijación al émbolo del cilindro debe hacerse según las instrucciones dadas en la página 33.

**5.0 ESPECIFICACIONES DE MONTAJE****5.1 Montaje de cilindros de cuerpo roscado**

Los cilindros de cuerpo roscado pueden atornillarse en un agujero roscado, fijarse al aparejo de montaje usando una brida, atornillarse en el aparejo y fijarse con una contratuerca o montarse a través de un agujero de utilidad fijarse con contratuercas. Vea las ilustraciones página 10.

Quando se instala un cilindro de giro de cuerpo roscado en un aparejo, la distancia de roscas que se engranen no debe ser menor que la distancia de roscas que se engranan en una brida de montaje estándar de Enerpac. Si se instala un cilindro usando únicamente la porción inferior de las roscas, la distancia de roscas engranadas debe aumentarse para ofrecer más soporte. Consulte la tabla siguiente para la distancia mínima de roscas engranadas.

Capacidad del cilindro	Distancia mínima de roscas engranadas
2,2 kN	13 mm
5,6 kN	13 mm

### Montaje de cilindros con brida superior y brida inferior (Vea la página 11.)



**ADVERTENCIA:** El aparejo deberá ser capaz de soportar una presión hidráulica de trabajo de 350 bar cuando los cilindros se montan en colector.

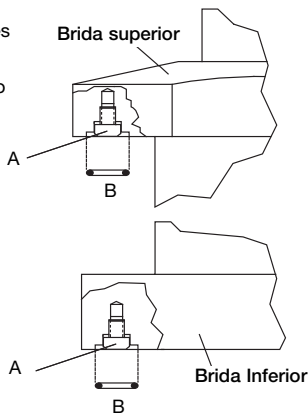
Antes de montar un cilindro de giro en un colector, quite los tapones roscados (A) y empaquetaduras de cobre.

Los anillos "O" (B) provistos deben lubricarse e instalarse en el agujero contrataladrado alrededor de la lumbrera antes de montar y empernar el cilindro de giro.

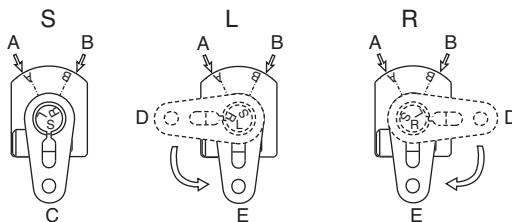
Asegúrese de no aplastar ni dañar el anillo "O" al instalarlo, de lo contrario se podrían causar fugas. Para evitar las fugas del montaje en colector, la superficie de montaje en el aparejo deberá ser plana con una tolerancia de 0,08 mm y la aspereza de la superficie no deberá exceder el índice Ra 1,6.

## 6.0 INSTALACION

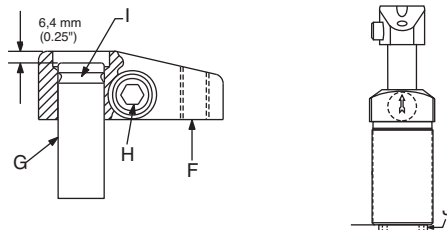
Los cilindros de giro se han diseñado de modo que permiten ajustar la posición del brazo de fijación *después* de haber instalado el cilindro. Si se necesita cambiar el sentido de giro, cámbielo *antes* de montar el cilindro.



### 6.1 Cambio del sentido de giro del émbolo (de ser necesario)



S	L	R		
Recto	Giro a izquierda	Giro a derecha		
A	B	C	D	E
Lumbrera de fijación	Lumbrera de soltado	Posiciones de fijación y soltado	Posición de soltado fijación	Posición de



Para cambiar el sentido de giro del émbolo, es necesario alinear la letra que se encuentra en la parte superior del émbolo con la flecha que se encuentra en el costado del cilindro opuesto al de las lumbreras. Para cambiar el sentido de giro, consulte las ilustraciones y siga el procedimiento dado a continuación. Se necesitará una llave inglesa.

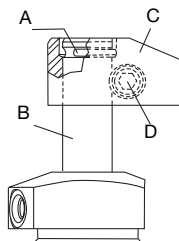
1. Coloque el brazo (F) sobre el émbolo (G) para que sirva de palanca para mover el émbolo.
  - (a) Suelte el perno del brazo de fijación (H).
  - (b) Quite el anillo retenedor (I) y deslice el brazo de fijación hacia la parte inferior del émbolo hasta que la parte superior del brazo esté a 6 mm de la superficie superior del émbolo.
  - (c) Apriete el perno del brazo de fijación. **NO BOTE** el anillo retenedor.
2. Coloque la llave inglesa en el tapón inferior del cilindro (J) y dele 4 vueltas en sentido contrahorario (al mirarlo de frente).

**NOTA:** En los cilindros de acción única podría ser necesario darle más de 4 vueltas al tapón inferior para aliviar la tensión del resorte de retorno.

3. Empuje el émbolo hacia abajo y gírelo hasta alinear la letra deseada (L, R, S) con la flecha que se encuentra en el costado del cilindro.
4. Una vez que la letra queda alineada con la flecha, tire el émbolo hacia arriba, dele 4 vueltas en sentido horario al tapón inferior y apriételo bien firme.

## 6.2 Instalación del brazo de fijación

1. Quite el anillo retenedor (A) de la parte superior del émbolo (B).
2. Deslice el brazo de fijación (C) hacia la parte inferior del émbolo y use alicates para volver a insertar el anillo retenedor en la ranura del émbolo. Oriente el anillo retenedor de modo que su separación quede hacia la parte posterior del brazo de fijación. Vea la ilustración.
3. Mueva el brazo de fijación hacia arriba hasta que quede firmemente ajustado contra el anillo retenedor y en la posición deseada. Mientras se mantiene esta posición, apriete el perno del brazo de fijación (D) al valor especificado abajo.

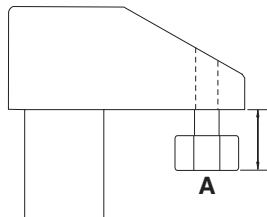


**ATENCIÓN:** Si el perno del brazo de fijación no se aprieta debidamente, el brazo podría patinar durante su funcionamiento. **ASEGURESE DE USAR PERNOS DE CABEZA HUECA DE CLASE 8 (12.9 DIN 912), suministrados con los brazos de fijación estándar.**

Apriete del perno del brazo de fijación	
Capacidad del cilindro	Apriete con perno lubricado
2,2 kN	16,3 to 20,3 Nm
5,6 kN	32,5 to 39,3 Nm

## 6.3 Brazos para cuerpo con brida superior

Para usar los cilindros con brida superior, asegúrese que el perno de contacto quede libre de la brida superior durante el funcionamiento. El brazo de fijación debe ser suficientemente largo para que el perno de contacto quede libre de la brida superior cuando éste se mueve hacia abajo. Los problemas de interferencia ocurren con mayor frecuencia cuando la posición de fijación final está a un costado del cilindro y el perno de contacto debe pasar delante o detrás de la brida superior cuando se desplaza hacia abajo. Podría ser necesario utilizar el brazo de fijación de la serie CAL, que es más largo, en estas aplicaciones.



Longitud máxima del perno de contacto	
Capacidad del cilindro	Longitud máxima
2,2 kN	19,1

**NOTA:** La longitud máxima dada corresponde a los modelos de 2,2 kN con brida superior solamente.

## 6.4 Conexiones hidráulicas

Para hacer las conexiones en las lumbreras, utilice adaptadores con capacidad nominal de 350 bar.



NO USE pasta selladora de roscas. El sellado se logra por medio de un anillo "O" colocado en la saliente del adaptador. Lubrique el anillo "O" antes del armado.

Al diseñar el circuito hidráulico, tome en consideración los factores indicados en *INFORMACION PRELIMINAR* en la página 30. Para más información en cuanto a los circuitos hidráulicos, consulte el Catálogo Enerpac.

Lumbreras de cilindros			
Capacidad del cilindro	Adaptador BSPP de 350 bar	Capacidad del cilindro	Adaptador BSPP de 350 bar
2,2 kN	G 1/8	5,6 kN	G 1/8

Identificación de lumbreras (Vea la página 12.)

## 7.0 FUNCIONAMIENTO

Los cilindros de giro giran 90° durante la primera parte de la carrera y avanzan sin girar durante la carrera final de fijación. La carrera recta descendente es la carrera de fijación del cilindro. La fuerza de fijación debe aplicarse únicamente durante la carrera vertical y no durante el movimiento de giro.



### ATENCIÓN

— Si la fuerza de fijación se aplica durante la porción de giro de la carrera, se causarán daños internos al émbolo.

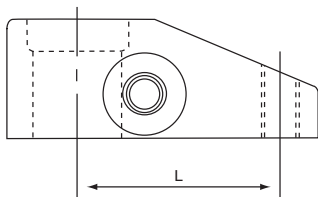
- Para asegurar el rendimiento máximo del cilindro y la seguridad de funcionamiento, asegúrese que todas las conexiones, mangueras y adaptadores hidráulicos estén debidamente sellados y bien apretados.
- Asegúrese que todos los componentes tengan capacidad suficiente para soportar las presiones de trabajo del sistema. Los componentes con capacidad insuficiente no soportarán las presiones excesivas. El uso de componentes con capacidad insuficiente causará daños al equipo y lesiones personales.

### 7.1 Tapón ventilado

Los cilindros de acción única tienen un tapón ventilado en el lado izquierdo del cilindro, cuando se está mirando las lumbreras hidráulicas. Para evitar la entrada de partículas extrañas y de refrigerante, no quite el tapón ventilado. Si el tapón ventilado sufre una inundación continua de refrigerante, conecte un tubo a la lumbrera usando un adaptador BSPP y lleve el otro extremo del tubo a una zona no contaminada del aparejo.

### 7.2 Presión y caudal

La longitud (L) del brazo de fijación determina los valores de la presión y caudal de trabajo.



Vea *Especificaciones de funcionamiento -- Tabla de caudal máximo* en la página 30 para la relación entre la longitud del brazo de fijación y los valores de la presión y caudal de trabajo. Ajuste la presión y caudal de trabajo según los límites establecidos por la longitud del brazo de fijación. No exceda la relación entre la presión de carga y la longitud. Cuanto mayor sea la longitud del brazo, tanto menor será la fuerza de fijación y la presión máxima de trabajo.



**ATENCIÓN:** Es sumamente importante que se ajusten los valores de presión y caudal correctamente. El exceder los límites establecidos dañará el cilindro de giro. Los daños ocurridos como consecuencia de exceder la presión y caudal nominales **NO ESTAN CUBIERTOS POR LA GARANTIA.**

## 8.0 MANTENIMIENTO

La unidad necesita mantenimiento cuando se observa desgaste o fugas. Inspeccione ocasionalmente todos los componentes para ver si existe algún problema que requiera servicio y mantenimiento. Enerpac ofrece juegos de reparación que incluyen los repuestos necesarios. Las hojas de repuestos se ofrecen con los

diagramas de disposición y listas de piezas. Comuníquese con Enerpac.

**IMPORTANTE:** Consulte la Hoja de repuestos para obtener información en cuanto a los procedimientos correctos de armado y desarmado. Los procedimientos incorrectos de mantenimiento y servicio, tales como el uso de valores incorrectos de apriete, pueden causar la falla del producto y/o lesiones personales.

## 9.0 LOCALIZACION DE AVERIAS

La siguiente información está destinada sólo a ayudar a determinar si existe alguna avería. Para servicio de reparación, diríjase al distribuidor o al centro de servicio autorizado Enerpac de su zona.

Problema	Causa posible	Solución
1. El cilindro no se fija/suelta.	A. La válvula de alivio de la bomba está abierta. B. Falta de aceite en depósito de la bomba. C. Aire en el sistema. D. Los acopladores no están completamente apretados. E. Línea hidráulica obstruida. F. Resorte roto en cilindro	A. Cierre la válvula de alivio de la bomba. B. Llene el depósito de la bomba. C. Purgue el aire del sistema hidráulico. D. Apriete los acopladores. E. Revise las válvulas, adaptadores y tubería. F. Sustituya el resorte.
2. El cilindro avanza parcialmente.	A. Nivel bajo de aceite en bomba. B. Embolo agarrotado.	A. Llene el depósito de la bomba. B. Sustituya los componentes dañados — consulte la <i>Hoja de repuestos</i> .
3. El cilindro se fija/suelta más lento que lo normal.	A. Conexión con fugas. B. Línea hidráulica restringida. C. Avería de la bomba.	A. Apriete los adaptadores, acopladores y tubería. B. Revise las válvulas, adaptadores y tubería. C. Consulte la hoja de instrucciones de la bomba.
4. El cilindro se fija/suelta pero no retiene su presión.	A. Sellos dañados. B. Conexión con fugas. C. Avería de la bomba	A. Sustituya los sellos — consulte la <i>Hoja de repuestos</i> . B. Apriete los adaptadores, acopladores y tubería. C. Consulte la hoja de instrucciones de la bomba.
5. Fugas de aceite en el cilindro.	A. Sellos dañados. B. Embolo desgastado o dañado.	A. Sustituya los sellos — consulte la <i>Hoja de repuestos</i> . B. Sustituya los componentes dañados — consulte la <i>Hoja de repuestos</i> .
6. El brazo de fijación no gira.	A. Brazo de fijación suelto. B. Embolo dañado.	A. Ajuste la posición del brazo de fijación y apriételo — vea <i>Instalación del brazo de fijación</i> B. Sustituya los componentes dañados — consulte la <i>Hoja de repuestos</i> .

## ESPECIFICACIONES DE FABRICACION DEL BRAZO DE FIJACION

Vea la página 13. Vea *Presión y caudal* en la página 33 para medir la longitud correcta del brazo. Para determinar la fuerza de fijación máxima del brazo, consulte Especificaciones de funcionamiento -- Tabla de caudal máximo en la página 30.

L2058 Rev. C 03/12

L'esplosione delle parti di ricambio per questo prodotto è ottenibile sul sito web [www.enerpac.com](http://www.enerpac.com), oppure chiamando il Centro Assistenza Autorizzato a voi più vicino, o il ns. ufficio commerciale.

## 1.0 NOTA IMPORTANTE

Ispezionare visivamente tutti i componenti per identificare eventuali danni di spedizione e, se presenti, avvisare prontamente lo spedizioniere. I danni subiti durante la spedizione non sono coperti dalla garanzia vigente. Lo spedizioniere è il solo responsabile per i costi di riparazione o di sostituzione conseguenti a danni avvenuti durante la spedizione.

## 2.0 INFORMAZIONI SULLA SICUREZZA



Leggere attentamente tutte le istruzioni, le avvertenze e le precauzioni. Durante il funzionamento del sistema, rispettare tutte le norme di sicurezza onde evitare infortuni o danni all'apparecchiatura. L'Enerpac declina ogni responsabilità per danni risultanti da un uso improprio del prodotto, dalla mancata manutenzione o dall'applicazione errata del prodotto e del sistema. In caso di dubbio in materia di sicurezza o applicazioni, rivolgersi all'Enerpac. Se si richiedono informazioni sulle norme di sicurezza per sistemi idraulici ad alta pressione, rivolgersi al distributore o al centro di riparazione di zona in grado di fornire gratuitamente un corso di addestramento in materia di sicurezza idraulica autorizzato dalla Enerpac.

La mancata osservanza delle seguenti precauzioni potrebbe portare a seri danni all'apparecchiatura e a lesioni personali.

Una **PRECAUZIONE** indica le corrette procedure di azionamento o manutenzione per evitare danni all'apparecchiatura o all'ambiente circostante.

Un **AVVERTENZA** indica un potenziale pericolo che richiede la messa in pratica delle procedure corrette per evitare infortuni.

Un **PERICOLO** indica una situazione in cui un'azione o la mancanza di azione può causare gravi lesioni personali se non il decesso.



**AVVERTENZA:** Indossare un'attrezzatura di protezione appropriata durante il funzionamento dell'apparecchiatura.



**AVVERTENZA:** Stare lontano da carichi sospesi e sostenuti idraulicamente. Un cilindro utilizzato per sollevare un carico non deve mai essere impiegato anche per il loro sostegno. Dopo aver alzato o abbassato un peso, è necessario che questo venga sempre bloccato in maniera meccanica.



**PERICOLO:** Per evitare lesioni personali, durante la lavorazione tenere le mani e i piedi lontano dal cilindro e dal pezzo in lavorazione.



**AVVERTENZA:** Non superare mai la potenza nominale dell'apparecchiatura. Non tentare mai di sollevare un peso superiore alla capacità del cilindro, dato che il sovraccarico può causare guasti all'apparecchiatura e possibilmente infortuni all'operatore. I cilindri sono stati studiati per una pressione massima pari a 350 bar. Non collegare un martinetto o un cilindro a una pompa la cui pressione nominale è superiore.



**PERICOLO:** Non impostare mai la valvola di scarico a una pressione superiore a quella massima nominale della pompa. Un'impostazione superiore può arrecare danni all'apparecchiatura e/o provocare infortuni all'operatore. Non rimuovere la valvola di sicurezza.



**AVVERTENZA:** La pressione di esercizio del sistema non deve superare il valore nominale prefissato per il componente dalla pressione più bassa. Installare nel sistema un manometro per tenere sotto controllo la pressione di esercizio.



**PRECAUZIONE:** Evitare di arrecare danni al tubo idraulico flessibile. Evitare di piegare o arricciare il tubo flessibile durante l'uso, poiché gli strozzamenti possono provocare gravi contropressioni. Le piegature e gli strozzature acute possono danneggiare internamente il tubo flessibile e provocarne quindi un guasto prematuro.



**Non** lasciar cadere oggetti pesanti sul tubo flessibile, dato che l'impatto potrebbe danneggiarne i fili dell'armatura. La messa sotto pressione di un tubo flessibile danneggiato può causarne la rottura.



**IMPORTANTE:** Non sollevare apparecchiature idrauliche mediante il tubo flessibile o i giunti orientabili. Servirsi della maniglia per trasporto o di un altro mezzo di trasporto sicuro.



**PRECAUZIONE:** Tenere l'apparecchiatura idraulica lontano da fiamme e sorgenti di calore. Il calore eccessivo ammorbidisce guarniture e guarniture, provocando perdite di liquido. Il calore indebolisce altresì il materiale di cui è composto il tubo flessibile. Per garantire le migliori prestazioni, non esporre l'apparecchiatura a temperature superiori a 65°C (150°F). Proteggere i tubi flessibili e i cilindri da scintille o scaglie di saldatura.



**PERICOLO: Non maneggiare i tubi flessibili sotto pressione.** Eventuali fuoriuscite d'olio sotto pressione possono penetrare sotto la cute e provocare gravi lesioni. Se l'olio penetra sotto la pelle, rivolgersi immediatamente a un medico.



**AVVERTENZA: Utilizzare i cilindri idraulici solo se i raccordi del sistema sono debitamente accoppiati.** Se il sovraccarico del cilindro diventa eccessivo, i componenti possono guastarsi irreparabilmente e provocare gravi lesioni personali.



**IMPORTANTE:** Affidare la manutenzione delle apparecchiature idrauliche solamente a un tecnico specializzato. Per richiedere un intervento di assistenza, rivolgersi al centro di assistenza ENERPAC autorizzato di zona. Per usufruire dei termini di garanzia, utilizzare esclusivamente olio idraulico ENERPAC.

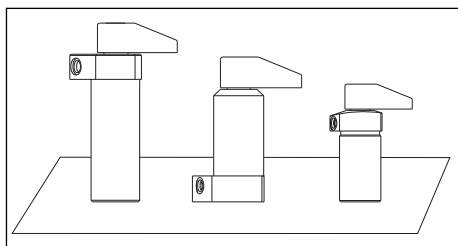


**AVVERTENZA:** Sostituire immediatamente le parti usurate o danneggiate con pezzi di ricambio ENERPAC originali. I pezzi di ricambio di qualità standard si potrebbero rompere più facilmente e arrecare danni alle persone e all'ambiente circostante. I pezzi di ricambio ENERPAC sono stati concepiti per adattarsi perfettamente al sistema e per sopportare condizioni di carico elevate.

### 3.0 DESCRIZIONE

Questi cilindri oscillanti sono realizzati in modo da poter ruotare di 90° in senso orario o antiorario. Possono anche essere impiegati in applicazioni di serraggio a moto rettilineo. I cilindri oscillanti sono disponibili ad effetto semplice e a doppio effetto.

I bracci di serraggio, non acclusi ai cilindri, possono essere acquistati separatamente oppure realizzati in base alle specifiche riportate a pagina 13.



Código de número de modelo						
1	2	3	4	5	6	Opzionale
S = Cilindro oscillante	T = Corpo filettato U = Flangia superiore L = Flangia inferiore	R = Rotazione a destra L = Rotazione a sinistra S = Rettilineo (nessuna rotazione)	S = Ad effetto semplice D = A doppio effetto	2 = 2,2 kN 5 = 5,6 kN	2 = Metrico	V = Viton

### DATI TECNICI

Dati relativi al cilindro			
Forza sviluppata [kN]		2,2	5,6
Corpo		Filettato, montaggio a flangia inferiore o superiore	
Tipo		Ad effetto semplice e a doppio effetto	
Corsa oleodinamica [mm]	serraggio	8,1	9,9
	totale	16,5	22,6
Area effettiva [cm <sup>2</sup> ]	serraggio	1,22	1,81
	rilascio	1,55	3,81
Capacità serbatoio olio [cm <sup>3</sup> ]	serraggio	4,59	10,3
	rilascio	9,67	20,2

**Dati di funzionamento — Tabella delle portate massime**

Vedi anche i diagrammi della forza di serraggio in funzione della lunghezza del braccio, pagina 10.

<b>2,2 kN — Lunghezza massima del braccio di serraggio: 76 mm</b>						
<b>Lunghezza braccio [mm]</b>	tiro rettilineo	25 braccio standard	38 esteso	51 esteso	64 esteso	76 esteso
<b>Portata max. [cc/min]</b>	197	197	98	98	98	98
<b>Pressione max. [bar]</b>	350	350	207	145	128	107
<b>Forza di serraggio [kN]</b>	2,6	2,2	1,2	0,8	0,7	0,5
<b>5,6 kN — Lunghezza massima del braccio di serraggio: 127 mm</b>						
<b>Lunghezza braccio [mm]</b>	tiro rettilineo	40 braccio standard	51 esteso	76 esteso	102 esteso	127 esteso
<b>Portata max. [cc/min]</b>	410	410	197	197	197	197
<b>Pressione max. [bar]</b>	350	350	262	172	131	103
<b>Forza di serraggio [kN]</b>	6,2	5,0	3,3	2,0	1,2	0,9

**4.0 INFORMAZIONI PRELIMINARI**

**IMPORTANTE:** la mancata osservanza delle seguenti istruzioni può causare malfunzionamenti del sistema o guasti al prodotto e può annullare la garanzia.

(1) Portate elevate possono causare velocità eccessive del cilindro e ne possono derivare danni al cilindro stesso. La pressione oleodinamica e la velocità del cilindro devono essere regolate in modo da adattarsi alla lunghezza del braccio di serraggio. Da tale lunghezza dipende anche la forza di serraggio. Vedere i dati di funzionamento riportati sopra.

(2) Utilizzare regolatori di portata con valvole di controllo del riflusso per mantenere la velocità dei cilindri oscillanti entro i valori nominali. Le suddette valvole sono di ausilio nel ridurre le pressioni inverse che possono causare malfunzionamenti al rilascio nei sistemi ad effetto semplice.

(3) Quando si impiegano cilindri oscillanti ad effetto semplice, limitare la pressione inversa di riflusso ad un massimo di 3,5 bar. L'uso di tubi di grande sezione (diametro esterno di 10 mm o maggiore) e di regolatori di flusso con valvole di controllo del riflusso libero è di ausilio nel ridurre al minimo la pressione inversa. Consultare la Enerpac riguardo ad un'appropriata progettazione del sistema.

(4) Eccessive pressioni inverse di riflusso possono danneggiare pure i cilindri oscillanti a doppio effetto. Limitare la pressione di riflusso ad un massimo di 42 bar. I sistemi a doppio effetto devono essere installati con regolatori di portata a riflusso libero nell'attacco di serraggio.

(5) Il serraggio del pezzo deve essere effettuato nel punto centrale della corsa verticale. Durante la rotazione del braccio oscillante non si deve verificare alcun serraggio del pezzo. Il braccio di serraggio deve muoversi liberamente durante la rotazione di 90° (evitare qualsiasi contatto con portafrese, utensili, ecc.).

(6) Il fissaggio del braccio di serraggio allo stantuffo del cilindro deve essere effettuato attenendosi alle istruzioni riportate a pagina 39.

**5.0 SPECIFICHE DI MONTAGGIO****5.1 Montaggio dei cilindri a corpo filettato**

I cilindri a corpo filettato possono essere inseriti in un foro filettato, assicurati ad un supporto fisso tramite una flangia di montaggio, avvitati in supporto fisso ed assicurati con un controdado oppure montati inserendoli in un foro passante ed assicurati con controdadi. Vedere pagina 10.

Quando si monta in un supporto fisso un cilindro oscillante a corpo filettato, l'accoppiamento dei filetti non deve essere minore di quello dei filetti di una flangia di montaggio Enerpac standard. Se si monta un cilindro usando solamente la parte inferiore dei filetti, si deve aumentare la lunghezza di accoppiamento per fornire supporto aggiuntivo. Vedere nella tabella che segue le lunghezze minime di accoppiamento dei filetti.

<b>Forza sviluppata dal cilindro</b>	<b>Lunghezza min. di accoppiamento filetti</b>
2,2 kN	13 mm
5,6 kN	13 mm

## 5.2 Montaggio dei cilindri a flangia superiore ed inferiore (Vedere pagina 11.)

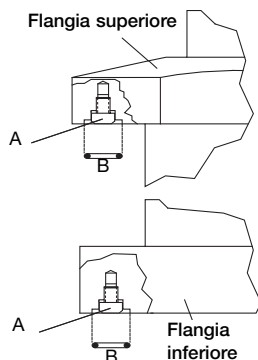


**AVVISO:** Quando si monta un cilindro a collettore, il supporto fisso deve poter resistere ad una pressione di funzionamento oleodinamica di 350 bar.

Prima di montare un cilindro oscillante a collettore, si devono rimuovere i tappi filettati degli attacchi (A) e le guarnizioni di rame.

Prima del montaggio e dell'imbullonamento del cilindro oscillante, lubrificare gli O-Ring (B) forniti ed inserirli in loro sede, di dimensioni maggiorate, intorno all'attacco.

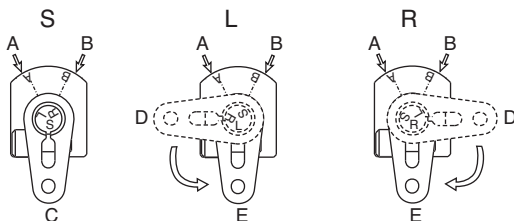
Fare attenzione a che, durante il montaggio, l'O-Ring non venga intaccato né danneggiato in altro modo, o ne possono derivare trafileamenti. Per assicurare che il montaggio del collettore sia a perfetta tenuta, verificare che la superficie di montaggio del supporto fisso presenti uno scostamento dalla planarità non superiore a 0,08 mm ed una rugosità non superiore a Ra 1,6.



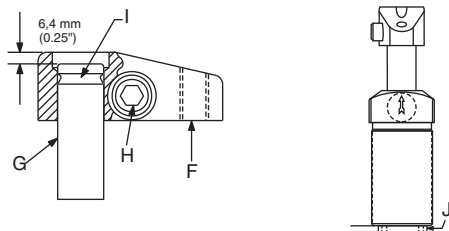
## 6.0 INSTALLAZIONE

Questi cilindri oscillanti sono realizzati in modo che si possa regolare la posizione del braccio di serraggio *dopo* aver montato il cilindro. Se si desidera cambiare il senso di rotazione, farlo *prima* di montare il cilindro.

### Cambiamento del senso di rotazione dello stantuffo (se lo si desidera)



S		L		R	
Rettilineo		Rotazione a sinistra		Rotazione a destra	
A	B	C	D	E	
Attacco di serraggio	Attacco di rilascio	Posizione di serraggio e di rilascio	Posizione di rilascio	Posizione di serraggi	



Per cambiare il senso di rotazione dello stantuffo, allineare la lettera sulla testa dello stantuffo stesso con la freccia sul lato del cilindro opposto agli attacchi. Fare riferimento alle figure e seguire la procedura qui riportata. È necessario disporre di una chiave a settore.

1. Posizionare il braccio (F) sullo stantuffo (G) in modo da ottenere un'impugnatura da utilizzare per spostare lo stantuffo stesso.

(a) Sbloccare il bullone del braccio di serraggio (H).

(b) Rimuovere l'anello di ritegno (I) e fare scorrere il braccio di serraggio in giù lungo lo stantuffo finché la sua parte superiore non sia a 6 mm dalla parte superiore dello stantuffo stesso.

(c) Serrare il bullone del braccio di serraggio. NON gettare via l'anello di ritegno.

2. Stringere la chiave intorno al tappo inferiore (J) del cilindro e ruotare il tappo (rivolto verso sé stessi) di 4 giri in senso antiorario.

**NOTA:** nel caso di cilindri ad effetto semplice, potrebbe essere necessario ruotare il tappo di più di 4 giri, per facilitare la diminuzione della tensione della molla di ritorno.

3. Agire sullo stantuffo premendo verso il basso e ruotarlo in modo da allineare la lettera desiderata (L, R o S) alla freccia sul lato del cilindro.

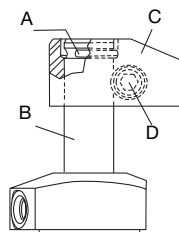
4. Ad allineamento effettuato, tirare lo stantuffo verso l'alto e serrare bene il tappo inferiore ruotandolo in senso orario di 4 giri.

## 6.2 Fissaggio del braccio di serraggio

1. Rimuovere l'anello di ritegno (A) dalla parte superiore dello stantuffo (B).

2. Fare scorrere il braccio di serraggio (C) in giù sullo stantuffo ed utilizzare una pinza per reinserire, spingendolo, l'anello di ritegno nella gola dello stantuffo. Orientare l'anello di ritegno in modo che l'apertura tra le sue estremità sia rivolta verso la parte posteriore del braccio di serraggio. Vedi figura.

3. Spostare il braccio di serraggio verso l'alto finché non riposi fermamente sull'anello di ritegno, nella posizione desiderata. Mantenendolo in questa posizione, serrare il bullone (D) alla coppia specificata nella tabella che segue.

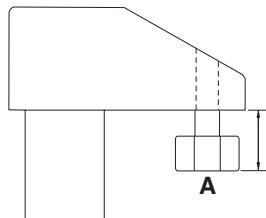


**ATTENZIONE: Una coppia di fissaggio inadeguata del bullone del braccio di serraggio può causare movimenti indesiderati del braccio durante il funzionamento. ACCERTARSI DI USARE BRUGOLE DI CLASSE 8 (12.9 DIN 912) (in dotazione con i bracci di serraggio standard).**

Coppia del bullone del braccio di serraggio	
Forza sviluppata dal cilindro	Coppia con lubrificazione
2,2 kN	16,3 to 20,3 Nm
5,6 kN	32,5 to 39,3 Nm

## 6.3 Bracci per corpi a flangia superiore

Per impiegare cilindri con corpo a flangia superiore, è necessario verificare che il bullone di contatto non possa toccare la flangia superiore durante il funzionamento. Il braccio di serraggio deve essere di lunghezza sufficiente perché il bullone di contatto non tocchi la flangia superiore mentre il braccio oscilla verso il basso. Problemi relativi al contatto tra bullone e flangia in genere si presentano quando la posizione finale di serraggio è sul lato del cilindro ed il bullone di contatto deve passare accanto alla parte anteriore o inferiore della flangia superiore mentre oscilla verso il basso. Per tali applicazioni potrebbe essere necessario utilizzare il braccio di serraggio serie CAL più lungo.



Lunghezza massima del bullone di contatto	
Forza sviluppata dal cilindro	Lunghezza massima
2,2 kN	19,1

**NOTA:** la lunghezza massima qui specificata vale solo per i modelli a flangia superiore da 2,2 kN.

## 6.4 Raccordi oleodinamici

Raccordare gli attacchi utilizzando raccordi di pressione nominale 350 bar.

NON usare sigillante per filetti. La tenuta è garantita dall'O-Ring montato sul risalto del raccordo. Lubrificare l'O-Ring prima del montaggio.

In fase di progettazione del circuito oleodinamico, considerare i fattori elencati nella sezione *INFORMAZIONI PRELIMINARI* a pagina 37. Per ulteriori informazioni sull'installazione di circuiti oleodinamici, consultare il catalogo Enerpac.

Attacchi del cilindro			
Forza sviluppata dal cilindro	Raccordo BSPP da 350 bar	Forza sviluppata dal cilindro	Raccordo BSPP da 350 bar
2,2 kN	G 1/8	5,6 kN	G 1/8

### Identificazione degli attacchi (Vedere pagina 12.)

## 7.0 FUNZIONAMENTO

I cilindri oscillanti ruotano di 90° durante la prima fase della corsa, continuando senza rotazione nella fase finale di serraggio. La corsa rettilinea discendente corrisponde alla corsa di serraggio del cilindro. La forza di serraggio deve essere applicata solo durante il movimento verticale, non durante quello rotatorio.



### ATTENZIONE:

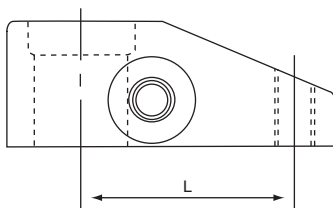
- Se si applica la forza di serraggio durante la fase rotatoria della corsa, ne risultano danni allo stantuffo interno.
- Per ottenere sicurezza e le massime prestazioni dal cilindro, verificare l'accurato serraggio e la perfetta tenuta di tutti i collegamenti oleodinamici, tubi flessibili e raccordi.
- Controllare che la pressione nominale di tutti i componenti sia adeguata a quelle che si sviluppano nel sistema. Componenti inadeguati non resisterebbero a pressioni eccessive; l'uso di tali componenti causa danni all'impianto e comporta il rischio di infortuni.

## 7.1 Tappo di sfiato

I cilindri ad effetto semplice sono dotati di un tappo di sfiato situato lateralmente (a sinistra osservando gli attacchi oleodinamici). Per evitare l'entrata di trucioli e refrigerante nel cilindro, non rimuovere il tappo. Se il tappo di sfiato è lambito continuamente dal refrigerante, collegare all'attacco di sfiato (utilizzando un raccordo BSPP) un tubo di lunghezza tale che il suo sbocco si trovi in una zona non contaminata dell'ambiente.

## 7.2 Pressione e portata

La lunghezza (L) del braccio di serraggio determina la pressione e la portata di funzionamento.



La sezione *Dati di funzionamento e Tabella delle portate massime*, a pagina 37, riporta i valori della lunghezza del braccio di serraggio, della pressione e della portata di funzionamento. Regolare la pressione e la portata in base ai limiti stabiliti dalla lunghezza del braccio di serraggio. Non eccedere i valori di pressione determinati dalla relazione forza-lunghezza. All'aumentare della lunghezza del braccio, diminuiscono sia la forza di serraggio che la massima pressione di funzionamento.



**ATTENZIONE:** È molto importante impiegare i corretti valori di pressione e portata. Il funzionamento fuori dei limiti specificati causa danni al cilindro oscillante. Eventuali danni causati dal superamento dei valori massimi di pressione e portata specificati **NON SONO COPERTI DALLA GARANZIA.**



## 8.0 MANUTENZIONE

Eseguire la manutenzione ogniqualvolta si notano usure o trafilementi. Controllare di tanto in tanto tutti i componenti, per individuare un qualsiasi problema che richieda interventi o manutenzione. La Enerpac offre kit di parti di riparazione pronti all'uso. Manuali delle parti di riparazione sono disponibili insieme ai disegni di montaggio e alla lista delle parti. Rivolgersi alla Enerpac.

**IMPORTANTE:** consultare il manuale delle parti di riparazione per informazioni sul corretto montaggio e smontaggio. Interventi e operazioni di manutenzione errati, come l'applicazione di coppie sbagliate, possono causare malfunzionamenti prodotto e/o infortuni.

## 9.0 RICERCA GUASTI

Le informazioni qui di seguito riportate sono solamente un aiuto per determinare se esiste un problema. Per assistenza tecnica, rivolgersi al Centro di assistenza autorizzato Enerpac più vicino alla propria sede.

Problema	Causa possibile	Soluzione
1. Il cilindro non serra/non rilascia.	A. Valvola di rilascio della pompa aperta B. Serbatoio della pompa senza olio C. Aria nel sistema D. Raccordi non serrati bene E. Linea oleodinamica bloccata F. Molla del cilindro rotta	A. Chiudere la valvola di rilascio della pompa. B. Riempire il serbatoio della pompa. C. Disaerare il sistema oleodinamico. D. Serrare bene i raccordi. E. Controllare le valvole di controllo, i raccordi e i tubi. F. Sostituire la molla.
2. Il cilindro avanza parzialmente	A. Livello dell'olio nella pompa basso B. Grippaggio dello stantuffo	A. Riempire il serbatoio della pompa. B. Sostituire le parti danneggiate — consultare <i>il manuale delle parti di riparazione</i> .
3. Il cilindro serra/rilascia più lentamente del normale.	A. Collegamento non a tenuta B. Linea oleodinamica strozzata C. Guasto della pompa	A. Serrare bene tutti i raccordi e i tubi. B. Controllare le valvole, i raccordi e i tubi. C. Consultare il manuale di istruzione della pompa.
4. Il cilindro serra/rilascia, ma non mantiene la pressione.	A. Guarnizioni danneggiate B. Collegamento non a tenuta C. Guasto della pompa	A. Sostituire le guarnizioni — consultare <i>il manuale delle parti di riparazione</i> . B. Serrare bene tutti i raccordi. C. Consultare il manuale di istruzione della pompa.
5. Il cilindro perde olio.	A. Guarnizioni danneggiate B. Stantuffo usurato o danneggiato	A. Sostituire le guarnizioni — consultare <i>il manuale delle parti di riparazione</i> . B. Sostituire le parti danneggiate — consultare il manuale delle parti di riparazione.
6. Il braccio di serraggio non effettua il movimento oscillatorio.	A. Braccio di serraggio allentato B. Stantuffo danneggiato	A. Riposizionare e fissare bene il braccio di serraggio — vedi <i>Fissaggio del braccio di serraggio</i> . B. Sostituire le parti danneggiate — consultare <i>il manuale delle parti di riparazione</i> .

## SPECIFICHE DELLA LAVORAZIONE A MACCHINA DEL BRACCIO DISERRAGGIO

Vedere pagina 13. Vedere la sezione *Pressione e portata*, a pagina 40, riguardo la corretta misurazione della lunghezza del braccio. Per determinare la massima forza di serraggio del braccio, consultare a pagina 37 la sezione *Dati di funzionamento o Tabella delle portate massime*.

L2058 Rev. C 03/12

Reparatie/Onderdelenlijsten voor deze producten zijn te downloaden van de Enerpac Website [www.enerpac.com](http://www.enerpac.com) of verkrijgbaar via uw Enerpac Service Centre of vertegenwoordiger.

## 1.0 BELANGRIJKE INSTRUCTIES BIJ ONTVANGST

Controleer visueel alle onderdelen op schade opgelopen tijdens de verzending. Schade opgelopen tijdens de verzending wordt niet door de garantie gedekt. Als schade opgelopen tijdens de verzending wordt gevonden, de transporteur hier onmiddellijk van op de hoogte stellen. De transporteur is verantwoordelijk voor alle reparatie- of vervangingskosten als gevolg van opgelopen schade tijdens de verzending.

### VEILIGHEID VOOROP

## 2.0 VEILIGHEIDSKWESTIES



Lees nauwkeurig alle instructies, waarschuwingen en let op-gedeelten. Volg alle veiligheidsvoorzieningen om persoonlijk letsel of schade aan eigendom te voorkomen als het systeem in werking is. Enerpac kan niet verantwoordelijk worden gesteld voor schade of letsels als gevolg van onveilig gebruik van dit product, gebrek aan onderhoud, of onjuiste toepassing van het product of het systeem. Neem contact op met Enerpac mocht u twijfels hebben over veiligheidsvoorzieningen en werkingen. Als u nooit een opleiding in hogedruk hydraulische veiligheid hebt gevolgd neem dan contact op met uw verdeel- of servicecentrum voor een gratis veiligheids cursus van Enerpac Hydraulics.

Het niet volgen van deze waarschuwingsboodschappen en voorzorgsmaatregelen kan schade aan de machine en persoonlijk letsel veroorzaken.

**LET OP** wordt gebruikt om correcte bedienings- en onderhoudsprocedures en praktijken aan te duiden om schade aan, of vernietiging van, machines of andere eigendom te voorkomen.

**WAARSCHUWING** wijst op een mogelijk gevaar dat de juiste procedures en praktijken vereist om persoonlijk letsel te voorkomen.

**GEVAAR** wordt enkel gebruikt als uw actie of gebrek aan actie ernstig letsel of zelfs de dood tot gevolg kan hebben.



**WAARSCHUWING:** Draag de juiste persoonlijke beschermende kleding bij het werken met hydraulische machines.



**WAARSCHUWING:** Blijf uit de buurt van ladingen die hydraulisch worden ondersteund. Een cilinder die wordt gebruikt als een hefinrichting mag nooit

worden gebruikt als een lasthouder. Nadat de lading omhoog of omlaag is gebracht, moet deze altijd mechanisch worden geblokkeerd.



**GEVAAR:** Om persoonlijk letsel te voorkomen, handen en voeten weghouden van de cilinder en het werkstuk tijdens de bediening.



**WAARSCHUWING:** Niet de nominale waarden van de machines overschrijden. Probeer nooit om een lading op te heffen die meer weegt dan de capaciteit van de cilinder. Overladen veroorzaakt falen van de machine en mogelijk persoonlijk letsel. De cilinders zijn ontworpen voor een maximale druk van 350 bar. Geen vizel of cilinder op een pomp aansluiten die een hogere drukwaarde heeft.



**GEVAAR: Nooit** de ontlastklep instellen op een hogere druk dan de maximaal nominale druk van de pomp. Hogere instellingen kunnen schade aan de machine en/of persoonlijk letsel tot gevolg hebben. Verwijder niet de ontlastklep.



**WAARSCHUWING:** De bedieningsdruk van het systeem mag de nominale drukwaarde van het onderdeel met de laagste waarde in het systeem niet overschrijden. Installeer drukmeters in het systeem om de bedieningsdruk te controleren. Op die manier weet u wat er in het systeem gebeurt.



**LET OP: De hydraulische slang niet beschadigen.** Vermijd ombuigen en knikken bij het aanbrengen van de hydraulische slangen. Een gebogen of geknikte slang gebruiken kan ernstige tegendruk van de afvoerstroom veroorzaken. Scherpe ombuigingen en knikken beschadigen de slang aan de binnenkant wat tot vroegtijdig falen van de slang kan leiden.



**Geen zware** objecten op de slang laten vallen. Een scherpe impact kan interne schade aan de draadvezels van de slang veroorzaken. Druk uitoefenen op een slang die beschadigd is, kan scheuren van de slang tot gevolg hebben.



**BELANGRIJK:** Hydraulische machines niet bij de slangen of de wartelkoppelingen opheffen. Gebruik de draaghandgreep of een ander middel om de machine veilig te transporteren.



**LET OP: Houd de hydraulische machine weg van vlammen en hitte.** Overmatige hitte verzacht de pakkingen en afdichtingen wat tot vloeistoflekken kan leiden. Hitte verzwakt ook slangmaterialen en pakkingen. Voor

optimale prestaties de machines niet blootstellen aan temperaturen van 65°C (150°F) of hoger. Bescherm slangen en cilinders tegen lasspeters.



**GEVAAR: Slangen die onder druk staan, niet aanraken.** Als olie die onder druk staat ontsnapt, kan het door de huid dringen wat ernstige letsel kan veroorzaken. Als olie onder de huid wordt geïnjecteerd, onmiddellijk een arts raadplegen.



**WAARSCHUWING: Gebruik hydraulische cilinders enkel in een aangesloten systeem.** Nooit een cilinder gebruiken met koppelingen die niet aangesloten zijn. Als de cilinder uiterst overladen is, kunnen onderdelen op een catastrofistische manier falen wat ernstig persoonlijk letsel kan veroorzaken.



**BELANGRIJK:** Hydraulische machines mogen enkel door een bevoegd hydraulisch technicus van onderhoud worden voorzien. Voor reparaties dient u contact op te nemen met een nabijgelegen bevoegd ENERPAC servicecentrum. Om uw garantie te beschermen, enkel ENERPAC olie gebruiken.

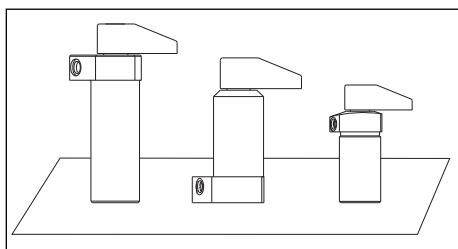


**WAARSCHUWING:** Versleten of beschadigde onderdelen onmiddellijk met authentieke ENERPAC onderdelen vervangen. Standaardonderdelen breken, wat tot persoonlijk letsel en schade aan eigendom kan leiden. ENERPAC onderdelen zijn zodanig ontworpen dat ze precies passen en hoge ladingen kunnen weerstaan.

### 3.0 BESCHRIJVING

Deze draaicilinders zijn ontworpen om zowel naar rechts als naar links 90° te draaien.

Zij kunnen ook gebruikt worden bij rechte klemtoepassingen. Er zijn enkelwerkende en dubbelwerkende cilinders verkrijgbaar. Bij de cilinders worden geen klemarmen geleverd. Klemarmen kunnen apart worden aangeschaft of volgens de specificaties op pagina 13 worden gemaakt.



Code modelnummer						
1	2	3	4	5	6	Optioneel
S = draai-cilinder	T = lichaam mety schroefdraad U = bovenflens L = onderflens	R = rechts-draaiend L = links-draaiend S = recht (geen draai)	S = enkelwerkend D = dubbelwerkend	2 = 2,2 kN 5 = 5,6 kN	2 = metriek	V = Viton

### SPECIFICATIES

Specificaties cilinder			
Capaciteit [kN]		2,2 (500)	5,6 (1250)
Type lichaam		lichaam met schroefdraad, onder- of bovenflensmontage	
Cilindertype		enkelwerkend en dubbelwerkend	
Hydraulische slag [mm]	klemmen	8,1	9,9
	totaal	16,5	22,6
Nuttig oppervlak [cm <sup>2</sup> ]	klemmen	1,22	1,81
	afspannen	1,55	3,81
Olie-inhoud [cm <sup>3</sup> ]	klemmen	4,59	10,3
	afspannen	9,67	20,2

<b>Bedrijfsspecificaties — Tabel maximale stroomsnelheid</b>						
Zie grafieken klemkracht -v- lengte arm, pagina 10.						
<b>2,2 kN (500 lb) — Maximale lengte klemarm is 76 mm</b>						
<b>Lengte arm [mm]</b>	recht trekken	25 standaard arm	38 uitgeschoven	51 uitgeschoven	64 uitgeschoven	76 uitgeschoven
<b>Max. stroom [cc/min]</b>	197	197	98	98	98	98
<b>Max. druk [bar]</b>	350	350	207	145	128	107
<b>Klemkracht [kN]</b>	2,6	2,2	1,2	0,8	0,7	0,5
<b>5,6 kN (1250 lb) — Maximale lengte klemarm is 127 mm</b>						
<b>Lengte arm [mm]</b>	trekken	40 standaard arm	51 uitgeschoven	76 uitgeschoven	102 uitgeschoven	127 uitgeschoven
<b>Max. stroom [cc/min]</b>	410	410	197	197	197	197
<b>Max. druk [bar]</b>	350	350	262	172	131	103
<b>Klemkracht [kN]</b>	6,2	5,0	3,3	2,0	1,2	0,9

#### 4.0 INLEIDENDE INFORMATIE

**BELANGRIJK:** Het niet lezen of niet opvolgen van deze instructies kan leiden tot defecten of storingen in het produkt, en kan uw garantie doen vervallen.

- (1) Hoge stroomsnelheden kunnen leiden tot overmatige cilindersnelheid, wat schade aan de cilinder tot gevolg kan hebben. De hydraulische druk en cilindersnelheid moeten aangepast worden aan de lengte van de klemarm. Ook de klemkracht varieert al naargelang de lengte van de klemarm. Raadpleeg bovenstaande bedrijfsspecificaties.
- (2) Er moeten stromingsregelingen met terugslagkleppen gebruikt worden om de snelheid van de draaicilinder te verlagen tot de aanbevolen snelheid. De terugslagkleppen helpen de tegendruk te minimaliseren, die tot niet goed functioneren van het afspannen bij enkelwerkende systemen kan leiden.
- (3) Beperk bij het gebruik van enkelwerkende draaicilinders de tegendruk bij terugstroom tot maximaal 3,5 bar. Slangen met een grote diameter (buitendiameter 10 mm of groter) en stromingsregelingen met 'free flow' terugslagkleppen helpen de tegendruk tot een minimum te beperken. Raadpleeg Enerpac voor een toepasselijk systeemontwerp.
- (4) Overmatige tegendruk bij terugstroom kan dubbelwerkende draaicilinders ook beschadigen. Beperk de tegendruk bij terugstroom tot maximaal 42 bar. Dubbelwerkende systemen moeten opgesteld worden met een dosering met 'free-flow' achteruit in de klempoort.
- (5) Het onderdeel dient geklemd te worden in het midden van het verticale traject. Het onderdeel mag niet geklemd worden terwijl de draaiklem draait. De klemarm moet tijdens de rotatie van 90° vrij bewegen (vermijd contact met snijkoppen, gereedschappen etc.).
- (6) De klemarm moet volgens de instructies op pagina 49 aan de cilinderplunjer bevestigd worden.

#### 5.0 MONTAGESPECIFICATIES

##### 5.1 Monteren van cilinders met schroefdraadlichaam

Cilinders met een schroefdraadlichaam kunnen in een getapt gat worden geschroefd, met behulp van een montageflens aan het appendage worden bevestigd, in het appendage worden geschroefd en met een tegenmoer vastgezet of door een opening worden gemonteerd en met tegenmoeren worden vastgezet. Zie pagina 10.

Wanneer een draaicilinder van het type met schroefdraadlichaam in een appendage wordt geïnstalleerd, mag het ingrijpen van de schroefdraad niet minder zijn dan het ingrijpen van de schroefdraad bij de standaard montageflens van Enerpac. Als een cilinder wordt gemonteerd met behulp van alleen het onderste gedeelte van de schroefdraad, moet het ingrijpen voor extra steun worden vergroot. Zie onderstaande tabel voor minimaal ingrijpen van schroefdraad.

Cilindercapaciteit	Minimaal ingrijpen van schroefdraad
2,2 kN	13 mm
5,6 kN	13 mm

## 5.2 Monteren van onder- en bovenflens van cilinders (Zie pagina 11.)



**WAARSCHUWING:** Het appendage moet 350 bar hydraulische werkdruk kunnen weerstaan wanneer de cilinders op het verdeelstuk zijn gemonteerd.

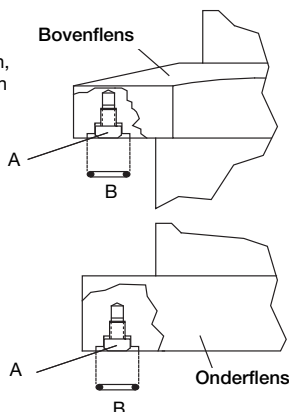
Voor dat een draaicilinder op een verdeelstuk gemonteerd kan worden, moeten de poortschroefstoppen (A) en de koperen pakkingen worden verwijderd.

De bijgeleverde O-ringen (B) moeten worden gesmeerd en voorafgaand aan het monteren en vastbouten van de draaicilinder in de verzonken boring rond de poort worden geïnstalleerd.

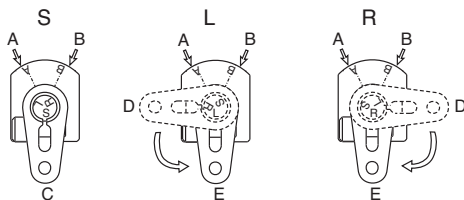
Zorg ervoor dat de O-ring tijdens het monteren niet bekneld of beschadigd raakt, aangezien dit lekkage tot gevolg kan hebben. Om lekkage van de montage op het verdeelstuk te voorkomen, moet het montageoppervlak van het appendage een vlakheid binnen 0,08 mm en een ruwheid van niet meer dan Ra 1,6 hebben.

## 6.0 INSTALLATIE

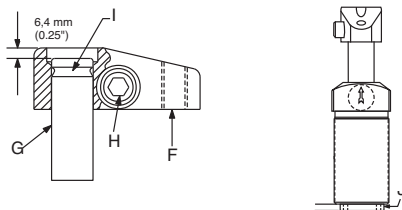
Deze draaicilinders zijn zodanig ontworpen dat u de stand van de klemarm kunt instellen nadat u de cilinder heeft gemonteerd. Indien u de draairichting moet veranderen, moet dit *voorafgaand* aan de montage van de cilinder gebeuren.



## 6.1 Veranderen van draairichting van plunjier (indien nodig)



S		L		R
Recht		Linksdraaiend		Rechtsdraaiend
A	B	C	D	E
Klemport	Afspanport	Klem- en afspanstand	Afspanstand	Klemstand



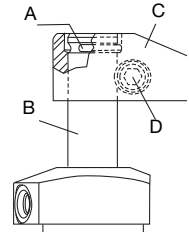
Verander de draairichting van de plunjer door de letter bovenop de plunjer op één lijn te brengen met de pijl aan de zijkant van de cilinder tegenover de poorten. Raadpleeg de onderstaande afbeeldingen en procedure voor het veranderen van de draairichting. U heeft hiervoor een engelse sleutel nodig.

- Plaats de arm (F) op de plunjer zodanig dat deze als handvat dient voor het bewegen van de plunjer (G).
  - Maak de bout (H) van de klemarm los.
  - Verwijder de borgring (I) en schuif de klemarm over de plunjer naar beneden totdat de bovenkant van de arm 6 mm van het bovenzvlak van de plunjer verwijderd is
  - Draai de bout van de klemarm vast. Gooi de borgring NIET weg.
- Plaats de engelse sleutel op de onderste cilinderstop (J) en draai de stop (naar u gericht) 4 slagen naar links.
 

**N.B.:** Bij enkelwerkende cilinders is het mogelijk dat de onderste stop meer dan 4 slagen gedraaid moet worden om de spanning op de terugloopveer te ontlasten.
- Oefen neerwaartse druk uit op de plunjer en draai hem zodanig dat de gewenste letter (L, R, S) op één lijn ligt met de pijl aan de zijkant van de cilinder.
- Wanneer de letter en de pijl eenmaal op één lijn liggen, trekt u de plunjer omhoog, draait u de onderste stop 4 slagen (naar rechts) en draait u deze stevig vast.

## 6.2 Bevestigen van de klemarm

- Verwijder de borgring (A) uit de bovenkant van de plunjer (B).
- Schuif de klemarm (C) over de plunjer naar beneden en gebruik een tang om de borgring terug op de plunjergroef te duwen. Draai de borgring zodanig dat de spleet in de borgring naar de achterkant van de klemarm wijst. Zie afbeelding.
- Breng de klemarm omhoog totdat deze zich stevig in de gewenste stand tegen de borgring bevindt. Terwijl u deze stand handhaaft, draait u de bout (D) van de klemarm aan tot het onderstaande aandraaimoment.

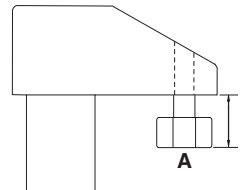


**OPGELET:** Wanneer de bout van de klemarm niet voldoende is aangedraaid, kan de arm tijdens gebruik slippen. **ZORG ERVOOR DAT U INBUSTAPBOUTEN VAN STERKTEKWALITEIT 8 (12.9 DIN 912) GEBRUIKT** (worden bij standaard klemarmen geleverd.)

Aandraaimoment klemarmbout	
Cilindercapaciteit	Gesmeerd aandraaimoment
2,2 kN	16,3 to 20,3 Nm
5,6 kN	32,5 to 39,3 Nm

## 6.3 Armen voor type met bovenflens

Voor het gebruik van cilinders met bovenflens moet u er zeker van zijn dat de contactbout de bovenflens tijdens bedrijf niet raakt. De klemarm moet lang genoeg zijn dat de contactbout de bovenflens niet raakt wanneer de arm naar beneden draait. Problemen met onvoldoende speling komen het meeste voor wanneer de uiteindelijke klemstand zich aan de zijkant van de cilinder bevindt en de contactbout langs de voor- of achterkant van de bovenflens moet lopen tijdens het naar beneden draaien. Mogelijk moet u de langere klemarm van de serie CAL bij deze toepassingen gebruiken.



Maximale lengte contactbout	
Cilindercapaciteit	Maximale lengte
2,2 kN	19,1
<b>N.B.:</b> De maximale lengte die hier is opgegeven, is alleen van toepassing op bovenflensmodellen van 2,2 kN.	

## 6.4 Hydraulische verbindingen

Installeer voor het maken van de poortverbindingen fittingen die geschikt zijn voor een druk van 350 bar.

Gebruik GEEN draadafdichtmiddel. Afdichting wordt verkregen door het gebruik van een O-ring op de nok van de fitting. Smeer de O-ring vóór de montage.

Neem bij het ontwerp van uw hydraulisch circuit de factoren in overweging die vermeld zijn in *INLEIDENDE INFORMATIE* op pagina 44. Voor meer informatie over het aansluiten van hydraulische circuits kunt u uw Productieautomatiseringscatalogus van Enerpac raadplegen.

Cilinderpoorten			
Cilindercapaciteit	350 bar BSPP Fitting	Cilindercapaciteit	350 bar BSPP Fitting
2,2 kN	G 1/8	5,6 kN	G 1/8

Identificatie poorten (Zie pagina 12.)

## 7.0 WERKING

Draaicilinders draaien gedurende het eerste gedeelte van de slag 90° en lopen zonder rotatie verder voor de uiteindelijke klemslag. De slag recht naar beneden is de klemslag van de cilinder. Klemkracht mag alleen tijdens het verticale traject worden toegepast, niet gedurende de draai beweging.



### OPGELET

— Wanneer er klemkracht wordt uitgeoefend tijdens het draaigedeelte van de slag, is interne beschadiging van de plunjer het resultaat.

- Controleer voor maximale cilinderprestaties en maximale veiligheid of alle hydraulische verbindingen, slangen en fittingen goed afgedicht en vast aangedraaid zijn.
- Verzeker u ervan dat alle onderdelen de nominale systeemdrukken kunnen weerstaan. Onderdelen die niet aan de nominale waarden voldoen, weerstaan de hogere drukken niet. Het gebruik van dergelijke onderdelen leidt tot beschadiging van de apparatuur en mogelijk lichamelijk letsel.

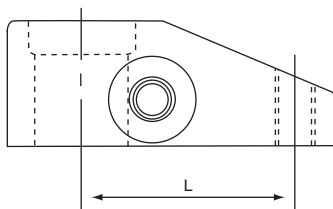
### 7.1 Ontluchtingsstop

Enkelwerkende cilinders hebben een ontluchtingsstop die zich aan de linkerkant van de cilinder bevindt wanneer u vóór de hydraulische poorten staat. De ontluchtingsstop mag niet worden verwijderd om het binnenkomen van schilfers en koelvloeistof te voorkomen. Als de ontluchtingsstop voortdurend wordt blootgesteld aan koelvloeistof, bevestigt u met behulp van een BSPP-fitting een slang aan de poort en leidt u de slang naar een niet verontreinigd gedeelte van het appendage.

### 7.2 Druk en stroomsnelheid

De lengte (L) van de klemarm bepaalt de instelling van de bedrijfsdruk en de stroomsnelheid.

Raadpleeg Bedrijfsspecificaties - Tabel maximale stroomsnelheid op pagina 46 voor de lengte van de klemarm, de drukinstelling en de stroomsnelheid. Stel de bedrijfsdruk en de stroomsnelheid in volgens de grenzen die bepaald worden door de lengte van de klemarm. Overschrijd de drukverhouding belasting-lengte niet. Hoe langer de arm, des te kleiner de klemkracht en de maximale bedrijfsdruk.



**OPGELET:** Het is zeer belangrijk dat u de juiste instelling voor druk en stroming gebruikt. Wanneer u buiten deze grenzen werkt, is beschadiging van de draaicilinder het gevolg. Schade die het resultaat is van het overschrijden van de nominale druk en de maximale stroming wordt NIET DOOR DE GARANTIE GEDEKT.

## 8.0 ONDERHOUD

Onderhoud is vereist wanneer slijtage of lekkage wordt opgemerkt. Inspecteer zo nu en dan alle onderdelen om eventuele problemen op te sporen die onderhoud of reparaties vereisen. Enerpac levert Reparatie-onderdelensets die klaar zijn voor gebruik. Er zijn Reparatie-onderdelenbladen verkrijgbaar met montage-tekening en onderdelenlijst. Neem hiervoor contact op met Enerpac.

**BELANGRIJK:** Raadpleeg het Reparatie-onderdelenblad voor service-informatie over de juiste montage en demontage. Onjuist onderhoud of onjuiste reparaties zoals verkeerde aandraaimomenten kunnen defecten aan het produkt en/of lichamelijk letsel veroorzaken.

## 9.0 OPLOSSEN VAN STORINGEN

De volgende informatie is alleen bedoeld als hulpmiddel bij het vaststellen van een eventueel probleem. Neem voor reparatie-service contact op met uw distributeur of een erkend technisch servicecentrum van Enerpac.

Probleem	Mogelijke oorzaak	Oplossing
1. Cilinder klemt niet /spant niet af.	A. pompontlastklep open B. geen olie in pompreservoir C. lucht in het systeem D. koppelingen niet goed aangedraaid E. hydraulische lijn geblokkeerd F. gebroken veer in cilinder	A. sluit pompontlastklep B. vul pompreservoir C. verwijder lucht uit hydraulische systeem D. draai koppelingen opnieuw aan E. controleer kleppen, fittingen en slangen F. vervang veer
2. Cilinder loopt slechts gedeeltelijk uit.	A. oliepeil in pomp te laag B. plunjer loopt vast	A. vul pompreservoir B. vervang beschadigde onderdelen — raadpleeg <i>Reparatie-onderdelenblad</i>
3. Cilinder klemt/ spant langzamer dan normaal af.	A. lekkende verbinding B. belemmerde hydraulische leiding C. storing pomp	A. draai fittingen, koppelingen en slangen opnieuw aan B. controleer kleppen, fittingen en slangen C. raadpleeg de pomphandleiding
4. Cilinder klemt/ spant af, maar blijft niet op druk.	A. afdichtingen beschadigd B. lekkende verbinding C. storing pomp	A. vervang afdichtingen — raadpleeg <i>Reparatie-onderdelenblad</i> B. draai fittingen, koppelingen en slangen opnieuw aan C. raadpleeg de pomphandleiding
5. Cilinder lekt olie.	A. afdichtingen beschadigd B. plunjer versleten of beschadigd	A. vervang afdichtingen — raadpleeg <i>Reparatie-onderdelenblad</i> B. vervang beschadigde onderdelen — raadpleeg <i>Reparatie-onderdelenblad</i>
6. Klemarm maakt geen draaibeweging	A. klemarm los B. plunjer beschadigd	A. positioneer en draai klemarm opnieuw aan — zie <i>Bevestigen van de klemarm</i> B. vervang beschadigde onderdelen — raadpleeg <i>Reparatie-onderdelenblad</i>



**To maintain your warranty:**

- Use only Enerpac Oil
- Have your products inspected and repaired by an Enerpac Authorized Service Center

**ENERPAC** 

Visit [www.enerpac.com](http://www.enerpac.com)  
for the Enerpac Authorized Service Center nearest you