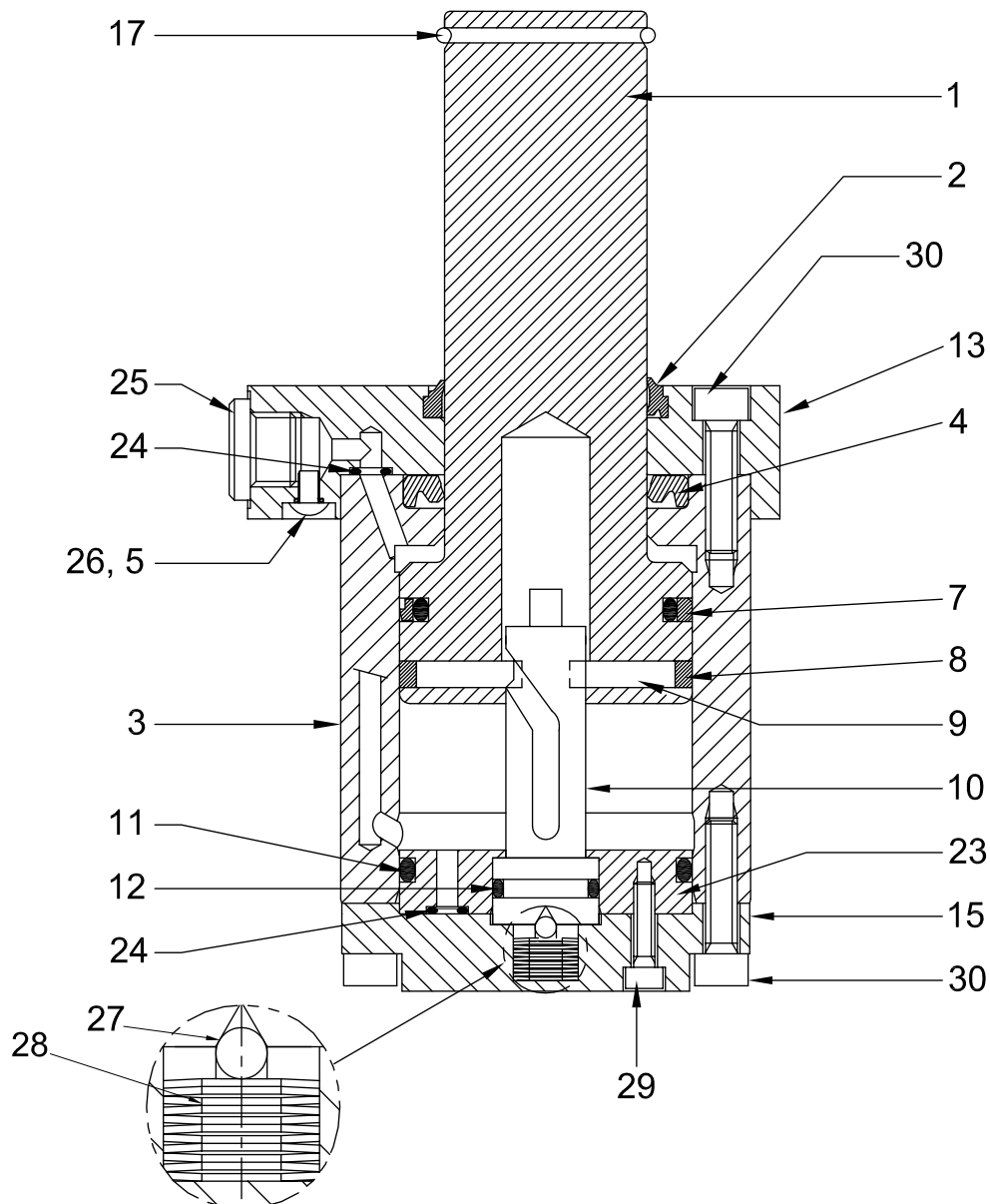


MODEL NUMBER CODE

- | | | | | | | | |
|--|---|--------------------------------------|----------------------|-------------------|---------------------|---|--------------------------|
| 1 | 2 | 3 | 4 | 5 | 6 | 7 | 8 |
| 1. S = swing cylinder
2. U = upper flange | | 3. R = right swing
L = left swing | 4. D = double-acting | 5. L = longstroke | 6. 35 = 35 kN force | 7. 1 = imperial body type
2 = metric body type | 8. V = Viton seal option |

1. Lubricate all seals with Lubriplate prior to assembly.
2. Torque item 5 to 22-26 *in.-lbs.* [2,5-3 Nm].
3. Torque item 29 to 37-44 *in.-lbs.* [4,2-5 Nm].
4. Torque item 30 to 11-12.5 *ft.-lbs.* [15-17 Nm].



To Protect Your Warranty, Use Only ENERPAC Hydraulic Oil.

Enerpac recommends that all kit components be installed to insure optimum performance of the repaired product.

REPAIR PARTS LIST FOR 35 KN LONG STROKE SWING CYLINDERS

Item No.	Standard Part Number	Viton Part Number	Qty.	Description
1	DA11232040	DA11232040	1	Plunger
2	★CZ297041	*CZ298041	1	Wiper
3	DA11998005	DA11998005	1	Base
4	★DW1040041 (not available)	(not available) *CZ299041	1 1	U-Cup Stepseal
5	CBA411028-1E	CBA411028-1E	4	HSRH Screw
7	★CZ307041	*CZ300041	1	Glydring
8	★CZ324071	*CZ324071	2	Nylon Disc
9	CZ308061	CZ308061	2	Needle
10	DA11231149	DA11231149	1	Index Rod (left)
	DA12026149	DA12026149	1	Index Rod (right)
11	★B1225903	*B1225203	1	O-Ring
12	★B1113803	*B1113203	1	O-Ring
13	CZ314004	CZ314004	1	Upper Flange (metric)
	CZ319004	CZ319004	1	Upper Flange (imperial)
15	CZ303044	CZ303044	1	End Plate
17	★CZ310044	*CZ310044	1	Snap Ring
23	CZ325225	CZ325225	1	Insert
24	★B1008803	*B1008203	3	O-Ring
25	CS235006	F100006-1	2	BSPP Plug
	B1003006	B1003006V	2	SAE Plug
26	★CZ391041	*CZ397041	4	O-Ring
27	CAA429061-2A	CAA429061-2A	1	Dowel Pin
28	CZ385110	CZ385110	10	Spring Disc
29	CCA419028-1A	CCA419028-1A	3	HSHC Screw
30	CCA621028-1A	CCA621028-1A	20	HSHC Screw
31	★CZ392041	*CZ398041	2	O-Ring (not shown)
32	CCA1025028-1A	CCA1025028-1A	4	SHC Screw (metric) (not shown)
	B1072028	B1072028	4	SHC Screw (imperial) (not shown)

★ Indicates Items included in and available only as part of Repair Kit SD352K.
* Indicates Items included in and available only as part of Repair Kit SD352KV.

Notes - Item #4:

- For older cylinders equipped with standard seals, a U-Cup (part number DW1040041) replaces the stepseal (part number CZ306041) that was previously used.
- For all cylinders equipped with Viton seals, the stepseal (part number CZ299041) continues in use.



POWERFUL SOLUTIONS. GLOBAL FORCE.

◆ e-mail: info@enerpac.com

◆ internet: www.enerpac.com