

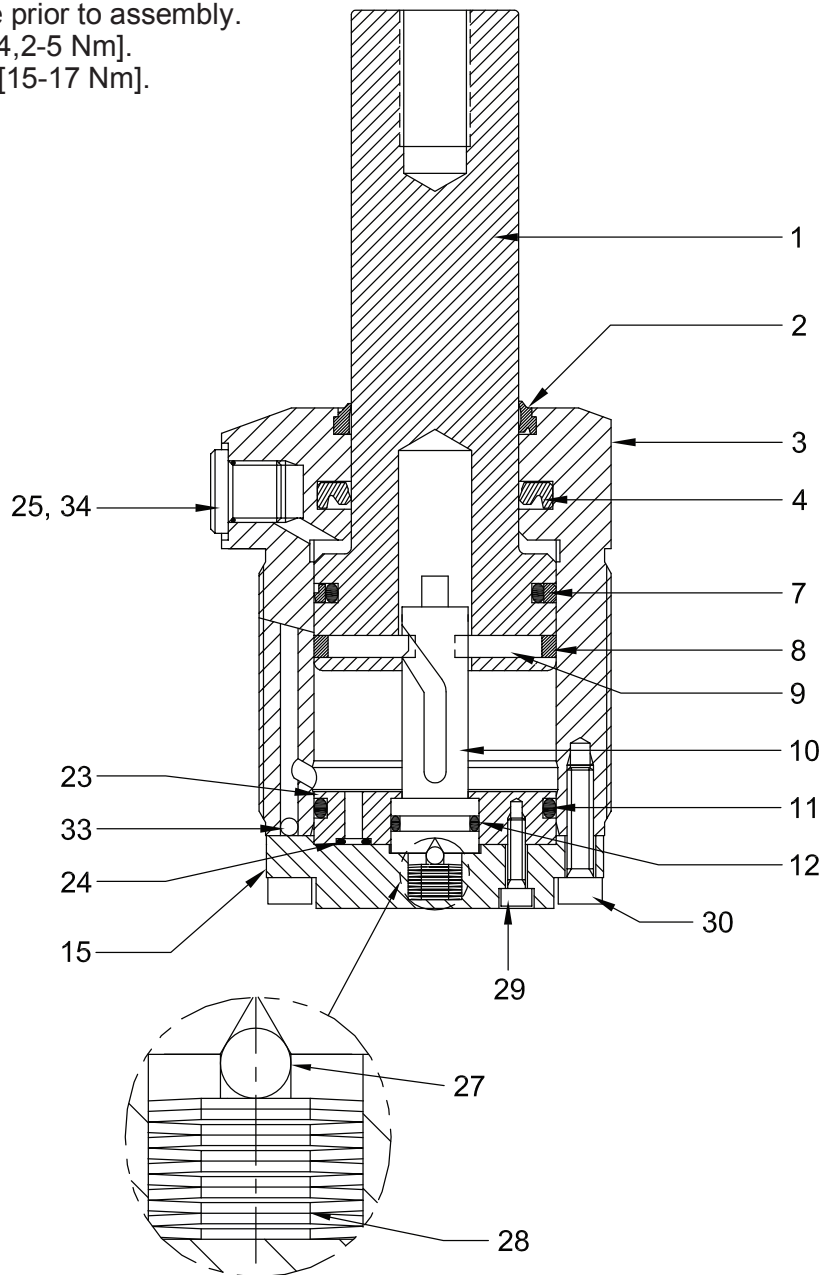
MODEL NUMBER CODE

- | | | | | | | |
|----------------------|-------------------------|--------------------------|----------|----------|------------|----------|
| 1 | 2 | 3 | 4 | 5 | 6 | 7 |
| 1. P = Pull cylinder | 3. S = Straight retract | 6. 1 = Imperial | | | 2 = Metric | |
| 2. T = Threaded body | 4. D = Double-acting | 7. V = Viton seal option | | | | |
| U = Upper flange | 5. 35 = 35 kN force | | | | | |
| L = Lower flange | | | | | | |

NOTE: You may need special tools to reassemble these pull cylinders. Tool drawings are available on request from Enerpac. To obtain tool drawings, contact the Enerpac Technical Services Department at 1-800-433-2766. Please be prepared to provide the Model Number and the Manufacturing Date Code of each swing cylinder being serviced.

THREADED BODY MOUNTING STYLE

1. Lubricate all seals with Lubriplate prior to assembly.
2. Torque item 29 to 37-44 in.-lbs. [4,2-5 Nm].
3. Torque item 30 to 11-12.5 ft.-lbs. [15-17 Nm].

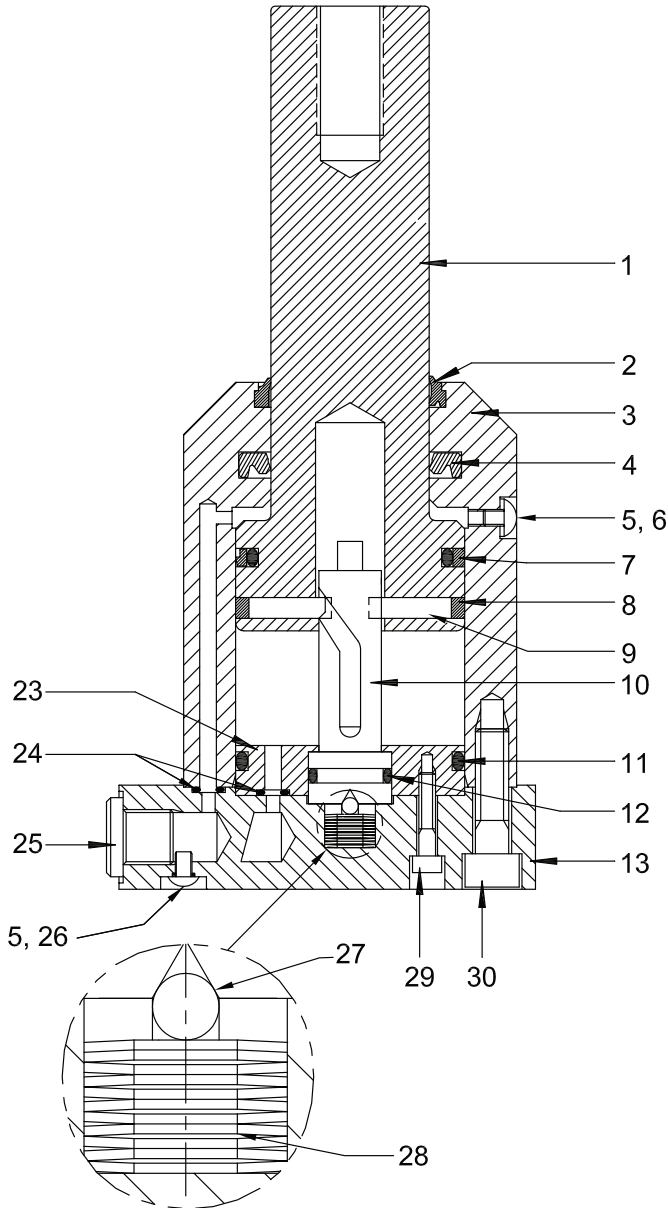


To Protect Your Warranty, Use Only ENERPAC Hydraulic Oil.

Enerpac recommends that all kit components be installed to insure optimum performance of the repaired product.

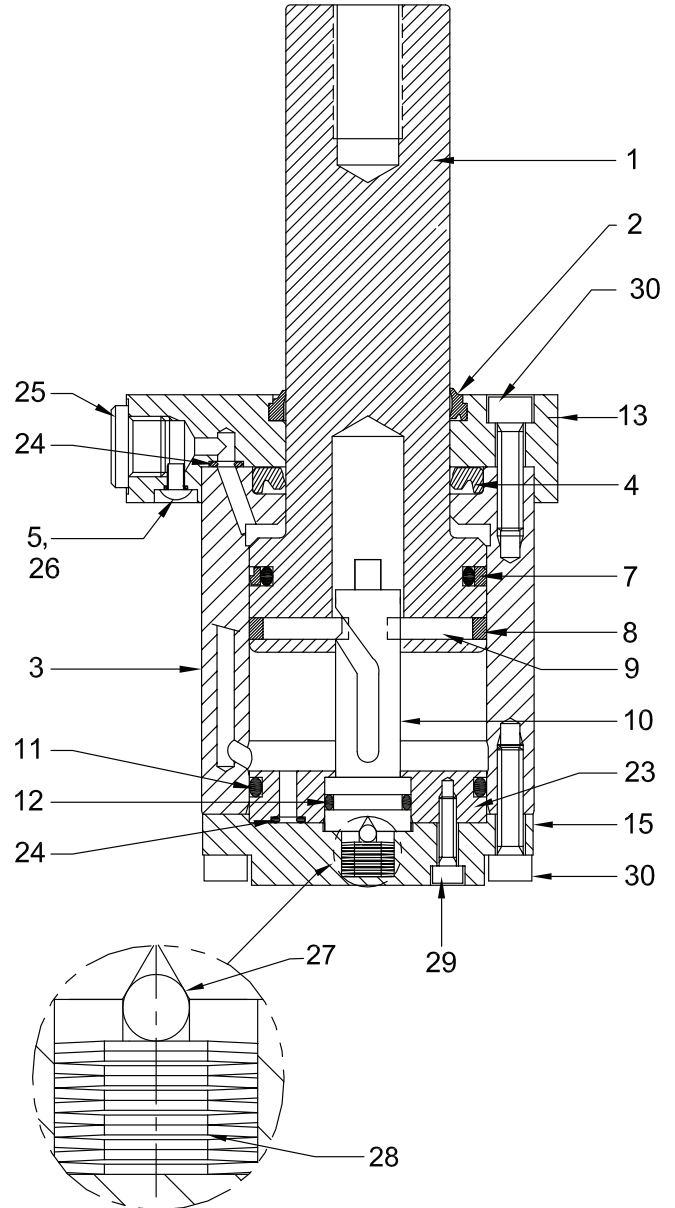
Lower Flange Mounting Style.

1. Lubricate all seals with Lubriplate prior to assembly.
2. Torque item 26 to 22-26 *in.-lbs.* [2,5-3 Nm].
3. Torque item 29 to 31-40 *in.-lbs.* [3,5-4,5 Nm].
4. Torque item 30 to 26-29 *ft.-lbs.* [35-40 Nm].



Upper Flange Mounting Style.

1. Lubricate all seals with Lubriplate prior to assembly.
2. Torque item 26 to 22-26 *in.-lbs.* [2,5-3 Nm].
3. Torque item 29 to 37-44 *in.-lbs.* [4,2-5 Nm].
4. Torque item 30 to 11-12.5 *ft.-lbs.* [15-17 Nm].



REPAIR PARTS LIST FOR 35 KN PULL CYLINDERS

Item No.	Standard Part Number	Viton Part Number	Qty.	Description
1	DA11905040	DA11905040	1	Plunger
2	★ CZ297041	* CZ298041	1	Wiper
3	CZ301030	CZ301030	1	Base (threaded body)(metric)
	CZ317030	CZ317030	1	Base (threaded body)(imperial)
	CZ311030	CZ311030	1	Base (lower flange)(metric)
	CZ311030	CZ311030	1	Base (lower flange)(imperial)
	CZ313030	CZ313030	1	Base (upper flange)(metric)
	CZ313030	CZ313030	1	Base (upper flange)(imperial)
4	★ DW1040041 (not available)	(not available)	1	U-Cup
		* CZ299041	1	Stepseal
5	CBA411028-1E	CBA411028-1E	4	HSRH Screw
6	CYA450041-1A	CYA450041-1A	1	Multiseal (lower flange)
7	CZ307041	* CZ300041	1	Glydring
8	★ CZ324071	* CZ324071	2	Nylon Disc
9	CZ308061	CZ308061	2	Needle
10	CZ327149	CZ327149	1	Index Rod
11	★ B1225903	* B1225203	1	O-Ring
12	★ B1113803	* B1113203	1	O-Ring
13	CZ312004	CZ312004	1	Lower Flange (metric)
	CZ318004	CZ318004	1	Lower Flange (imperial)
	CZ314004	CZ314004	1	Upper Flange (metric)
	CZ319004	CZ319004	1	Upper Flange (imperial)
15	CZ303044	CZ303044	1	End Plate
23	CZ325225	CZ325225	1	Insert
24	B1008803	B1008203	1	O-Ring (threaded body)
	★ B1008803	B1008203	2	O-Ring (lower flange)
	B1008803	* B1008203	3	O-Ring (upper flange)
25	CS235006	F100006-1	2	BSPP Plug
	B1003006	B1003006V	2	SAE Plug
26	★ CZ391041	* CZ391041	4	O-Ring
27	CAA429061-2A	CAA429061-2A	1	Dowel Pin
28	CZ385110	CZ385110	11	Spring Disc
29	CCA421028-1A	CCA421028-1A	3	HSHC Screw (lower flange)
	CCA419028-1A	CCA419028-1A	3	HSHC Screw
30	CCA621028-1A	CCA621028-1A	10	HSHC Screw (threaded body)
	CCA823028-1A	CCA823028-1A	8	HSHC Screw (lower flange)
	CCA621028-1A	CCA621028-1A	20	HSHC Screw (upper flange)
31	★ CZ392041	* CZ398041	2	O-Ring
32	CCA1025028-1A	CCA1025028-1A	4	SHC Screw (metric)
	B1072028	B1072028	4	SHC Screw (imperial)
33	B1004016	B1004016	1	Ball (threaded body)
34	B1219503	B1219503	2	O-Ring
★ Indicates Items included in Repair Kit SD352K (double-acting).				
* Indicates Items included in Repair Kit SD352KV (double-acting).				

Notes - Item #4:

- For older cylinders equipped with standard seals, a U-Cup (part number DW1040041) replaces the stepseal (part number CZ306041) that was previously used.
- For all cylinders equipped with Viton seals, the stepseal (part number CZ299041) continues in use.

Enerpac Worldwide Locations

◆ e-mail: info@enerpac.com

◆ internet: www.enerpac.com

Africa
ENERPAC Middle East FZE
Office 423, JAFZA 15
P.O. Box 18004
Jebel Ali, Dubai
United Arab Emirates
Tel: +971 (0)4 8872686
Fax: +971 (0)4 8872687

**Australia, New Zealand
Actuant Australia Ltd.**
Block V Unit 3
Regents Park Estate
391 Park Road
Regents Park NSW 2143
(P.O. Box 261) Australia
Tel: +61 297 438 988
Fax: +61 297 438 648

Brazil
Power Packer do Brasil Ltda.
Rua dos Inocentes, 587
04764-050 - Sao Paulo (SP)
Tel: +55 11 5687 2211
Fax: +55 11 5686 5583
Toll Free in Brazil:
Tel: 0800 891 5770
vendasbrasil@enerpac.com

Canada
Actuant Canada Corporation
6615 Ordan Drive, Unit 14-15
Mississauga, Ontario L5T 1X2
Tel: +1 905 564 5749
Fax: +1 905 564 0305
Toll Free:
Tel: +1 800 268 4987
Fax: +1 800 461 2456
Technical Inquiries:
techservices@enerpac.com

China
Actuant Industries Co. Ltd.
No. 6 Nanjing Road
Taicang Economic Dep Zone
Jiangsu, China
Tel: +86 0512 5328 7529
+86 0512 5328 7500 7529
Fax: +86 0512 5335 9690

Actuant China Ltd. (Peking)
709B Diyang Building
Xin No. 2
Dong San Huan North Rd.
Beijing City
100028 China
Tel: +86 10 845 36166
Fax: +86 10 845 36220

**France, Switzerland
francophone**
ACTUANT - ENERPAC
France S.A., ZA de Courtaboeuf
32, avenue de la Baltique
91140 Villebon / Yvette
France
Tel: +33 1 60 13 68 68
Fax: +33 1 69 20 37 50

**Germany, Austria, Switzerland,
Greece, Baltic States, Central
and Eastern Europe**
ENERPAC GmbH
P.O. Box 300113
D-40401 Düsseldorf
Willstätterstrasse 13
D-40549 Düsseldorf
Germany
Tel: +49 211 471 490
Fax: +49 211 471 49 28

India
ENERPAC Hydraulics
(India) Pvt. Ltd.
No. 1A,
Peenya Industrial Area,
IInd Phase
Bangalore, 560 058 India
Tel: +91 80 40 792 777
Fax: +91 80 40 792 792

Italy
ENERPAC S.p.A.
Via Canova 4
20094 Corsico (Milano)
Tel: +39 02 4861 111
Fax: +39 02 4860 1288

Japan
Applied Power Japan LTD KK
Besshochou 85-7
Kita-ku,
Saitama-shi 331-0821
Japan
Tel: +81 48 662 4911
Fax: +81 48 662 4955

**Middle East, Turkey and
Caspian Sea**
ENERPAC Middle East FZE
Office 423, JAFZA 15
P.O. Box 18004
Jebel Ali, Dubai
United Arab Emirates
Tel: +971 (0)4 8872686
Fax: +971 (0)4 8872687

**Russia and CIS
(excl. Caspian Sea Countries)**
Actuant LLC
Admiral Makarov Street 8
125212 Moscow, Russia
Tel: +7-495-9809091
Fax: +7-495-9809092

**Sweden, Denmark, Norway,
Finland and Iceland**
ENERPAC Scandinavia AB
Fabriksgatan 7
412 50 Gothenburg
Sweden
Tel: +46 31 7990281
Fax: +46 31 7990010
scandinavianinquiries@enerpac.com

Singapore
Actuant Asia Pte. Ltd.
37C, Benoi Road Pioneer Lot,
Singapore 627796
Tel: +65 68 63 0611
Fax: +65 64 84 5669
Toll Free: +1800 363 7722
Technical Inquiries:
tech.service-sg@enerpac.com

South Korea
Actuant Korea Ltd.
3Ba 717,
Shihwa Industrial Complex
Jungwang-Dong, Shihung-Shi,
Kyunggi-Do
Republic of Korea 429-450
Tel: +82 31 434 4506
Fax: +82 31 434 4507

Spain and Portugal
ENERPAC SPAIN, S.L.
Avda. Los Frailes, 40 - Nave C
& D
Pol. Ind. Los Frailes
28814 DAGANZO DE ARRIBA
(Madrid)
Spain
Tel: +34 91 884 86 06
Fax: +34 91 884 86 11

**Sweden, Denmark, Norway,
Finland and Iceland**
Enerpac Scandinavia AB
Fabriksgatan 7
412 50 Gothenburg
Sweden
Tel: +46 (0) 31 7990281
Fax: +46 (0) 31 7990010
Inquiries:
Scandinavianinquiries@enerpac.com

**The Netherlands, Belgium,
Luxembourg**
ENERPAC B.V.
Galvanistraat 115, 6716 AE Ede
P.O. Box 8097, 6710 AB Ede
The Netherlands
Tel: +31 318 535 800
Fax: +31 318 525 613
+31 318 535 848
beneluxinquiries@enerpac.com
Technical Inquiries Europe:
techsupport.europe@enerpac.com

**United Kingdom, Ireland
Enerpac Ltd**
Bentley Road South
Darlaston, West Midlands
WS10 8LQ, United Kingdom
Tel: +44 (0)121 50 50 787
Fax: +44 (0)121 50 50 799

**USA, Latin America
and Caribbean**
ENERPAC
P.O. Box 3241
6100 N. Baker Road
Milwaukee, WI 53209 USA
Tel: +1 262 781 6600
Fax: +1 262 783 9562

User inquiries:
+1 800 433 2766
Inquiries/orders:
+1 800 558 0530
Technical Inquiries:
techservices@enerpac.com

ENERPAC
704 W. Simonds
Dallas, TX 75159 USA
Tel: +1 972 287 2390
Fax: +1 972 287 4469

09/30/09

All Enerpac products are guaranteed against defects in workmanship and materials for as long as you own them. For your nearest authorized Enerpac Service Center, visit us at www.enerpac.com