

## Specifications

---

Units:

**Imperial**

Metric

Model Type	Single Wedge Set
Spreader Certification	Not Atex certified
Maximum Spread (in)	4.1
Power Source	Mechanical
Maximum Operating Torque (Ft.lbs)	130
Capacity (imperial tons)	15.7
Tip Clearance (in)	0.24
Jaw Width (in)	2.36
Weight (lbs)	28.7

## Dimensions

---

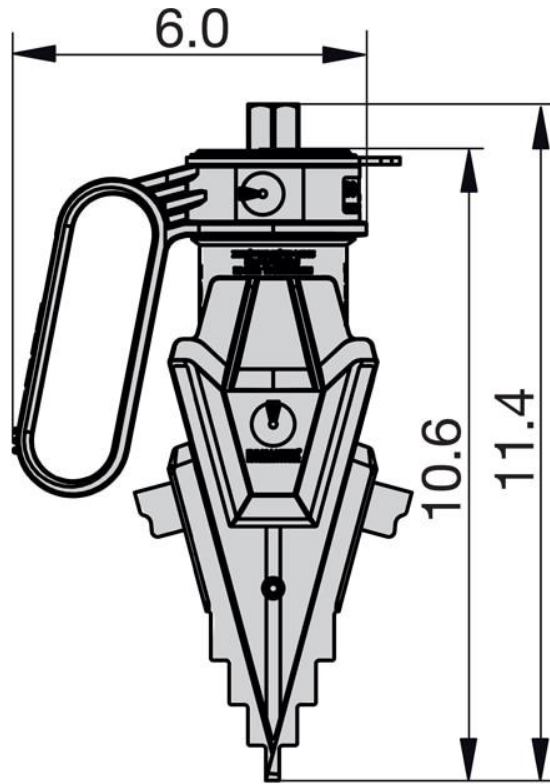
Units:

**Imperial**

Metric

Case Dimensions (in)	22.8 x 13.0 x 6.5
----------------------	-------------------

---



**SWi12/14TM**  
**open**