

Specifications

Units:

Imperial

Metric

Maximum Operating Pressure (psi)	10,000
Model Type	Twin Wedge and Pump Set
Spreader Certification	Not Atex certified
Maximum Spread (in)	4.1
Power Source	External Hydraulic
Capacity (imperial tons)	27
Tip Clearance (in)	0.24
Jaw Width (in)	2.36
Weight (lbs)	72.8

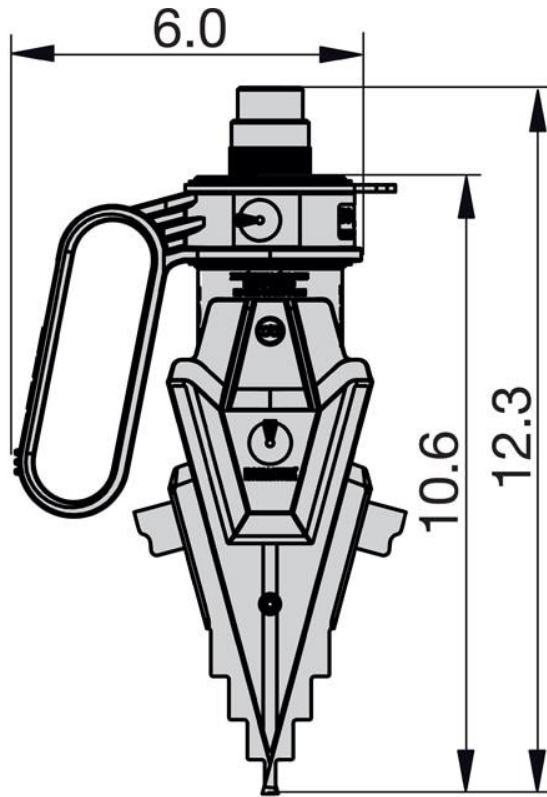
Dimensions

Units:

Imperial

Metric

Case Dimensions (in)	36.2 x 19.7 x 8.1
----------------------	-------------------



SWi20/25TE
closed