

## Specifications

---

Units: **Imperial** Metric

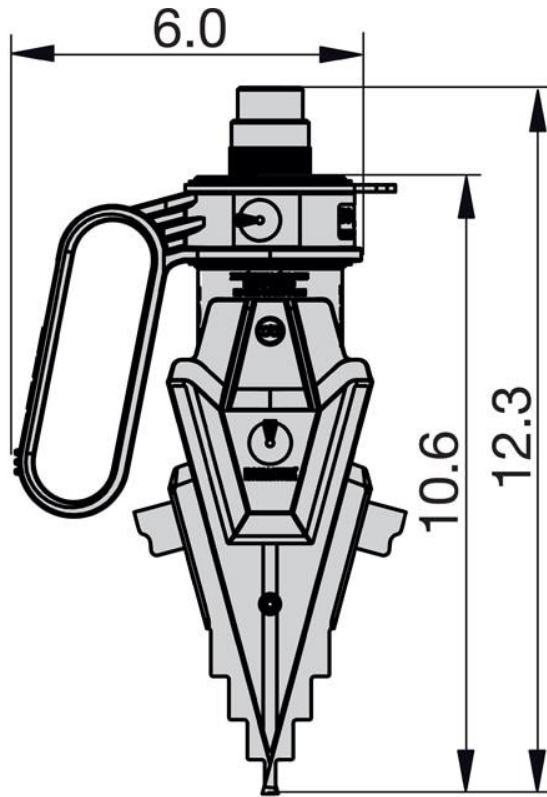
Maximum Operating Pressure (psi)	10,000
Model Type	Single Wedge and Pump Set
Spreader Certification	Not Atex certified
Maximum Spread (in)	4.1
Power Source	External Hydraulic
Capacity (imperial tons)	27
Tip Clearance (in)	0.24
Jaw Width (in)	2.36
Weight (lbs)	45.6

## Dimensions

---

Units: **Imperial** Metric

Case Dimensions (in)	36.2 x 19.7 x 8.1
----------------------	-------------------



**SWi20/25TE**  
**closed**