

## Specifications

---

Units:

**Imperial**

Metric

Maximum Operating Pressure (psi)	10,000
Model Type	Single Wedge Set
Spreader Certification	Not Atex certified
Maximum Spread (in)	4
Power Source	External Hydraulic
Capacity (imperial tons)	8.7
Tip Clearance (in)	0.16
Jaw Width (in)	1.97
Weight (lbs)	19.1

## Dimensions

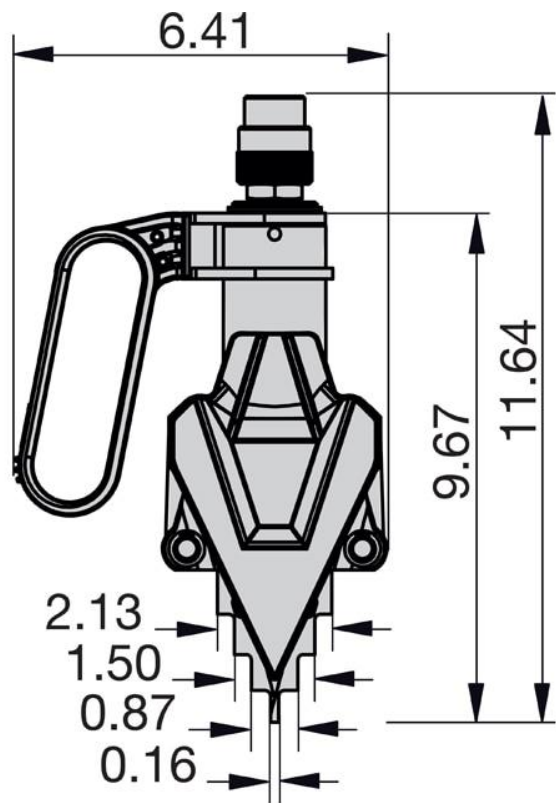
---

Units:

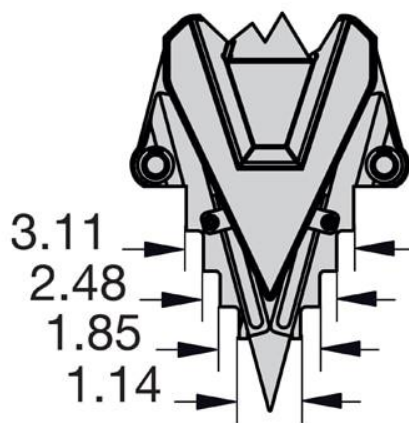
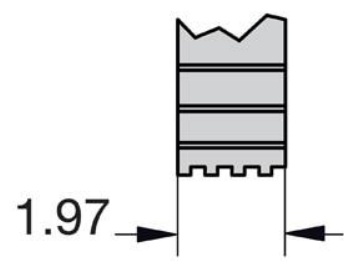
**Imperial**

Metric

Case Dimensions (in)	22.8 x 13.4 x 7.1
----------------------	-------------------



**SWi5TE  
closed**



**SWi5TE  
open**