

Specifications

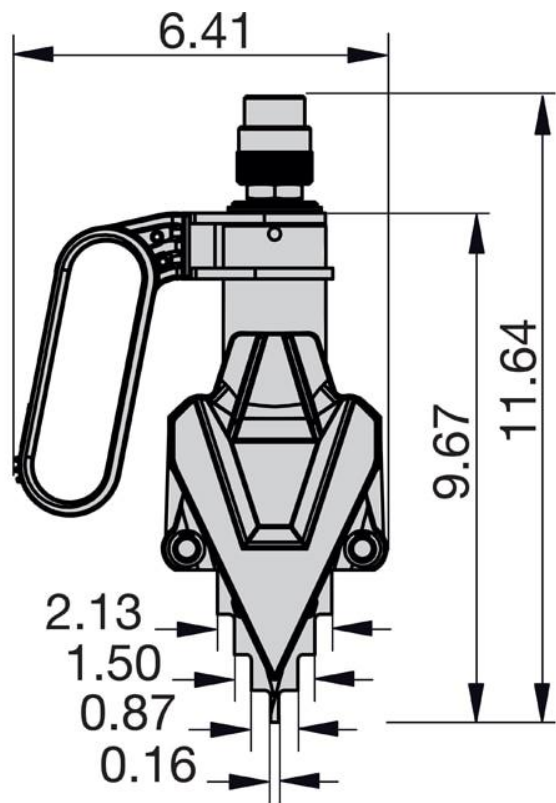
Units: **Imperial** Metric

Maximum Operating Pressure (psi)	10,000
Model Type	Twin Wedge Set
Spreader Certification	Not Atex certified
Maximum Spread (in)	4
Power Source	External Hydraulic
Capacity (imperial tons)	8.7
Tip Clearance (in)	0.16
Jaw Width (in)	1.97
Weight (lbs)	31.7

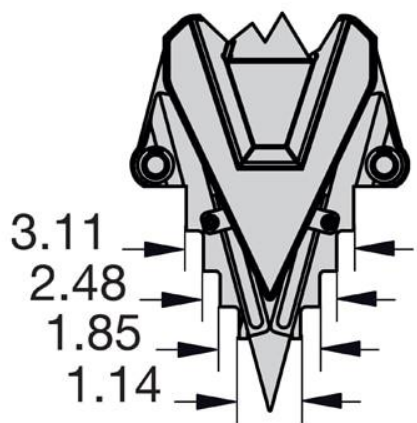
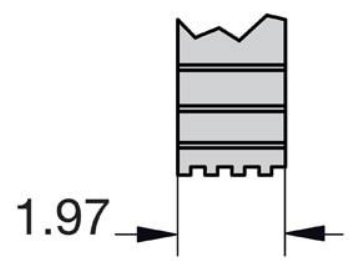
Dimensions

Units: **Imperial** Metric

Case Dimensions (in)	22.8 x 13.4 x 7.1
----------------------	-------------------



**SWi5TE
closed**



**SWi5TE
open**