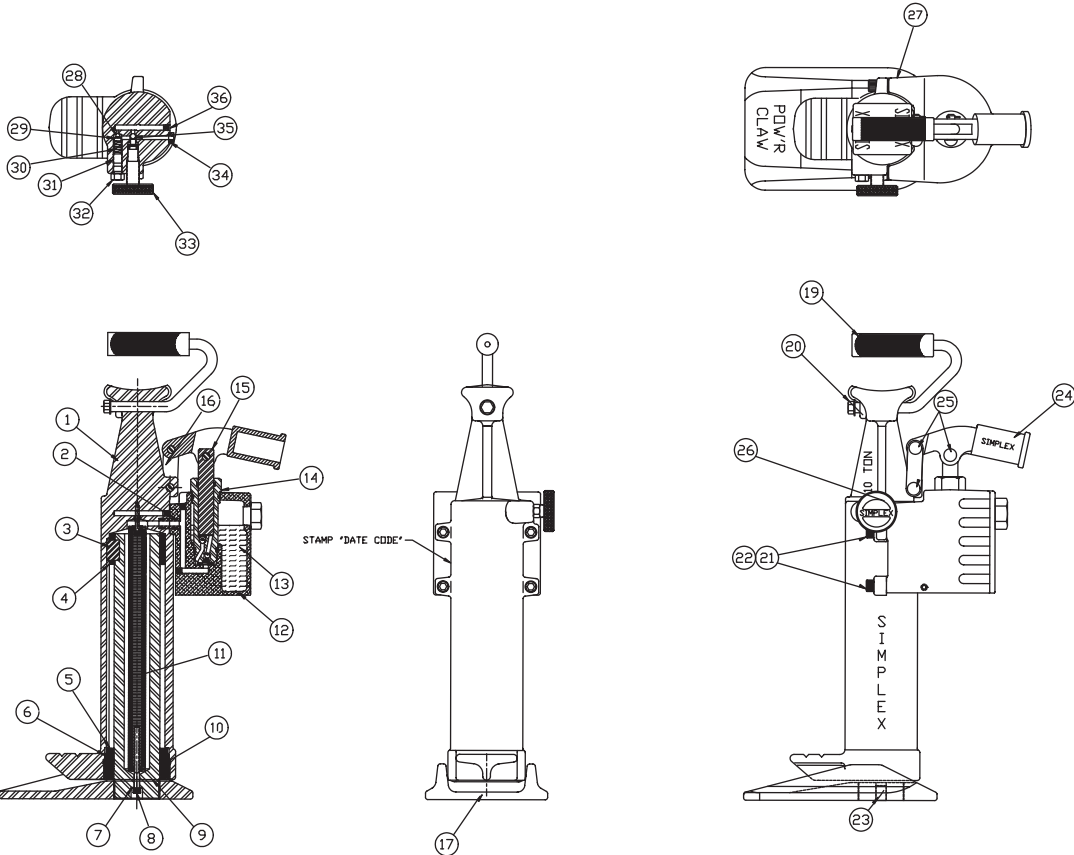




TJH109 TOE JACK REPAIR PART SHEET

PART SHEET # TJH109
REV. A
01/13



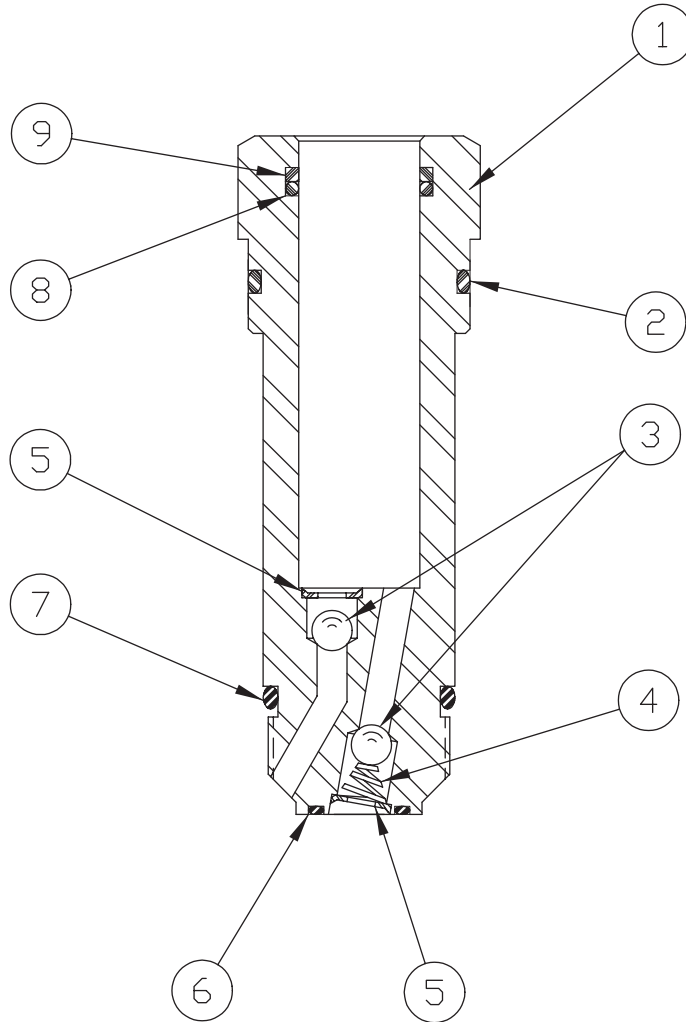
ITEM	PART #	DESCRIPTION	QTY
	18851	LEVER BAR	1.00
01	89941	TOE HOUSING TJ109	1.00
02	40410	VALVE ADAPTER ASSEMB	1.00
03	40065	KEY	1.00
04	40044	UPPER BEARING	1.00
05	40043	LOWER BEARING	1.00
06	*	O-RING 2-3/4 X 3.0 X 3/16	1.00
07	*	GASKET 17/64 X 1/2	1.00
08	40045	SHCS 1/4-20 X 4"	1.00
09	89961	PISTON	1.00
10	*	U-CUP 2-1/4 X 2-5/8	1.00
11	40047	EXTENSION SPRING ASSEMBLY	1.00
12	40409	PUMP BODY ASSM.	1.00
13	A01	OIL RYKON MV BULK	0.03
14	40051	PISTON HOUSING ASSEM	1.00
15	89964	PISTON	1.00
16	89968	PUMP LINK	2.00
17	40565	BASE	1.00
19	40110	HANDLE GRIP ASSEMBLY	1.00

ITEM	PART #	DESCRIPTION	QTY
20	40204	3/8-16 THRD FORM SCR	1.00
21	93594	SHCS 3/8-16 X 1" LG	4.00
22	93943	LOCK WASHER 3/8	4.00
23	40066	KEY	1.00
24	40053	LEVER PUMP	1.00
25	40054	CLEVIS PIN	3.00
26	92540	PIN CLIP 3HJ-18A	3.00
27	89181	WARNING DECAL-HYD.JA	1.00
28	90548	BALL 3/16"	1.00
29	88497	SPRING CAP	1.00
30	66085	SPRG. REL. VAL.	1.00
31	66083	SCREW ADJ	1.00
32	68258	PLUG SAE #4	1.00
33	89972	RELEASE SCREW ASSEMB	1.00
33A	88508	RELEASE KNOB	
33B	89971	RELEASE SCREW	
33C	*	O-RING 5/16 X 1/2	
34	*	GASKET	1.00
35	92549	BALL 1/4"	1.00
36	40049	1/16 PIPE PLUG-FLUSH	1.00
	54200	REPAIR KIT (*=CONTENTS)	1.00



TJH109 TOE JACK REPAIR PART SHEET

40051 PUMP BREAKDOWN



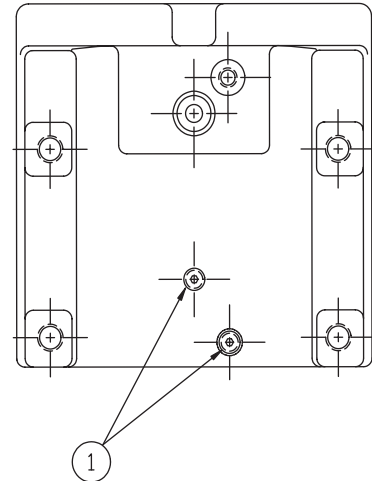
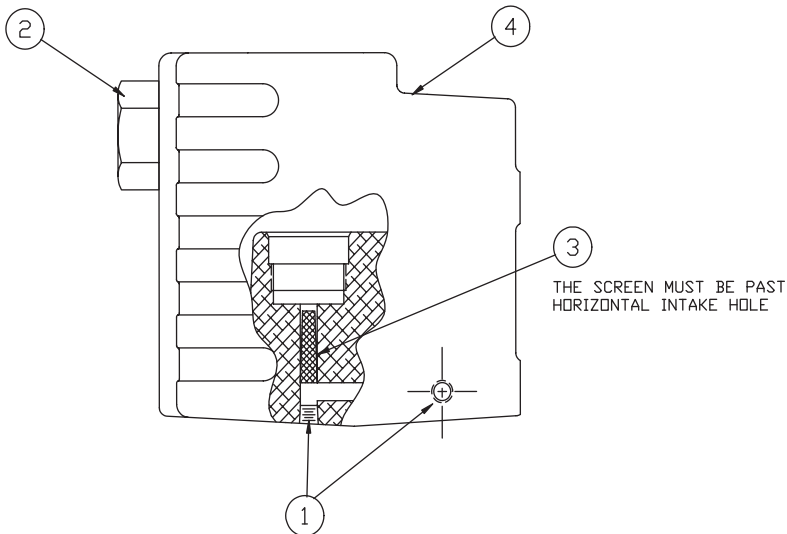
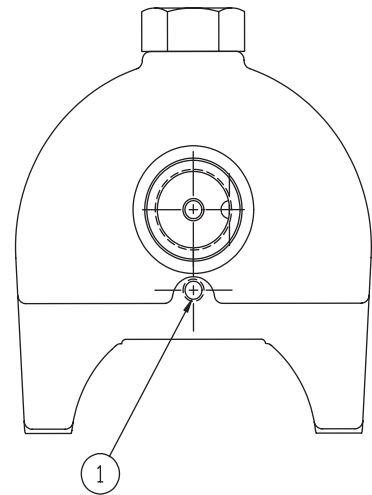
PISTON HOUSING ASSEMBLY		
ITEM	DESCRIPTION	PART NO.
1	40051	PISTON HOUSING ASSEM
2	*	O-RING 1 3/16X 1 3/8
3	92549	BALL 1/4"
4	55753	VALVE SPRG 1000-23-0
5	94978	RET RG CAP J330-39H
6	*	O-RING 1/2X5/8 90 DU
7	*	O-RING 1X1 3/16
8	*	O-RING 3/4X15/16 URE
9	*	BACKUP WASHER 3/4 x 15/16
	* = 54200	SEAL KIT



TJH109 TOE JACK REPAIR PART SHEET

PUMP ASSEMBLY - TJH109

ITEM	PART #	DESCRIPTION	QTY
1	40049	1/16 PIPE PLUG-FLUSH	5.00
2	40056	FILL PLUG	1.00
3	40566	INTAKE SCREEN	1.00
4	89933	PUMP BODY	1.00



SIMPLEX products are warranted to be free of defects in materials and workmanship under normal use for as long as the original purchaser owns them, subject to the guidelines and limitations listed. This warranty does not cover: normal wear & tear, cosmetic items, abuse, overloading, alterations, improper fluid, or use in a manner for which they are not intended. If the customer believes a product is defective, the product must be delivered, or shipped freight prepaid, to the nearest SIMPLEX Authorized Service Center for evaluation and repair.

777 OAKMONT LANE, STE. 800, WESTMONT, IL 60559 - PH - 1-630-590-6990 - FAX - 1-630-590 6955