

▼ TQ700B



Lightweight Electric Torque Wrench Pump



Hydraulic Torque Wrenches

Enerpac offers a complete range of square drive and hexagon cassette torque wrenches.

Page: 239



Pendant Control

The TQ700 comes equipped with a 20-foot pendant cord which allows the user to pressurize the pump from a distance increasing productivity and speed of setup.



Four-Port Manifold

The TQ700 offers an optional four wrench manifold as an accessory (TQM) factory installed. (Add suffix "M" at the end of the model number. For example: TQ700EM)



Twin Torque Wrench Hoses

Use Enerpac THQ-Series twin hoses with 10,000 psi torque wrenches and

torque pumps.

10,000 psi	
6.5 feet long, 2 hoses	THQ702T
19.5 feet long, 2 hoses	THQ706T
39 feet long, 2 hoses	THQ712T



Gauge Overlay Kit

Gauge overlay kits are also available separately.

GT4015Q includes overlays for all S-, W-, RSL-, DSX and HMT-Series Torque Wrenches.

- Optimized flow technology delivers up to 50% faster bolting than competing pumps
- Compact and lightweight design fits through tight openings and provides easy handling
- Built-in protection for controls, gauge, and pendant for job-site durability
- IP55 rating for superior dust and water protection
- Advanced brushless motor provides for quiet, continuous operation, high voltage tolerance, and low maintenance
- Heat exchanger prevents breakdown of oil during heavy usage in hot environments
- Simple pressure setting and convenient pendant control for hassle-free operation

▼ The TQ700B and the W-Series wrenches are a productive combination in wind applications.



Electric Torque Pumps

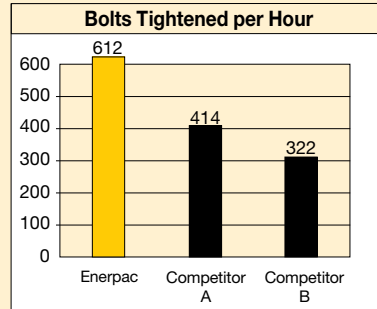


TQ700 Series Pump Applications

The TQ700 Series pump is ideal for powering hydraulic wrenches for the Power Generation and Wind Markets.

Bolting speed is more complex than how much flow per minute the pump produces. The key is optimizing the flow rate across the entire bolting cycle. With more oil flowing at the right time and at the right volume, you achieve the optimized flow for a hydraulic bolting system.

The result of this optimized flow is more bolts tightened faster and a more productive work team.



Internal laboratory testing based on standard torquing procedure on a pipe flange with 14, 1 1/8" bolts.

TQ Series



Reservoir Capacity:

1 gallon

Flow at Rated Pressure:

30 in³/minute

Maximum Operating Pressure:

10,000 psi



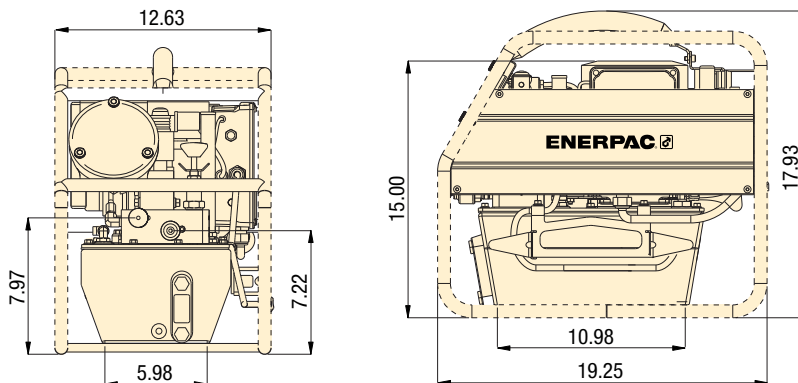
IP55 Rating for Superior Dust and Water Protection

The IP Code (or Ingress Protection Rating) classifies and rates the degrees of protection provided against the intrusion of solid objects and water in mechanical casings and electrical enclosures.

An IP55 rating means the TQ700 offers complete protection against contact with mechanical and electrical components, and that dust will not enter in a sufficient quantity to interfere with the operation of the equipment.

The IP55 rating also means water jets sprayed against the TQ700 from any direction will not have any harmful effects.

Dimensions shown in inches.



SELECTION CHART

For Use with Torque Wrenches	Pressure Rating (psi)	Model Number ¹⁾	Useable Oil Capacity (gal)	Motor Size (hp)	Motor Electrical Specifications (Volt - Ph - Hz)	Sound Level (dBA)	Wt. (lbs)
All S, W, RSL, DSX & HMT-Series wrenches	10,000	TQ700B	1	1.0	115 - 1 - 50/60	82 - 85	68
	10,000	TQ700E ²⁾	1	1.0	230 - 1 - 50	82 - 85	66
	10,000	TQ701 ³⁾	1	1.0	230 - 1 - 60	82 - 85	66

1) All models meet CE safety requirements and all TÜV requirements

2) European plug and CE EMC directive compliant

3) With NEMA 6-15 plug

▼ The TQ700B and the W-Series wrenches are a productive combination.

