

Specification

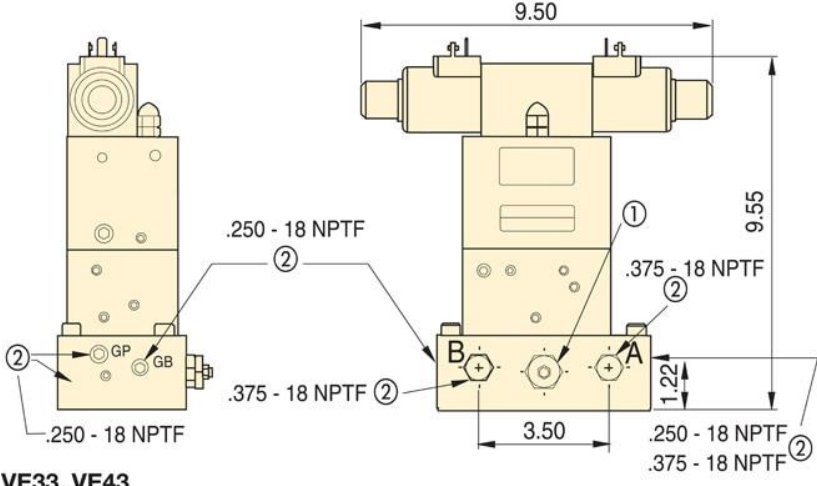
Units:

Imperial

Metric

Maximum Operating Pressure (psi)	10,000
Valve Type	3-Way, 3-Position, Tandem Center, Locking
Function	Advance / Hold / Retract
Cylinder Compatibility	Single-Acting
Mounting Location	Pump Mounted
Valve Operation	Solenoid
Flow Capacity (gal/min)	4.5
Pendant Compatibility	ZCP3
Voltage	24 VCC
Weight (lbs)	20.3

Dimension



VE33, VE43