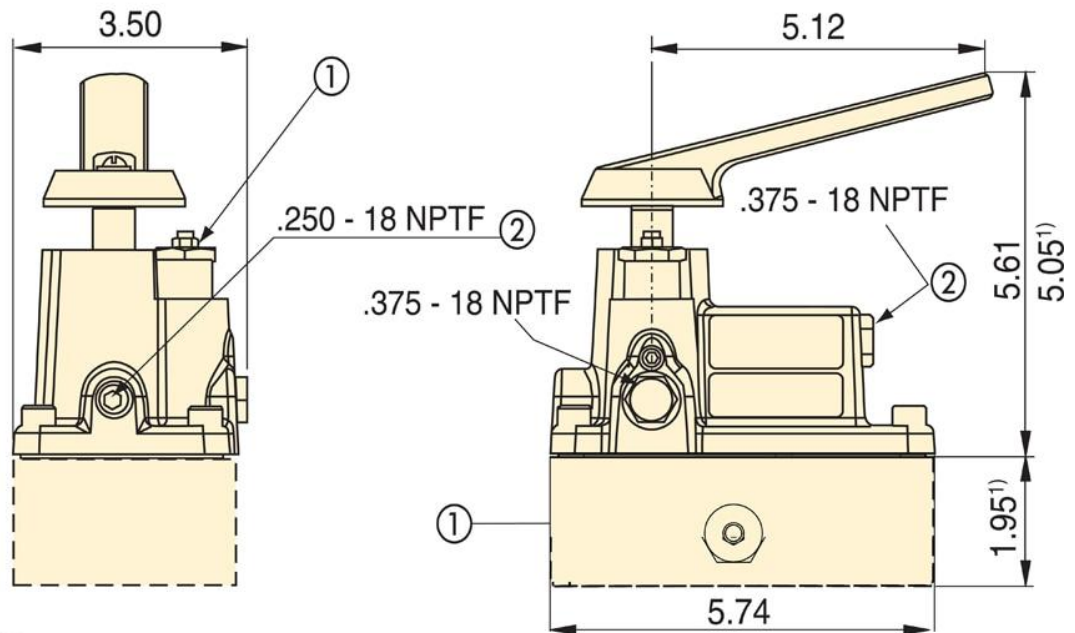


Specifications

Units: **Imperial** Metric

Maximum Operating Pressure (psi)	10,000
Valve Type	3-Way, 2-Position
Function	Advance / Retract
Cylinder Compatibility	Single-Acting
Mounting Location	Pump Mounted
Valve Operation	Manual
Flow Capacity (gal/min)	4.5
Weight (lbs)	5.6

Valve dimensions in inches.



VM22, VM32

¹⁾VM22 only

