
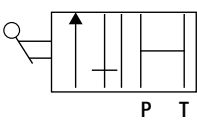
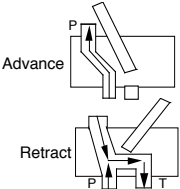

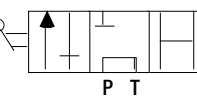
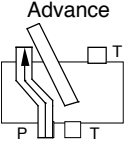

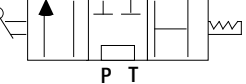
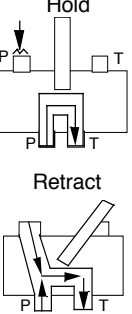

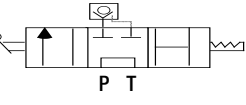
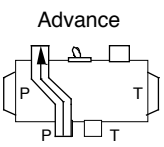

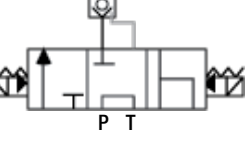
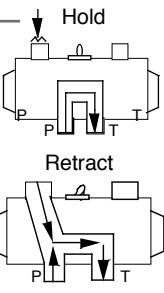

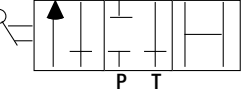
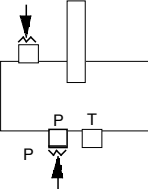

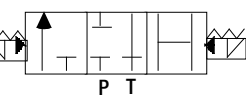
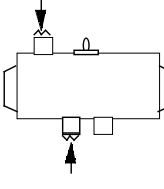



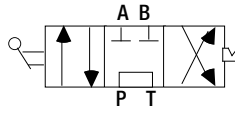
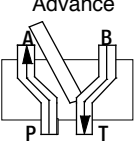
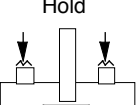
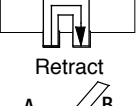
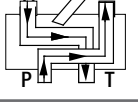

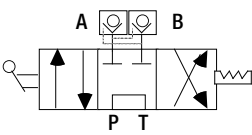
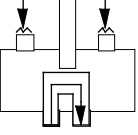
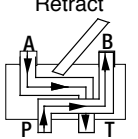

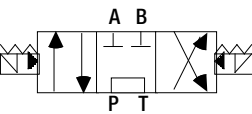
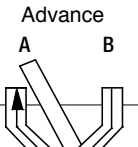
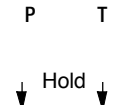
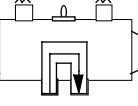
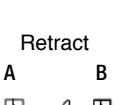

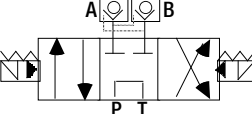
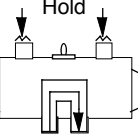
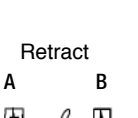

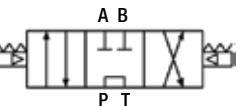
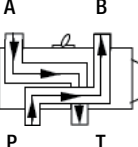

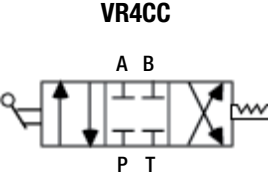
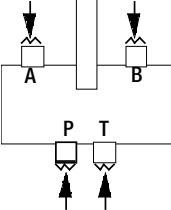

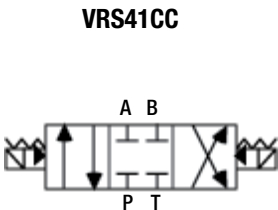
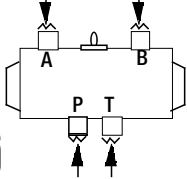
SYSTEM ACCESSORIES

2 & 3 Way Control Valves



| Model | Description | Hydraulic Schematic | Functional Flow Schematic |
|---|---|---|---|
|  | VP2 Pump mounted, 2 position, 2 way valve is ideal for pressing, punching, crimping, staking or pulling applications when load holding is not needed. |  |  |
|  | VP3 Pump mounted, 3 position, 3 way valve is commonly used with single-acting cylinders for lifting applications or production work. The center position holds the load with the pump motor on or off. |  |  |
|  | VPL3 Pump mounted, 3 position, 3 way valve is the same as VP3, but with a built in pilot check valve. The VPL3 provides positive load holding in the center position, and will not allow pressure drop while shifting. Recommended for prestressing, post tensioning and precision holding applications. |  |  |
|  | VPS31 Pump mounted, electric solenoid actuated, 3 position, 3 way valve with remote pendant switch allows remote operation of system directional control. <i>For 230V, Use Model Number VPS32</i> |  |  |
|  | VPSL31 Pump mounted, electric solenoid actuated, 3 position, 3 way valve with remote pendant switch is the same as the VPS3, but with a built in pilot operated check valve. The VPSL31 provides positive load holding in the center position, and will not allow pressure drop while shifting. <i>For 230V, Use Model Number VPSL32</i> |  |  |
| Remote Mounted Valves - For Single Acting Cylinders & Tools | | | |
|  | VRM3 & VR3CC VRM3 is remote mounted, manual valve, 3 position, 3 way tandem center. (reference VP3 schematic) VR3CC is remote mounted, manual valve, 3 position, 3 way closed center. |  |  |
|  | VRS31 & VRS31CC VRS31 is remote mounted, solenoid valve, 3 position, 3 way tandem center. (reference VPS31 schematic) <i>For 230V, Use Model Number VRS32</i> VRS31CC is remote mounted, solenoid valve, 3 position, 3 way closed center. <i>For 230V, Use Model Number VRS32CC</i> |  |  |

System Accessories






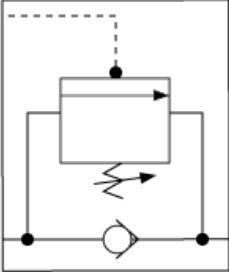

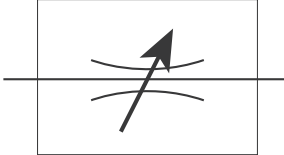

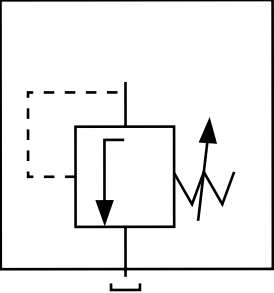

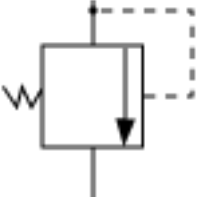
| Model | Description | Hydraulic Schematic | Functional Flow Schematic |
|---|---|---|---|
|  | VP4 Pump mounted, 3 position, 4 way valve is used with double-acting cylinders and tools. This valve controls direction of oil for advancing, holding & retracting. The center position holds the load with the pump motor running or off. |  |  Advance  Hold  Retract  |
|  | VPL4 Pump mounted, 3 position, 4 way valve is the same as VP4, but with a built in pilot check valve. The VPL4 provides positive load holding in the center position, and will not allow pressure drop while shifting. Recommended for prestressing and precision holding applications. |  |  Retract  |
|  | VPS41 Pump mounted, electric solenoid actuated, 3 position, 4 way valve with remote pendant switch. Same as VP4, but allows remote operation of directional control. <i>For 230V, Use Model Number VPS42</i> |  |  Advance  Hold  Retract  |
|  | VPSL41 Pump mounted, electric solenoid actuated, 3 position, 4 way valve with remote pendant switch functions the same as VPS41, but with a built in pilot operated check valve. The VPSL41 provides positive load holding in the center position, and will not allow pressure drop while shifting. <i>For 230V, Use Model Number VPSL42</i> |  |  Retract  |
|  | VPA4 Pump mounted, air solenoid actuated, 3 position, 4 way valve with remote pendant switch. Same as VP4, but allows remote operation of directional control. |  |  |
| Remote Mounted Valves - For Double Acting Cylinders & Tools | | | |
|  | VR4 & VR4CC VR4 is remote mounted, manual valve, 3 position, 4 way tandem center. (reference VP4 schematic) VR4CC is remote mounted, manual valve, 3 position, 4 way closed center. |  |  |
|  | VRS41 & VRS41CC VRS41 is remote mounted, solenoid valve, 3 position, 4 way tandem center. (reference VPS41 schematic) <i>For 230V, Use Model Number VRS42</i> VRS41CC is remote mounted, solenoid valve, 3 position, 4 way closed center. <i>For 230V, Use Model Number VRS42CC</i> |  |  |

SYSTEM ACCESSORIES

In-Line System Valves

SIMPLEX

System Accessories

| Model | Description | Hydraulic Schematic |
|---|---|---|
|  | <p>Check Valve automatically locks load in raised position as plunger is being extended. Protects against dropping the load due to pressure loss. Required for multiple cylinder lifting from one source. (Includes F1 - 3/8" porting Hex Nipple).</p> |  |
|  | <p>Check Valve is a V10E with polarized high flow couplers for direct, rapid mounting to cylinder couplers.</p> |  |
|  | <p>Over Center Check Valve can be mounted at the cylinder to hold the load in the event of system failure. Unlike other piloted check valves, the V2 provides controlled retraction without "chatter". Note: When used in multiple cylinder systems, contact Simplex for minimum pump requirements.</p> |  |
|  | <p>Shut-Off Valve is a needle-type valve for sustained load-holding and flow control. Use for positive shut-off or throttling. (3/8" porting NPTF)</p> |  |
|  | <p>In-line Adjustable Relief Valve is for in-line mounting into hydraulic systems. Accurately controls maximum pressure from 800 to 10,000 psi. Turn handle until gauge indicates desired working pressure - tighten lock nut. Valve automatically opens and bypasses excess flow from system when preset pressure is reached. (Includes tubing & fittings).</p> |  |
|  | <p>Safety Relief Valve threads into top port of double-acting cylinders, or inline on hydraulic systems, for protection against over pressurizing. Pressure rating is set to 10,500 psi. (3/8" porting NPTF) 3/8"m - 3/8" f</p> |  |