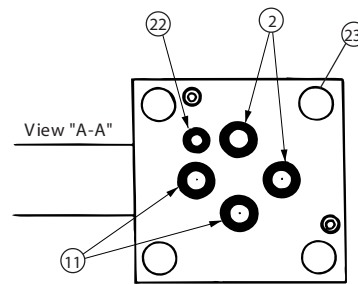
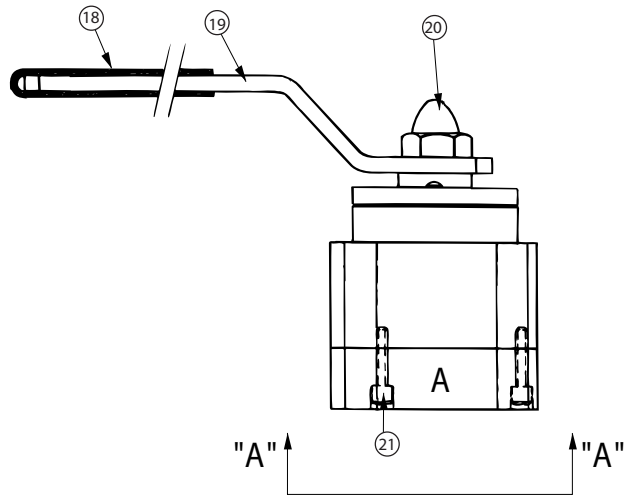
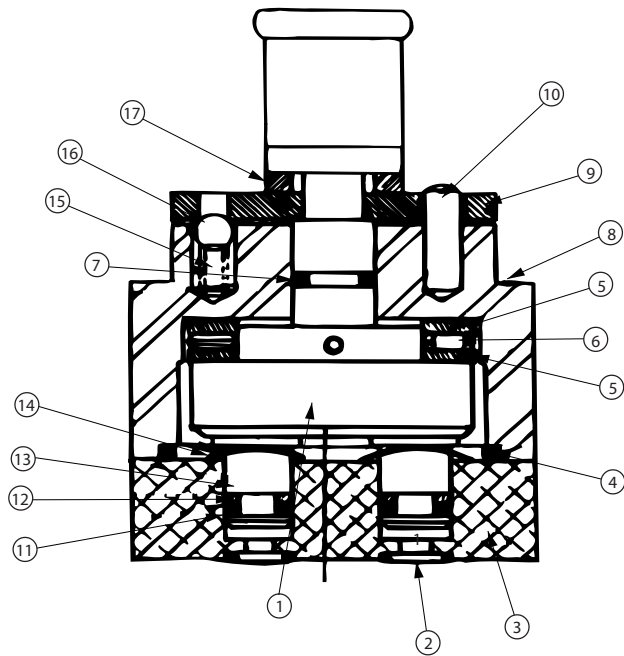




VP3 Valve Assembly REPAIR PART SHEET

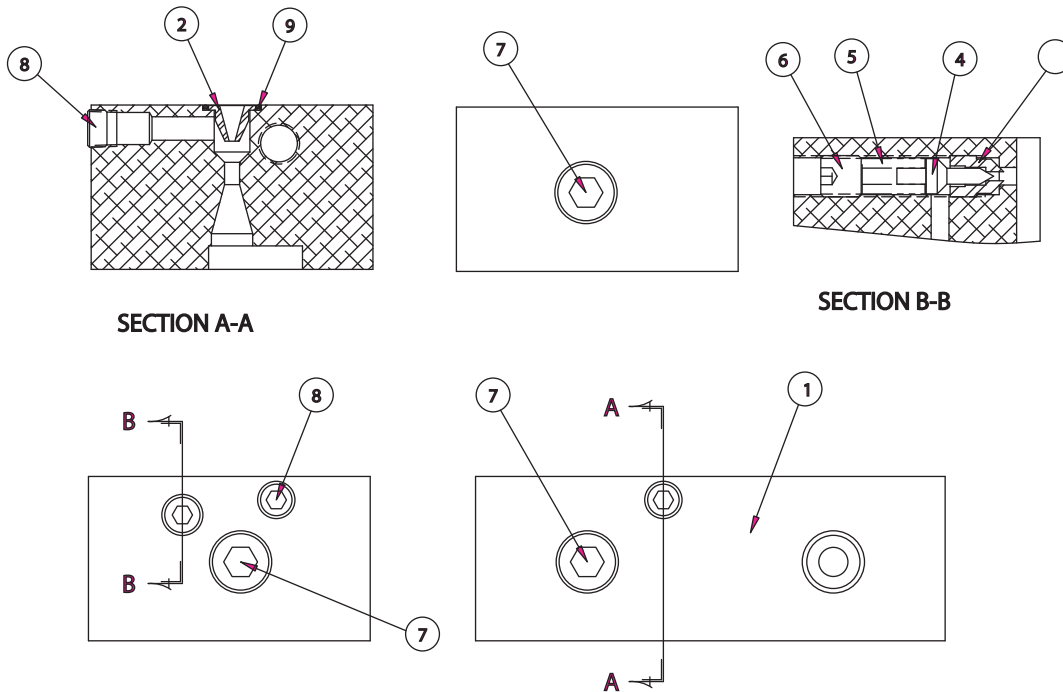
PART SHEET #: VP3
REV. A
01/05



ITEM	PART NO.	QTY. 68349	DESCRIPTION
1	68160	1	Rotor Assembly
2	56020112	2	O-Ring
3	68180	1	Subplate-Valve.
4	5602225	1	O-Ring
5	68026	2	Thrust Washer
6	68155	1	Thrust Bearing
7	5602012	1	O-Ring
8	68035	1	Upper Valve Blk.
9	68024	1	Detent & Stop Plt.
10	93804	1	Driv-Lok Pin
11	5602011	6	O-Ring
12	65882	4	Back-up Washer
13	68181	4	Shear Seal
14	68028	4	Spring Washer
15	68025	1	Detent Spring
16	92549	1	Ball .250 Dia.
17	68032	1	Washer-Handle
18	68157	1	Flat Grip
19	68033	1	Handle
20	68034	1	Acorn Nut 1/2-20
21	85317	2	Soc. Hd. Capscrew
22	5602008	1	O-Ring
23	93598	4	Valve Mounting



VP3 Manifold PART LIST



ITEM	PART #	DESCRIPTION	QTY
01	68196	VALVE MAN. 3 WAY RET	1.00
02	68197	NOZZLE-VALVE	1.00
03	68004	SEAT - EXT RELIEF	1.00
04	68003	CONE - EXT RELIEF	1.00
05	66085	SPRING - RELIEF VALVE	1.00
06	66083	RELIEF VALVE ADJUSTING SCREW	1.00
07	84084	PIPE PLUG 3/8" FLUSH	3.00
08	81093	PIPE PLUG 1/8" FLUSH	2.00
09	5602014	O-RING 1/2X5/8	1.00



SIMPLEX products are warranted to be free of defects in materials and workmanship under normal use for as long as the original purchaser owns them, subject to the guidelines and limitations listed. This warranty does not cover: normal wear & tear, cosmetic items, abuse, overloading, alterations, improper fluid, or use in a manner for which they are not intended. If the customer believes a product is defective, the product must be delivered, or shipped freight prepaid, to the nearest SIMPLEX Authorized Service Center for evaluation and repair.

2525 GARDNER ROAD * BROADVIEW * ILLINOIS * 60155 * PHONE (708) 865-1500 * FAX (708) 865-0894