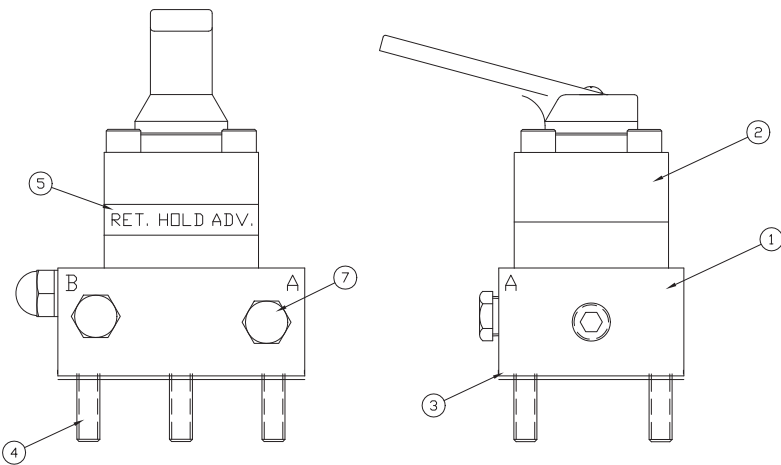




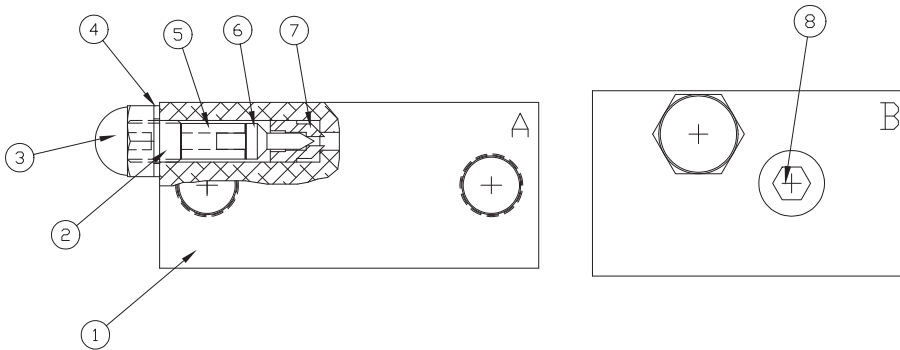
VP4 VALVE ASSEMBLY REPAIR PART SHEET

PART SHEET #: VP4
REV. A
04/10



ITEM #	DESCRIPTION	PART #	QTY
1	4 WAY MANIFOLD ASSM	69100	1
2	4 W VAL ASM MAN MTG	69101	1
3	VALVE GASKET	69242	1
4	SHCS 3/8-16 X 2 1/2	93599	3
5	LABEL, POSITION	68069	1
7	HEX ST. PIPE PLUG 3/8 NPTF	87145	2
NS	SIMPLEX LOGO	88187	1

(69100) 4 WAY STANDARD

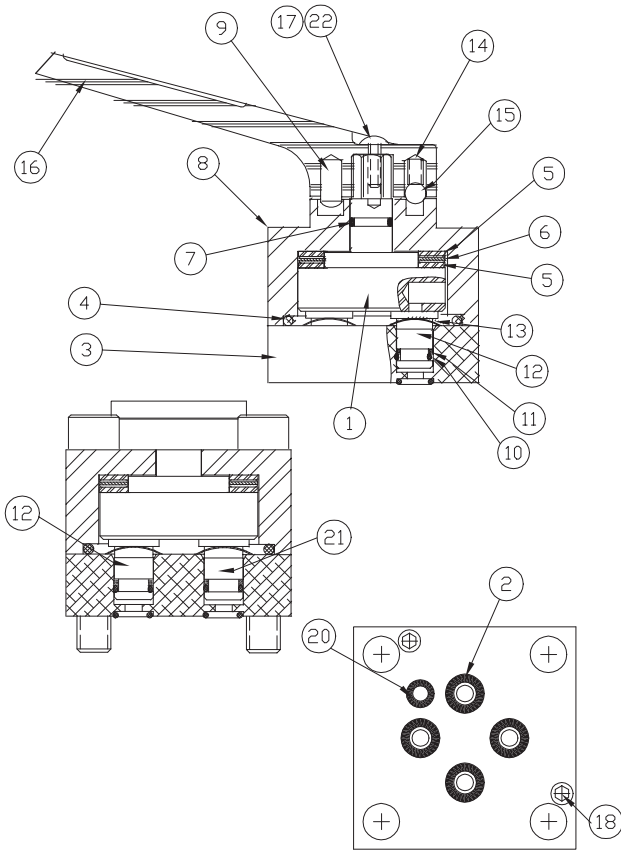


ITEM#	DESCRIPTION	PART#	
		4 WAY MAN. ASM	QTY.
01	VALVE MANIFOLD	69099	1.00
02	ADJUSTING SCREW	69104	1.00
03	ACORN NUT	69105	1.00
4	WASHER	69124	1.00

ITEM#	DESCRIPTION	PART#	
		4 WAY MAN. ASM	QTY.
05	SPRING - RELIEF VALVE	66085	1.00
06	CONE - EXT RELIEF	68003	1.00
07	SEAT - EXT RELIEF	68004	1.00
08	PIPE PLUG	84084	2.00

VP4 MANUAL VALVE ASSEMBLY PART LIST

(69101) 4 WAY MANUAL



ITEM #	DESCRIPTION	PART#	
		4 WAY VAL	QTY.
01	VALVE ROTOR	43762	1.00
2	O-RING	56020112	4.00
03	SUBPLATE- VALVE	68180	1.00
04	O-RING	5602225	1.00
05	THRUST WASHER	68026	2.00
06	THRUST BEARING	68155	1.00
07	O-RING	5602012	1.00
08	UPPER VALVE BLOCK	69135	1.00
09	DRIVE LOK PIN	93804	1.00
10	O-RING	5602011	3.00
11	WASHER	65882	3.00
12	SHEAR SEAL	68029	1.00
13	SPRING WASHER	68028	3.00
14	DETENT SPRING	68025	1.00
15	BALL	92549	1.00
16	VALVE HANDLE	69091	1.00
17	SCREW	44595	1.00
18	SCREW	85317	2.00
NS	SCREW	93598	4.00
20	O-RING	5602008	1.00
21	SHEAR SEAL	68181	2.00
22	LOCKWASHER	Y0010765	1.00

PACKING KIT 3 & 4 WAY MANUAL VALVE
(* = COMPONENTS) -- PART # 54490

SIMPLEX products are warranted to be free of defects in materials and workmanship under normal use for as long as the original purchaser owns them, subject to the guidelines and limitations listed. This warranty does not cover: normal wear & tear, cosmetic items, abuse, overloading, alterations, improper fluid, or use in a manner for which they are not intended. If the customer believes a product is defective, the product must be delivered, or shipped freight prepaid, to the nearest SIMPLEX Authorized Service Center for evaluation and repair.

2525 GARDNER ROAD * BROADVIEW * ILLINOIS * 60155 * PHONE (708) 865-1500 * FAX (708) 865-0894